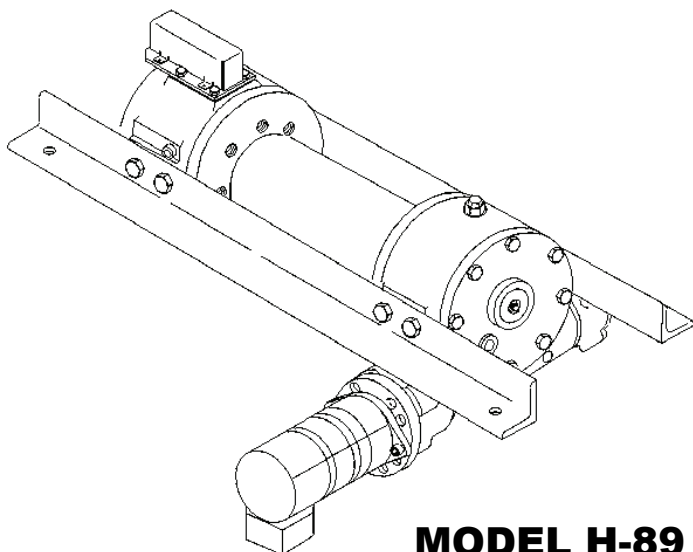




**OPERATING, SERVICE,  
AND  
MAINTENANCE MANUAL**

English (Original Instructions)..... 1  
Francais (Translation of the Original Instructions).... 25  
Deutsch (Translation of the Original Instructions)..... 48  
Espanol (Translation of the Original Instructions) .... 72



**MODEL H-89 WINCH**

**INTENDED USE: VEHICLE RECOVERY AND PULLING OF LOADS**

**CAUTION: READ AND UNDERSTAND THIS MANUAL BEFORE INSTALLATION AND OPERATION OF WINCH. SEE WARNINGS!**



**Ramsey Winch Company**

P.O. Box 581510 - Tulsa, OK 74158-1510 USA

Phone: (918) 438-2760 - Fax (918) 438-6688

Visit us at <http://www.ramsey.com>

**Ramsey Authorized Representative in the Community:**  
(Please contact for regulatory inquiries only.)


Alura Group BV  
P.O. Box 18626  
2502 EP The Hague  
The Netherlands  
Tel: (31) (0) 70 362-4896  
Fax: (31) (0) 70 346-7299



4707 N. Mingo

Tulsa, Oklahoma 74117

(918) 438-2760

<b>EC DECLARATION OF CONFORMITY</b> as defined by Machinery Directive 2006/42/EC  Here with we declare that winch model H 89 complies with the following directive provided that the USER complies with all responsibilities described in the Owner's Manual: 2006/42/EC Applied harmonized standards: EN 14492-1:2006 Power-Driven Winches ISO 9001:2000 Quality Management Systems Requirements	<b>DÉCLARATION DE CONFORMITÉ EC</b> aux termes de la directive Machines 2006/42/EC  Nous déclarons par la présente que le modèle de treuil H 89 est conforme à la directive suivante, sous réserve que l'UTILISATEUR ait assumé toutes les responsabilités figurant dans le manuel de l'utilisateur : 2006/42/EC Normes harmonisées appliquées : EN 14492-1:2006 Treuils motorisés ISO 9001:2000 Systèmes de gestion de la qualité - Exigences
<b>EC-KONFORMITÄTSEKTLÄRUNG</b> gemäß Maschinenrichtlinie 2006/42/EC Hiermit erklären wir, dass das Windenmodell H 89 der folgenden Richtlinie entspricht, sofern der BENUTZER alle Anweisungen im Benutzerhandbuch befolgt: 2006/42/EC Angewandte harmonisierte Normen: EN 14492-1:2006 Kraftgetriebene Winden ISO 9001:2000 Qualitätsmanagementsysteme - Anforderungen	<b>DECLARACIÓN EC DE CONFORMIDAD</b> según se define en la directiva de máquinas 2006/42/EC Con la presente declaramos que el modelo de cabestrante H 89 se halla en conformidad con la siguiente directiva siempre que el USUARIO cumpla todas las responsabilidades descritas en el Manual del propietario: 2006/42/EC Normas armonizadas aplicadas: EN 14492-1:2006 Cabestrantes accionados mecánicamente ISO 9001:2000 Requisitos de los Sistema de gestión de la calidad
Ramsey Authorized Representative in the Community / Ramsey Représentant autorisé dans la comuauté / Ramsey Bevollmächtigter in der Europäischen Union / Ramsey Representante autorizado en la comunidad.  (Please contact for regulatory inquiries only. / Veuillez prendre contact uniquement pour des questions réglementaires.) (Bitte nur bei Regulierungsfragen kontaktieren. / Póngase en contacto sólo por cuestiones de reglamentación.)  Alura Group BV P.O. Box 18626 2502 EP The Hague The Netherlands Tel: (31) (0) 70 362-4896 Fax: (31) (0) 70 346-7299	
Serial Number / Numéro de série/ Seriennummer/ Número de Serie: _____	
Signature / Signature / Unterschrift / Firma:   _____ Todd Brady Engineering Manager / Directeur technique/ Technischer Leiter/ Director de ingeniería	Date / Date / Datum / Fecha:  06/13/11 _____

## **Contents**

Warnings .....	3
User's Responsibility for CE Compliance .....	3
Techniques of Operation .....	4-5
Winch Maintenance .....	5
Winch Mounting .....	5
Rope Installation .....	6
Adjusting the Oil Cooled Holding Brake .....	7
Servicing the Oil Cooled Holding Brake .....	7
Re-assembling and Checking the Brake .....	8
Test of Proper Brake Assembly .....	8
Adjustment of Clutch Air Shifter .....	9
Troubleshooting Guide .....	10
Hydraulic System Requirements .....	11
Typical Hydraulic Layout .....	11
Performance Charts.....	12
Instructions for Overhaul .....	13-17
Dimensional Drawings .....	18-19
Parts Drawings and Parts Lists .....	20-23
CE Declaration of Conformity .....	24

<b>Rated Line Pull</b>	89,0 kN 20,000 (lb)	<b>Noise Level: 80 dB(A) at No Load</b>		
		<b>Gear Reduction</b>		40:1
<b>Layer of Rope</b>		1	2	3
*Rated line pull per layer	kN (lb)	89,0 20,000	73,8 16,600	63,2 14,200
*Rope Capacity Per Layer	m* (ft)*	10 35	23 75	38 125
*Line speed at 114 LPM (30 GPM)	MPM (FPM)	5,4 18	6,3 21	7,2 24
* These specifications are based on recommended 16 mm (.63 in) 1960 grade wire rope and a 244 cc (14.9 cu in)/Rev. motor.				

## Warnings

- The user shall ensure that the operating personnel are given the necessary training.
- The operator shall always work in compliance with the operating instructions.
- Clutch must be fully engaged before starting the winch operation.
- Do not disengage clutch under load.
- Stay out from under and away from raised loads.
- Stand clear of rope while pulling. Do not try to guide rope.
- It is forbidden to move loads above the rated capacity of the winch.
- Do not try to move fixed or obstructed loads.
- Do not use winch to lift, support, or otherwise transport people.
- A minimum of 2 wraps of rope around the drum barrel is necessary to hold load.
- Avoid conditions where load shifts or jerks occur. Excessive “inching” shall be avoided.

## USER'S RESPONSIBILITY FOR CE COMPLIANCE

1. Use only a motor spool (open center) control valve per Hydraulic System Requirements.
2. If a remote-operated winch control valve is used, refer to Hydraulic System Requirements for Emergency Stop components to be installed.
3. Adjust system relief pressure per Hydraulic System Requirements.
4. Install the required hydraulic motor and “A” port motor control valve as shown in the Hydraulic System Requirements.
5. Mount winch per Winch Mounting Instructions.
6. Install 16 mm (.630 inch), grade 1960 wire rope. Maximum rope length of 38 m (125 ft) for three layers maximum. Attach rope to the drum per Rope Installation Instructions. Hook must have a safety latch and a minimum breaking strength of 225 kN.

## TECHNIQUES OF OPERATION

The best way to get acquainted with how your winch operates is to make test runs before you actually use it. Plan your test in advance. Remember, you hear your winch, as well as see it operate. Get to recognize the sounds of a light steady pull, a heavy pull, and sounds caused by load jerking or shifting. Gain confidence in operating your winch and its use will become second nature with you. The uneven spooling of rope, while pulling a load, is not a problem, unless there is a rope pileup on one end of drum. If this happens reverse the winch to relieve the load and move your anchor point further to the center of the vehicle. After the job is done you can unspool and rewind for a neat lay of the rope.

**The Dow-Lok®** clutch provides free spooling and clutch engagement with the rope drum. With the clutch disengaged, the rope can be freespoiled off the drum. For winching in the load, the clutch must be fully engaged with the drum.

**The Dow-Lok®** clutch is latched into either the engaged, "IN" position, or the disengaged "OUT" position, by a pin at the bottom of the shifter handle which fits into latching slots.

### TO UNLATCH CLUTCH

Run winch in the reverse (reel out) direction until the load is off the rope. Grasp handle firmly, while pushing on the top of the handle with the thumb for leverage, lift until pin clears latching slots.

### TO ENGAGE CLUTCH

Unlatch and pull handle toward "IN" position as far as it will go. In order to attain full engagement, internal elements of the clutch must be aligned. This alignment will take place when the rope drum or rope drum shaft turns a maximum of 1/4 revolution.

The clutch will automatically spring into engagement and pin will drop into "IN" slots when this alignment takes place. **Do not attempt to pull a load unless pin is fully into "IN" slots. Keep clear of spring loaded handle during automatic engagement.**

### TO DISENGAGE CLUTCH

Unlatch and push handle to "OUT" position and fully insert pin into latching slots. Do not disengage the clutch under load.

**The Dow-Lok® air-shifter clutch** provides free spooling and clutch engagement with the rope drum. With the clutch disengaged, the rope can be freespoiled off the drum. For winching in the load the clutch must be fully engaged with the drum.

### TO ENGAGE CLUTCH

There must be a minimum of 0,5 m (1.5 ft) of slack in the rope before attempting to engage the clutch. This will allow the drum to rotate a minimum of 1/4 turn allowing engagement of the clutch before pulling the load. With this slack in the rope, exhaust air pressure from the air shift cylinder. Run the winch in the "IN" direction until the clutch starts to turn. Clutch must be fully engaged before starting the winch operation.

### TO DISENGAGE CLUTCH

Run winch in the "OUT" direction until there is no load on the rope. Apply 4,8-6,2 bar (70-90 psi) to the air shift cylinder to disengage the clutch. **Do not disengage the clutch under load.**

**The Dow-Lok® low-profile shifter clutch** provides free spooling and clutch engagement with the rope drum. With the clutch disengaged, the rope can be freespoiled off the drum. For winching in the load the clutch must be fully engaged with the drum.

## TO ENGAGE CLUTCH

Raise the handle so the notch clears the bracket, and pull handle out as far as it will go. The clutch will automatically spring into engagement and latch when the clutch aligns with the drum shaft. In order to attain full engagement, internal elements of the clutch **MUST** be aligned. This alignment will take place when rope drum or rope drum shaft turns a maximum of 1/4 revolution. Do not attempt to pull a load unless notch in shifter shaft is securely latched. Keep clear of spring-loaded handle during automatic engagement.

## TO DISENGAGE CLUTCH

Raise handle so notch clears bracket. Push handle in and latch the shaft notch onto bracket. Do not disengage the clutch under load.

## WINCH MAINTENANCE

Adhering to the following maintenance schedule will keep your winch in top condition and performing as it should with a minimum of repair.

### A. WEEKLY

1. Check the oil level and maintain it to the oil level plug. If oil is leaking out, determine location and repair.
2. Check the pressure relief plug in top of the gear housing. Be sure that it is in good operating condition so that hot oil gasses may escape.
3. Lubricate rope with light oil.

### B. MONTHLY

1. Lubricate the various grease fittings located in the ends of rope drum shaft, end bearing, clutch housing or clutch operating linkage. Any good grade of moly-disulfide containing grease is acceptable.
2. Check the action of the locking ring, making sure it is spring loaded and free to move fully against the rope drum in the

engaged position and that it is pulled fully away from the rope drum and latched when disengaged.

3. Check the winch mounting bolts. If any are missing, replace them and securely tighten any that are loose to recommended torque. Make sure to use only grade 5 bolts or better.
4. Check the torque setting of the oil cooled holding brake. Make any adjustments required, following the procedure described in **ADJUSTING THE OIL COOLED HOLDING BRAKE** in the Owner's Manual.
5. Inspect the rope. If the rope has become frayed with broken strands, replace immediately.

### C. ANNUALLY

1. Drain the oil from the winch annually or more often if winch is used frequently. Fill the winch to the oil level plug with clean kerosene. Run the winch a few minutes with no load in the reel in direction. Drain the kerosene from the winch. Refill the winch to the oil level plug with all purpose E.P. 140 gear oil.
2. Inspect frame and surrounding structure for cracks or deformation. Gear wear can be estimated by **rocking the drum back and forth and if necessary drain oil and remove cover for closer inspection.**
3. Adjust the oil cooled holding brake. See **ADJUSTING THE OIL COOLED HOLDING BRAKE** on page 7.

## WINCH MOUNTING

It is most important that this winch be mounted securely so that the three major sections (the clutch housing end, the rope drum and the gear-housing end) are properly aligned.

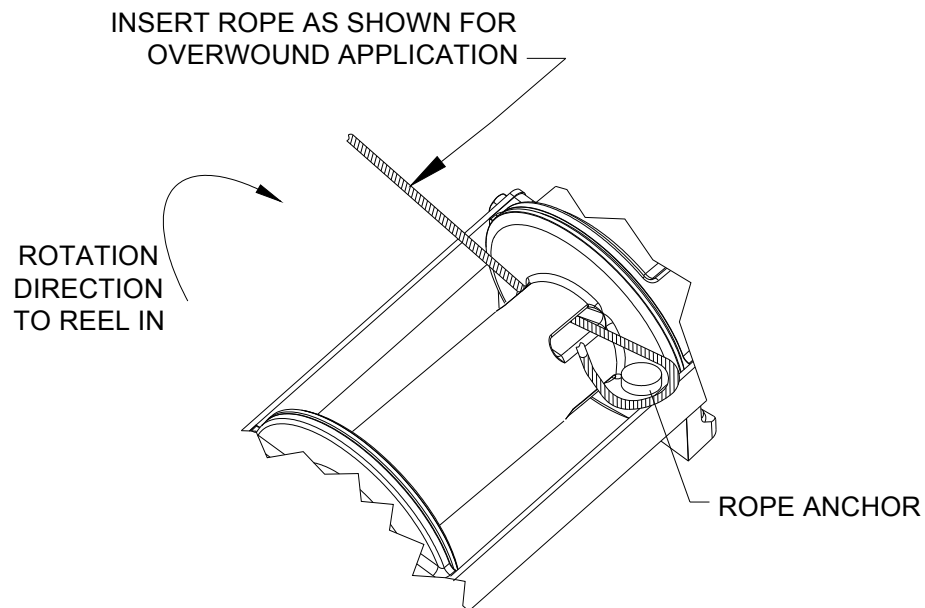
This H-89 Dow-Lok® series winch is furnished with 13 x 76 x 102 mm (1/2 x 3 x 4 in) high-strength steel angles.

## ROPE INSTALLATION

The Ramsey Model H-89 Dow-Lok<sup>®</sup> winch has two tapered pockets cast into the drum. One pocket is for installation with the wire rope wound over the drum. The other pocket is for an underwound wire rope.

1. Slide the wire rope through narrow end of the pocket against the drum flange.
2. Wrap the wire rope around the anchor "puck" and pull the wire rope and anchor back into the wide end of the pocket.
3. Use a soft hammer to drive the back side of the wire rope, firmly seating the wire rope and anchor into the pocket.

The wire rope can easily be removed from the drum by driving the anchor out the wide end of the pocket. While keeping tension on end of rope, carefully run the winch in the "reel-in" direction spooling all the rope onto the rope drum. Take care to form neatly wrapped layers.



**NOTE:** ROTATION DIRECTION SHOWN WITH BRAKE BALLS IN SLOT 2 ("A" ROTATION).

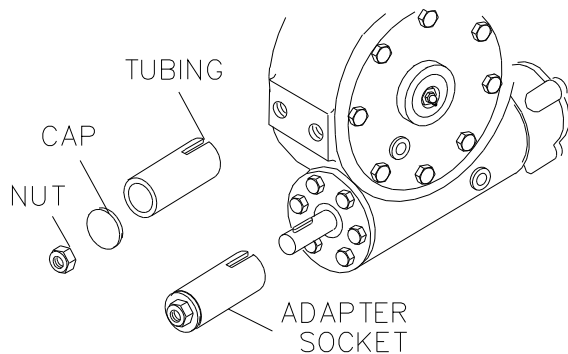
## ADJUSTING THE OIL COOLED HOLDING BRAKE

The oil cooled, fully adjustable, automatic holding brake operates in the worm housing lubricant, all parts being submerged in oil. The brake can be adjusted as follows:

1. Loosen the lock nut on the adjusting screw.
2. Tighten the brake by turning the adjusting screw clockwise. **CAUTION: Only 1/4 turn is usually required to adjust the brake.** Over-tightening can cause overheating, and damage to the brake parts. Tighten the lock nut after adjustment is completed.

If the brake does not respond to adjustment, then a new leaf spring and brake disc is needed.

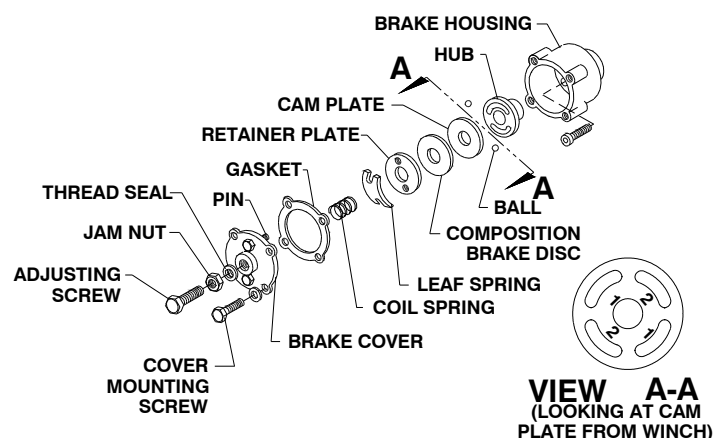
A torque wrench can be equipped with a special adapter to fit the input shaft (worm) of the winch. The adapter can be made by welding a nut to the end of a piece of tubing as shown in the following figure. After welding the cap and nut to the tubing, slot the tubing, as shown. This will allow the special adapter to slide over the keyway and will then act as a large socket.



A torque wrench can be used to apply the proper torque. Turn the torque wrench so that the drum turns in the spool out direction or lowering direction. The torque rating for the brake on the Model H-89 Dow-Lok® should be 68 to 75 Nm (50 to 55 ft-lb). If torque wrench does not show the proper value as it turns, then the worm brake adjusting bolt should be turned clockwise 1/4 turn. Each time the adjusting bolt is turned, checked the torque reading. Continue this procedure until the proper torque reading is achieved, then tighten the lock nut.

## SERVICING OF THE OIL COOLED HOLDING BRAKE

1. Remove the drain plug and drain the worm gear oil from the worm housing.
2. Back off the lock nut, then the adjusting screw, both two turns or more by turning them counter-clockwise.
3. Remove the cover mounting screws.
4. Remove the cover along with coil spring and leaf spring.
5. Remove the retainer plate, composition brake disc, cam plate and balls. Note which slots brake balls are in, #1 or #2. **This will determine the brake engagement direction.**
6. Insert parts as follows:
  - a) Composition brake discs are 6,4 mm (1/4") thick when new. Replace if thinner than 4,8 mm (3/16") or if surfaces are glazed or burnt.
  - b) Inspect the flat, ground surface of the camplate and retainer plate for glazing, warpage, or other damage. Glazing can be removed by scraping carefully.
  - c) Inspect the leaf spring. It should be bowed 1/8".



**DIAGRAM 1**  
**WORM HOLDING BRAKE**



## **RE-ASSEMBLING AND CHECKING THE HOLDING BRAKE**

1. Press brake hub into place over worm shaft and key.
2. Assemble balls in appropriate slots of cam. See name and data tag for brake ball slot position. Use stiff grease to hold balls into place and slide cam over end of worm. Be sure that balls are secure, between cam slots and hub slots. Install brake disc.
3. Install retainer plate, smooth side toward brake disc.
4. Install the gasket on the cover with a small amount of grease or sealer.
5. The coil spring goes over the adjusting screw on the inside of the cover.
6. Install the notches of the leaf spring on the pins protruding through the cover. The hollow side of the leaf spring goes toward the brake.
7. Install brake housing cover, making sure the protruding pins go through the leaf spring and into the holes in the retainer plate.
8. Bolt cover into place with the mounting screws. Install drain plug and add 1,8 liters (3-3/4 pints) of all purpose E.P. 140 oil.
9. Turn winch in the hoisting direction at least one turn of the input shaft.
10. Turn the adjusting screw in until it is finger tight.

## **TEST FOR PROPER HOLDING BRAKE ASSEMBLY**

After the brake has been adjusted to the proper torque setting, disengage clutch. Start vehicle engine and run winch in the reel in (pulling direction). Allow winch to run in this direction for one minute.

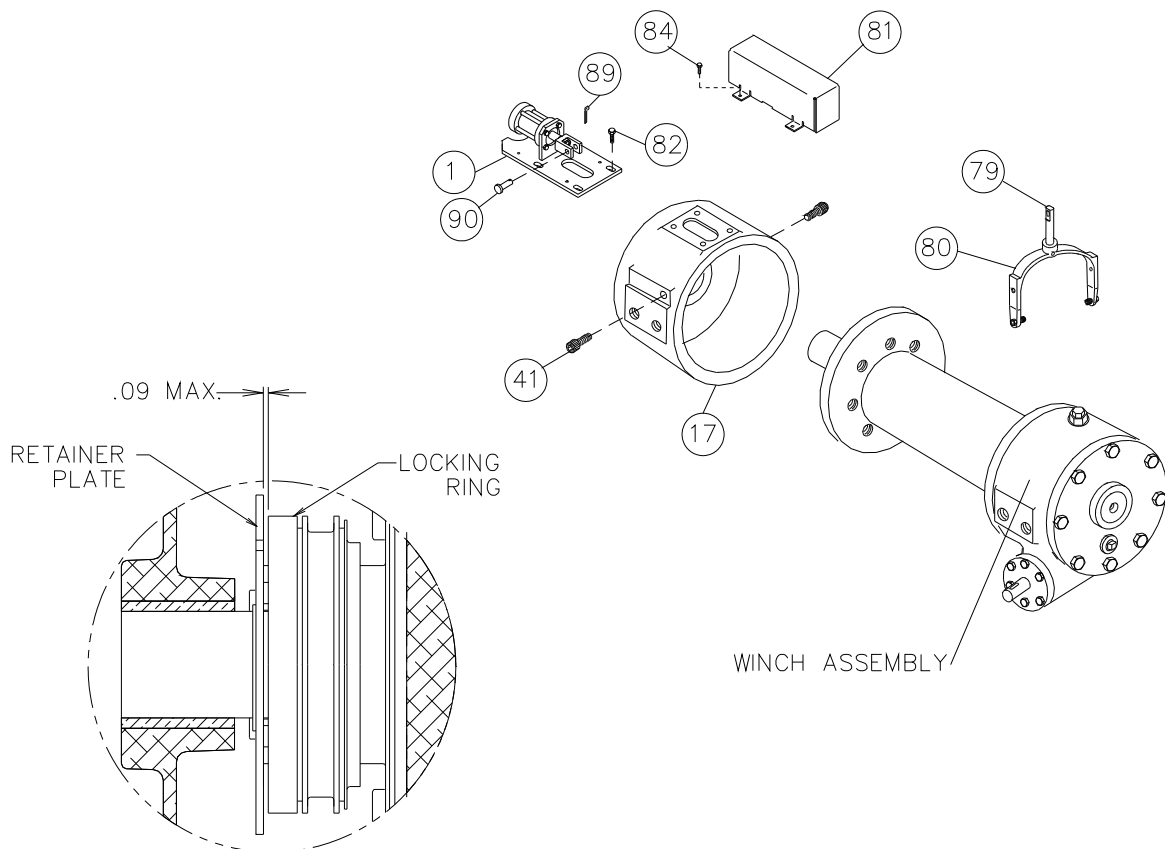
Place your hand on the safety brake housing. If housing is not hot to the touch then run winch in the reverse direction (rope out) for one minute. Brake housing should begin to heat.

When these conditions exist, proper installation has been made. If heating becomes noticeable when running the winch in forward rotation (pulling direction), the brake should be again disassembled. When disassembled, place the brake balls in the alternate set of slots in the cam plates, then carefully follow the instructions for re-assembling and checking the brake.

## ADJUSTMENT OF CLUTCH AIR SHIFTER

1. Place winch assembly back into mounting frame and reattach using (8) mounting bolts and lockwashers. Torque mounting hardware to 393 Nm (290 ft-lb) each. Make sure that gear housing and clutch housing are not rubbing against drum flanges.
2. Place air shifter assembly #1 over shifter shaft aligning clevis over flats of shaft. Secure clevis to shaft using clevis pin #90 and cotter pin #89. Place shifter shaft in the "ENGAGED" position. With the air cylinder shaft fully retracted, push shifter assembly toward the drum until all play is taken out of the shifter shaft. Secure shifter assembly to clutch housing using (4) capscrews #82 (flanged hx. hd. serrated). Tighten securely, but do not torque.
3. Hook up air 4,8-6,2 bar (70-90 psi) to

inlet port of air cylinder and disengage clutch. Look into the opening in the clutch housing and verify that the locking ring and retainer plate are not making contact. Locking ring and retainer plate must not make contact. There must be a clearance gap of 2,3 mm (.09 in) (max.) between the locking ring and retainer plate when the winch is fully disengaged. If there is contact, the (4) capscrews #82 should be loosened and the plate pulled away from the drum approximately 1,5 mm (.06 in). Tighten screws securely and check action to assure needed clearance. Repeat adjustment procedure as needed to acquire needed gap. Shift clutch 2 or 3 times to verify proper shifting of clutch. After final adjustment, torque (4) capscrews #82 to 24 Nm (18 ft-lb) each. Attach cover #81 using (4) capscrews #84.



## TROUBLE SHOOTING GUIDE

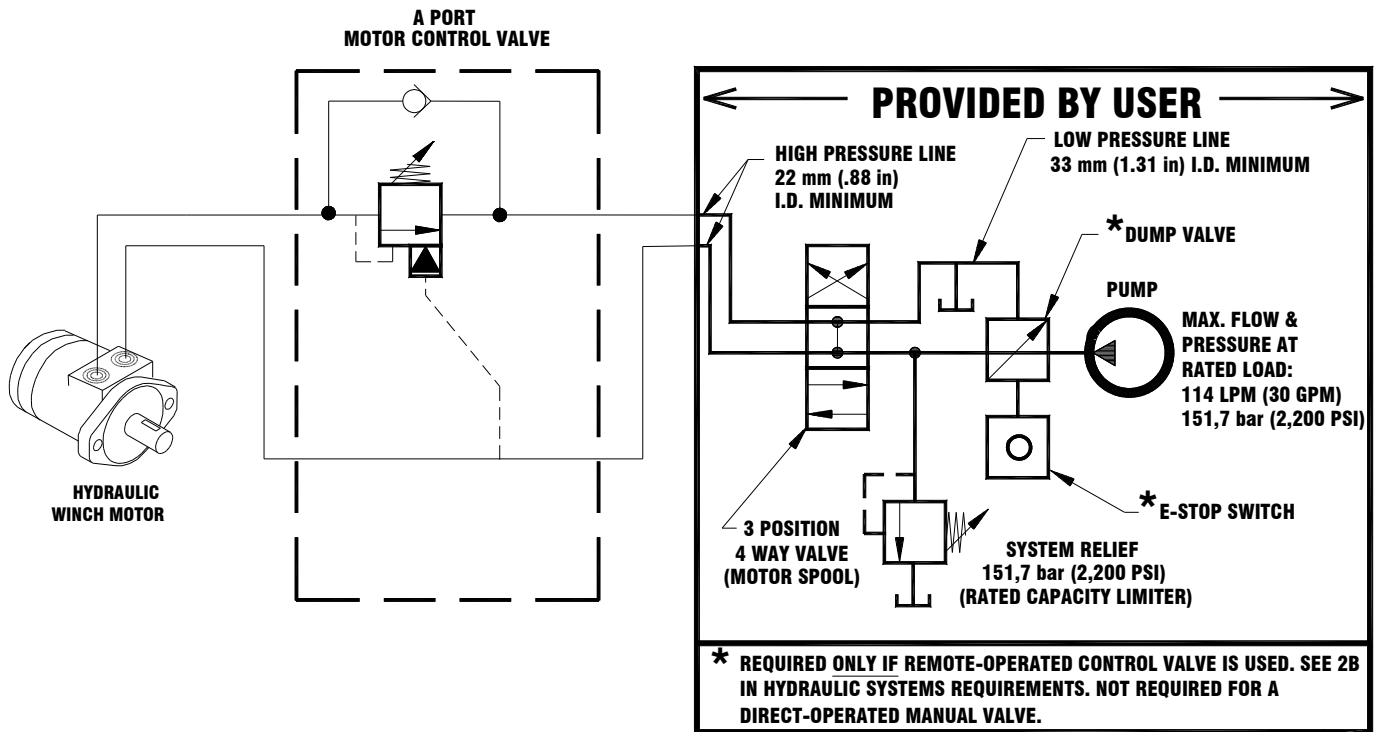
CONDITIONS	POSSIBLE CAUSE	CORRECTION
CLUTCH INOPERATIVE OR BINDS UP	<ol style="list-style-type: none"> <li>1. Dry or rusted shaft.</li> <li>1. Bent yoke or linkage.</li> <li>3. Debris in clutch.</li> <li>4. Clutch not disengaging.</li> </ol>	<ol style="list-style-type: none"> <li>1. Clean and lubricate.</li> <li>2. Replace yoke or shaft assembly.</li> <li>3. Clean and lubricate.</li> <li>4. Adjust clutch air shifter (See section under <i>Maintenance</i>).</li> </ol>
LOAD DRIFTS	<ol style="list-style-type: none"> <li>1. Holding brake has become worn.</li> <li>2. Holding brake out of adjustment.</li> <li>3. Incorrect hydraulic system.</li> <li>4. Load is greater than rated capacity.</li> </ol>	<ol style="list-style-type: none"> <li>1. Replace brake disc (See <i>Servicing of the Oil Cooled Safety Brake</i>).</li> <li>2. Turn adjusting bolt clockwise 1/4 turn until load does not drift</li> <li>3. Check hydraulic system. (See <i>Hydraulic System Requirements</i>).</li> <li>4. Reduce load.</li> </ol>
OIL LEAKS FROM WINCH	<ol style="list-style-type: none"> <li>1. Seals damaged or Worn.</li> <li>2. Too much oil.</li> <li>3. Damaged Gasket.</li> </ol>	<ol style="list-style-type: none"> <li>1. Replace seal.</li> <li>2. Drain excess oil. Refer to <i>Winch Maintenance</i>.</li> <li>3. Replace gasket.</li> </ol>
WINCH RUNS TOO SLOW	<ol style="list-style-type: none"> <li>1. Low flow rate.</li> <li>2. Hydraulic motor worn</li> </ol>	<ol style="list-style-type: none"> <li>1. Check flow rate. Refer to <i>Hydraulic System Requirements</i>.</li> <li>2. Replace motor.</li> </ol>
ROPE DRUM WILL NOT FREESPOOL	<ol style="list-style-type: none"> <li>1. Clutch not disengaged.</li> <li>2. Winch not mounted squarely, causing end bearing to bind drum.</li> </ol>	<ol style="list-style-type: none"> <li>1. Check air pressure to clutch cylinder 4,8 bar (70 psi) min. required (See <i>Adjustment of Air Clutch Shifter</i>).</li> <li>2. Check mounting (See <i>Winch Mounting</i>).</li> </ol>
ROPE BIRDNESTS WHEN CLUTCH IS DISENGAGED	<ol style="list-style-type: none"> <li>1. Drag brake disc worn.</li> </ol>	<ol style="list-style-type: none"> <li>1. Replace discs.</li> </ol>
HYDRAULIC FLUID LEAKS OUT HOLE IN MOTOR ADAPTER	<ol style="list-style-type: none"> <li>1. Hydraulic motor shaft seal damaged.</li> </ol>	<ol style="list-style-type: none"> <li>1. Replace seal.</li> </ol>

# HYDRAULIC SYSTEM REQUIREMENTS

1. Motor spool (open center) control valve.
2. Emergency Stop:
  - A. If winch is controlled by a direct-operated manual valve, that valve serves as the E-stop.
  - B. If a remote operated control valve is used, a solenoid-operated hydraulic dump valve, normally open to tank, and an emergency stop switch (to open the dump valve) is required. The E-stop switch is to be normally closed and have a red, resettable push button actuator with a yellow background. The E-stop switch must be easily accessible to the operator.
3. "A" port motor control valve rated for a maximum flow of 114 LPM (30 GPM).
4. Hydraulic motor with a volume of 244 cc (14.9 cu in)/rev.
5. Relief valve set to 151,7 bar (2200 psi) which is the rated capacity limiter.
6. Flow rate of 114 LPM (30 GPM) maximum.
7. Hydraulic fluid with a viscosity between 20-43 cSt (100-200 SUS). Maximum operating temperature 85C (180F). Cleanliness level of ISO 17-14 or better.

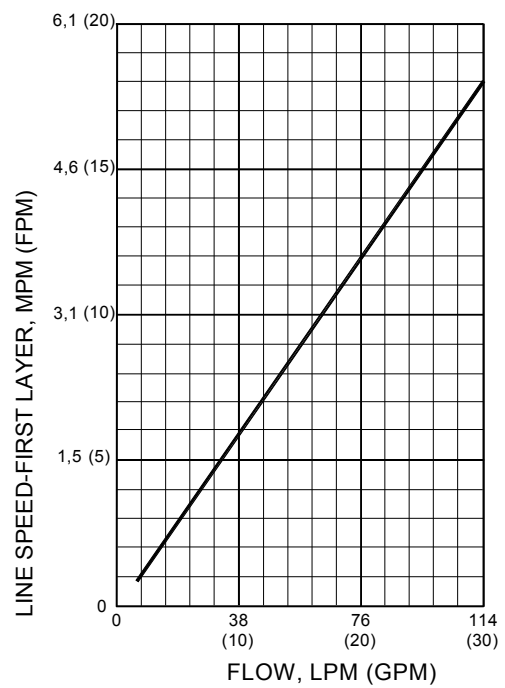
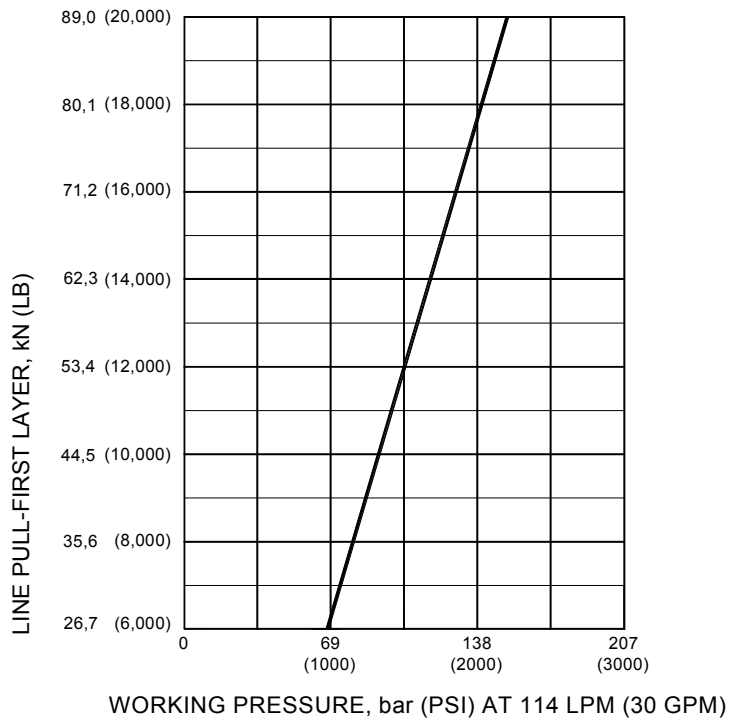
**Note:** Some models are sold without the hydraulic motor and "A" port motor control valve. It is the User's responsibility to meet the following meet the Hydraulic System Requirements.

# TYPICAL HYDRAULIC LAYOUT



Refer to the performance charts below to properly match your hydraulic system to the winch performance. The charts consist of: (1) Line Pull first layer kN (lb) vs. Working Pressure bar (psi). (2) Line Speed, first layer MPM (FPM) vs. flow LPM (GPM).

## PERFORMANCE CHARTS



# INSTRUCTIONS FOR OVERHAUL OF RAMSEY MODEL H-89 DOW-LOK® DIS-ASSEMBLY

Refer to parts list and parts drawing pages for actual item numbers and corresponding part numbers.

## FIGURE 1

Drain oil from gear housing by removing pipe plug #88 from gear housing. Shift clutch into engaged "IN" position. If equipped with air shifter, remove air shifter cover #43, cotter pin #75, and clevis pin #76. Remove air shifter sub-assembly #5. Remove frame angles #7 & #8 from winch assembly.

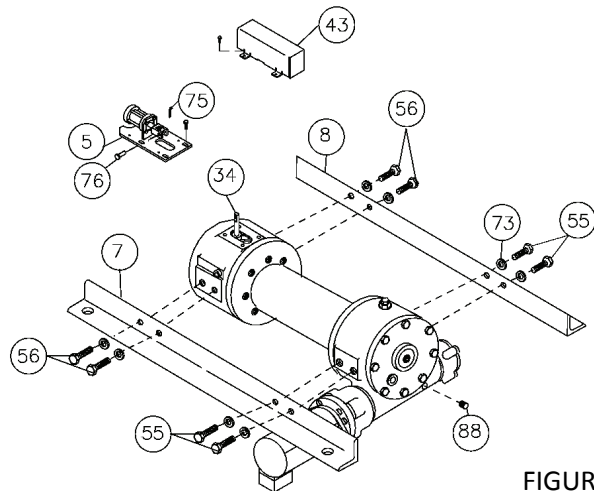


FIGURE 1

## FIGURE 2

Remove two capscrews #53 from clutch housing #21 and unlatch shifter assembly #34. Remove clutch housing from end of drum shaft. Press in on retainer plate #93, to relieve the spring tension and remove the retainer ring #96. Remove four cap screws #44, retainer plate #93, springs #99 and spacer #35.

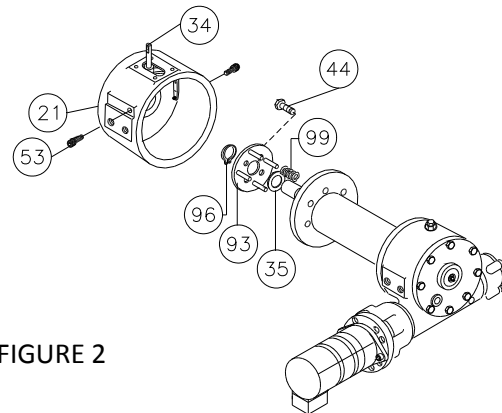


FIGURE 2

## FIGURE 3

Slide the locking ring #14 from the clutch. NOTE: The locking ring cannot be removed unless the clutch is engaged, with dowel pins #90 seated in the shaft keyways. Rotate the drum so the eight balls #39 and four dowel pins #90 can be removed. If necessary, the clutch #13 may be disassembled from the drum by removing eight capscrews #50. Slide drum #18 from drum shaft.

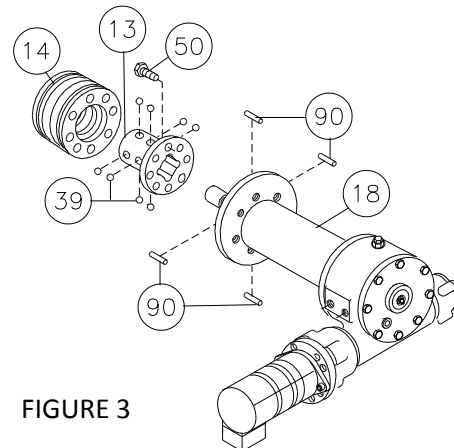


FIGURE 3

**FIGURE 4**

Remove motor #85 from adapter plate #29 by removing capscrews #59. Remove adapter plate and coupling #3 from adapter #6 by unscrewing eight capscrews #56.

Remove key #26 from worm shaft. Unscrew six capscrews #58 and remove adapter from gear housing. Replace adapter seal #94 and gasket #78.

Drag brake #17, spacer #103 and springs #98 should be examined and replaced if necessary.

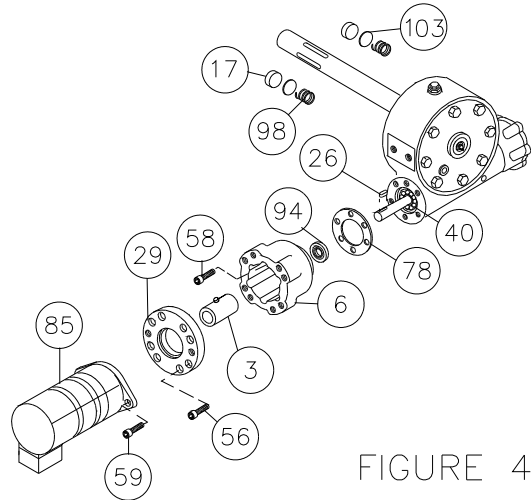


FIGURE 4

**FIGURE 5**

Remove brake housing #20 from gear housing by unscrewing six #57 capscrews. Refer to page 7, SERVICING OIL COOLED HOLDING BRAKE.

Remove key #25 from worm. Remove worm #36 and bearings #40 from gear housing. Use a soft hammer to gently tap input end of worm, driving worm and bearing from gear housing. Once worm has been removed from housing, bearing can be pressed from end of worm. Check for signs of wear or damage to worm #36 and bearings #40. Replace if necessary.

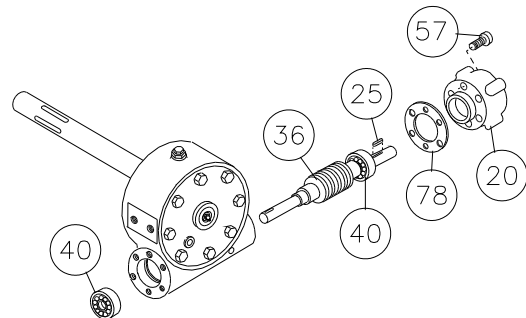


FIGURE 5

**FIGURE 6**

Remove gear-housing cover #16 from gear housing #22 by unscrewing eight capscrews #47. Thread two of the capscrews into the two tapped holes of cover and tighten. This will pull the cover loose from gear housing. Remove cover gasket #80 and pull shaft #32, with gear #19 and spacer #101 attached, from gear housing.

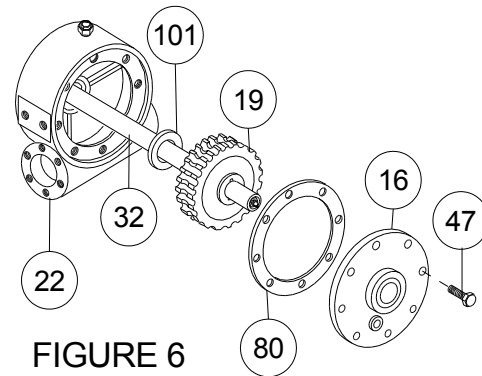


FIGURE 6

**FIGURE 7**

If necessary, replace gear. Check lube fittings #84 and reducer #87 for damage and replace if necessary.

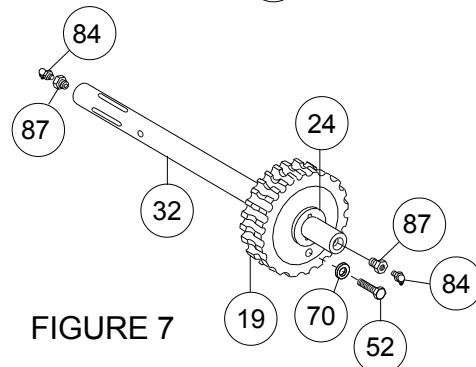


FIGURE 7

**FIGURE 8**

If shaft and/or gear is damaged, replace as follows:

- a. Tap keys #27 into short keyways of drum shaft #32.
- b. Press shaft #32 and keys through gear hub #19 until end of keys on long end of shaft are flush with gear.

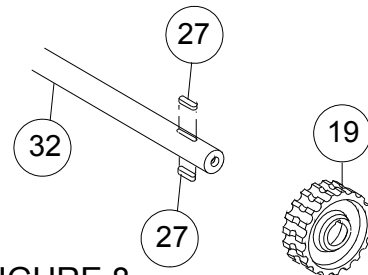


FIGURE 8

**FIGURE 9**

Check gear housing bushing #10 and o-ring #86 for signs of wear. Replace if necessary by pressing old bushing from gear housing #22. Press new bushing into place and insert new o-ring #86 into groove inside of bushing.

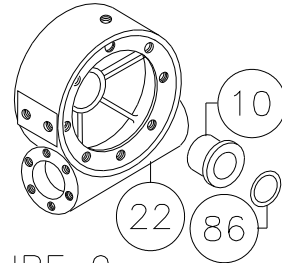


FIGURE 9

**FIGURE 10**

Check drum bushings #41 & #42 for signs of wear. Replace if necessary by pressing old bushings from drum #18. Press bushing #41 into bore in drum until flange is seated against bottom of counterbore. Press bushing #42 into opposite bore on drum until end of bushing extends .50" from end of drum.

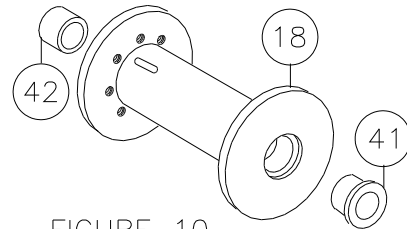


FIGURE 10

**FIGURE 11**

Check end bearing bushing #42 for signs of wear. If necessary, remove old bushing and press new bushing into place.

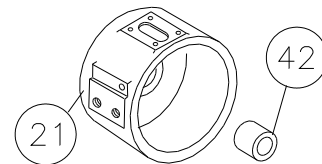


FIGURE 11

**FIGURE 12**

Check cover bushing #10 and o-ring #86 for signs of wear. Replace if necessary by pressing old bushing from gear housing cover #16. Press new bushing into place and insert new o-ring #86 into groove inside of bushing.

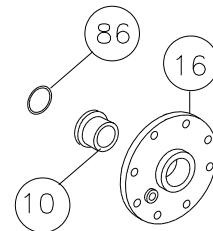


FIGURE 12



**FIGURE 13**

Slide spacer #101 over long end of shaft and place against gear hub. Apply grease to end of shaft, opposite gear. Apply grease to bushing in gear housing #22. Place greased end of shaft through bushing in gear housing #22. Place gasket #80 onto gear housing cover #16. Apply grease to gear end of shaft and cover bushing. Place cover onto shaft and secure to housing with eight #47 capscrews. Tighten capscrews to 53 Nm (39 ft-lb) each.

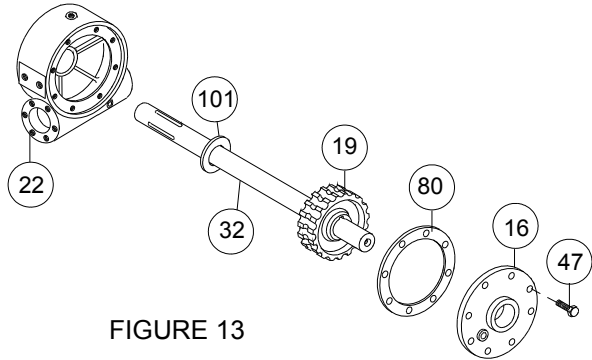


FIGURE 13

**FIGURE 14**

Press bearing #40 onto worm #36. NOTE: Be sure that thick shoulder of bearings outer race (side with manufacturer's name and part number) is out, away from worm threads. Press bearing and worm into gear housing. Slip gasket #78 onto brake housing #20. Use six capscrews #57 to secure brake housing to gear housing. Tighten capscrews to 61 Nm (45 ft-lb) each. Place key #25 into keyway of worm #36. Refer to page 8 for reassembly and checking of worm brake.

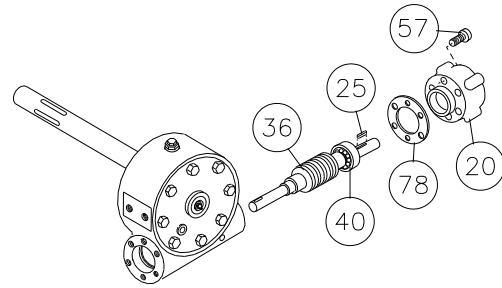


FIGURE 14

**FIGURE 15**

Press bearing #40 onto worm and into housing. NOTE: Be sure that thick shoulder of bearings outer race (side with manufacturer's name and part number) is out, away from worm threads. Attach adapter #6 to gear housing using six capscrews #58. Tighten capscrews to 61 Nm (45 ft-lb) each. Insert key #26 into keyway of worm shaft. Slide coupling #3 over end of worm shaft. Attach adapter plate #29 to adapter using eight capscrews #56. Tighten capscrews to 28 Nm (21 ft-lb) each. Place motor shaft, with key in keyway, into coupling. Secure motor #85 to adapter, using two capscrews #59. Tighten capscrews to 138 Nm (102 ft-lb) each.

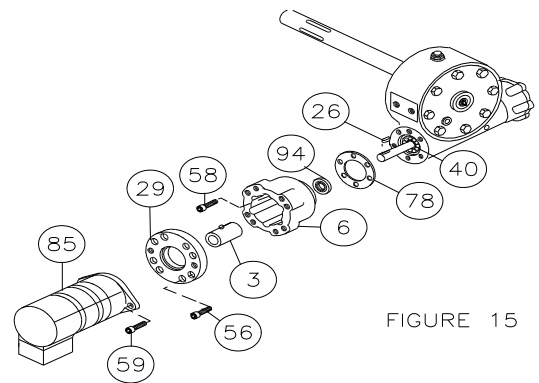


FIGURE 15

**FIGURE 16**

Place winch with gear housing cover down on work bench. Drum shaft should be in vertical position. Set springs #98 into pockets of gear housing with drag brakes #17 on top of disc #103 and springs. Apply grease to shaft and drum bushings. Slide drum assembly #18 onto drum shaft as shown.

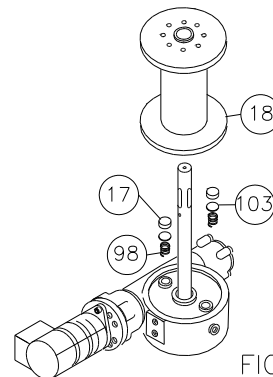


FIGURE 16

### FIGURE 17

Place clutch #13 over end of drum shaft. Align the clutch over the pilot bushing in drum. Install the eight capscrews #50 and torque the capscrews to 138 Nm (102 ft-lb) to securely seat the clutch to the drum. Rotate the drum to align the clutch slots with the shaft keyways. Lightly grease four dowel pins #90 and eight balls #39. Use molybdenum disulfide or graphite bearing grease. Insert the four dowel pins #90 and eight balls #39. In the engaged position the balls are nearly flush with the clutch. Lightly grease the internal and external groove and bore in locking ring #14 and clutch #13. Slide locking ring onto the clutch. When fully engaged, the locking ring touches the clutch flange and there is 18 to 18,5 mm (.71 to .73 in) between the end of the locking ring and the end of the clutch.

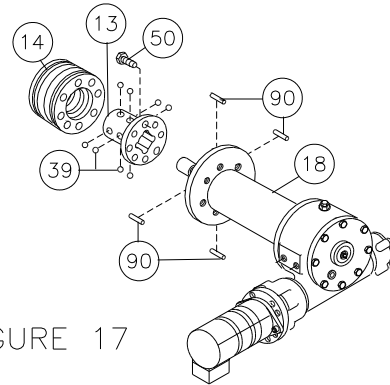


FIGURE 17

### FIGURE 18

Place four springs #99 over four roll pins on retainer plate #93. Install spacer #35 and retainer plate and secure to clutch using four capscrews #44. Tighten capscrews to 13 Nm (9.7 ft-lb) each. Firmly seat the retainer ring #96 into drum shaft groove. Set the shifter assembly so that the screw heads engage the external groove in the locking ring #14. Push the clutch housing #21 onto the drum shaft and latch the shifter assembly in the engaged "IN" position. Insert the two capscrews #53.

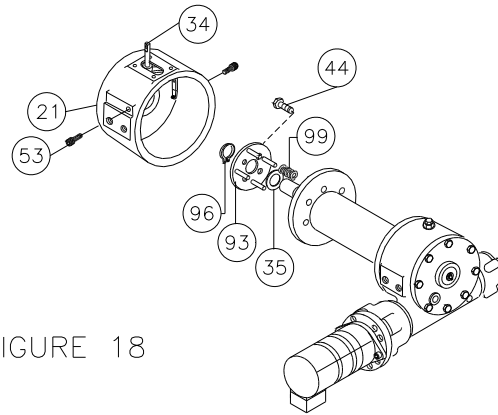


FIGURE 18

### FIGURE 19

Attach mounting angles #7 & #8 to winch assembly. Use capscrews #55 & #56 and lockwashers #73. Tighten capscrews to 393 Nm (290 ft-lb) each. Insert plug #88 into hole in bottom of gear housing. Remove plugs #81 & 87 from top of housing. Pour 1.77 liters (3-3/4 pints) of E.P. 140 oil into hole and replace plugs. Attach air shifter assembly, but do not torque prior to adjustment (refer to page 9). Attach clevis #33 to shifter shaft #34 with clevis pin #76 and cotter pin #75. Attach cover #43.

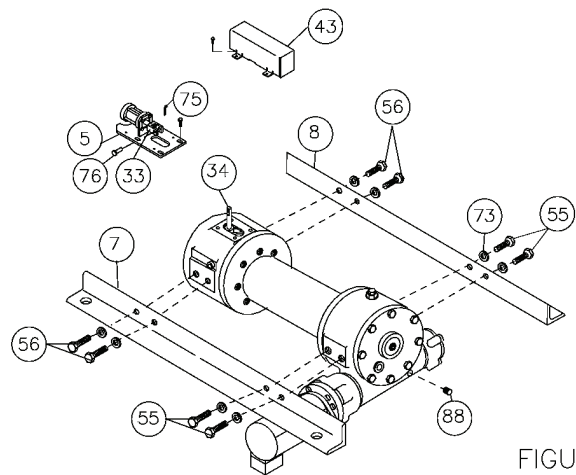
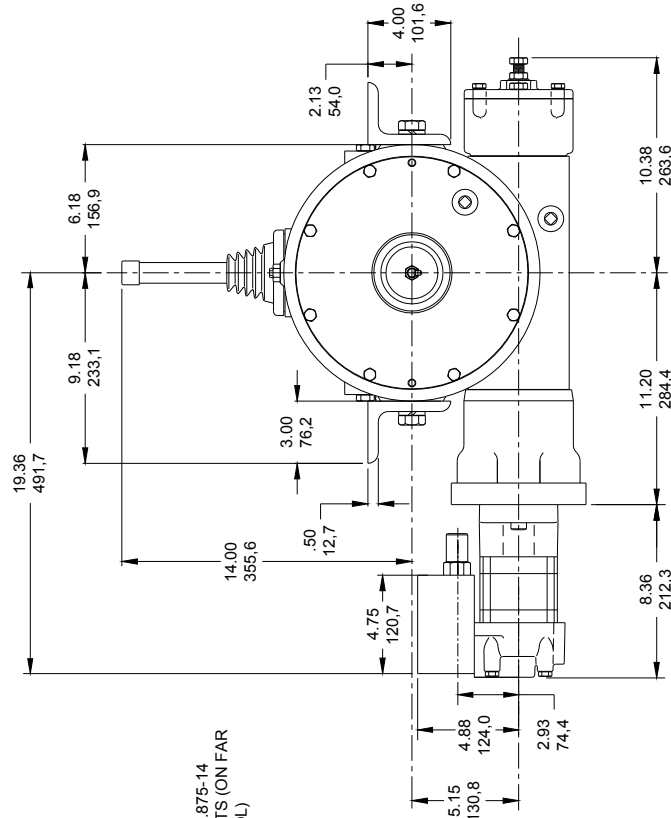
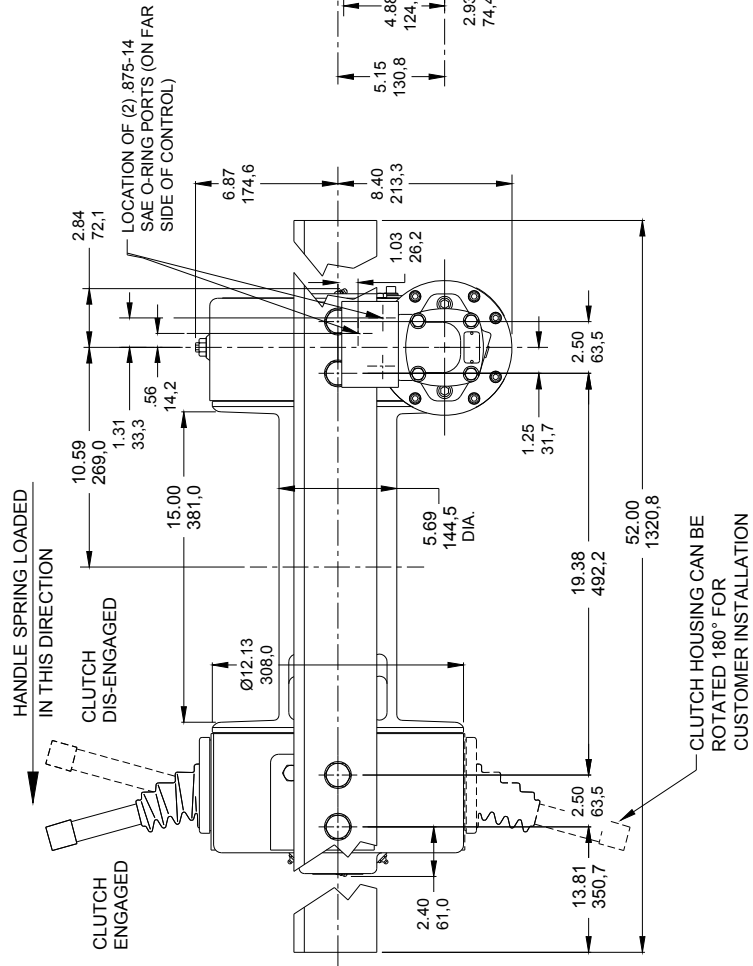


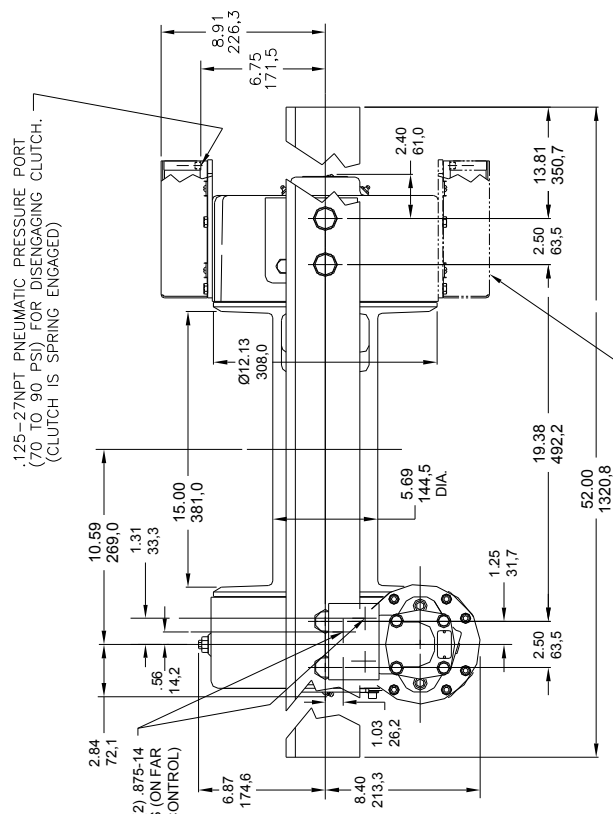
FIGURE 19



DIMENSIONS ARE INCHES OVER MILLIMETERS



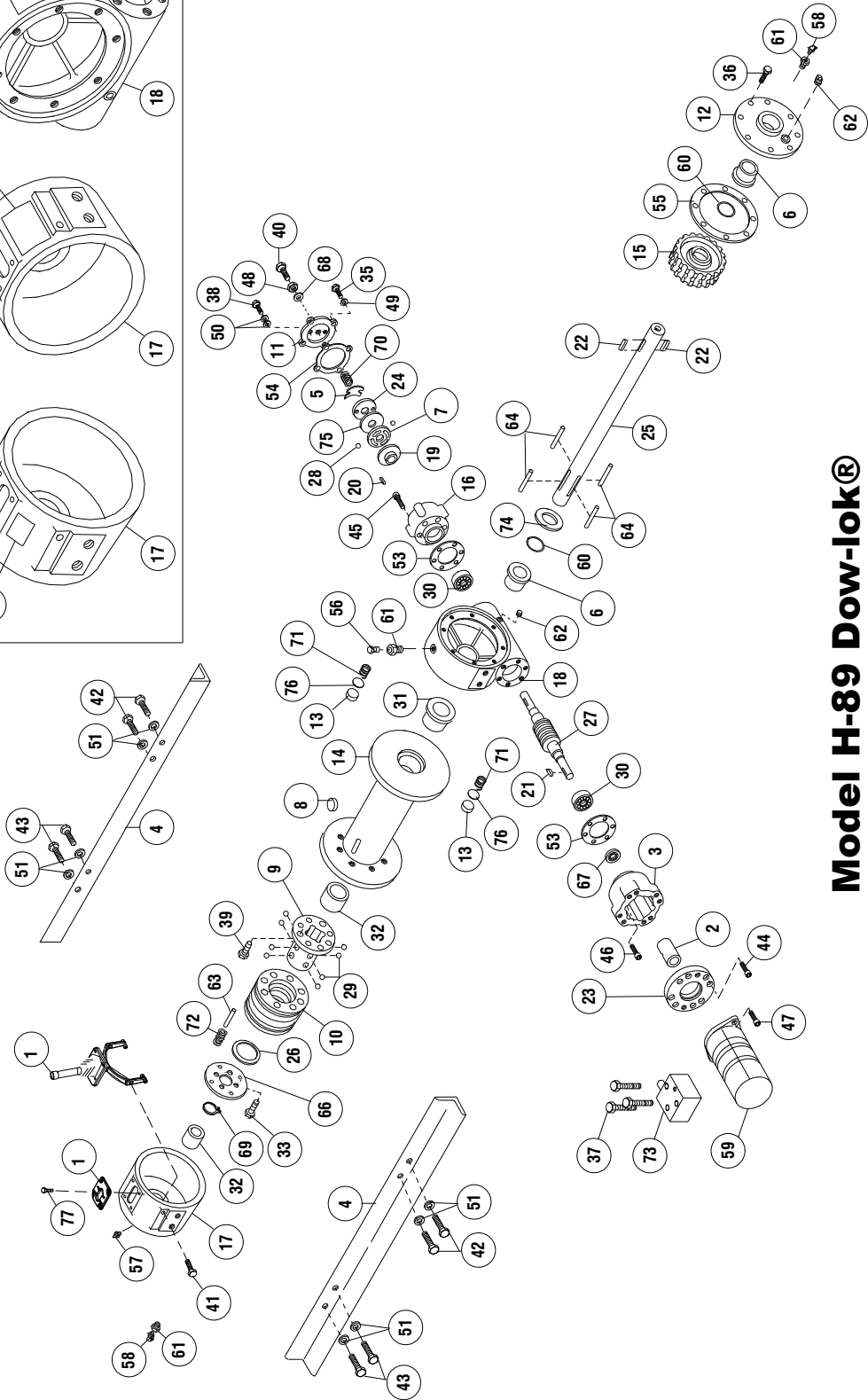
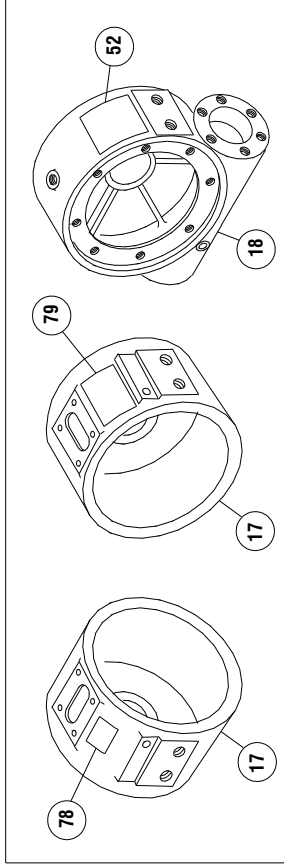
## Model H-89 Dow-lok®



DIMENSIONS ARE INCHES OVER MILLIMETERS

# Model H-89 Dow-Iok® Air Shifter

# Label Positioning

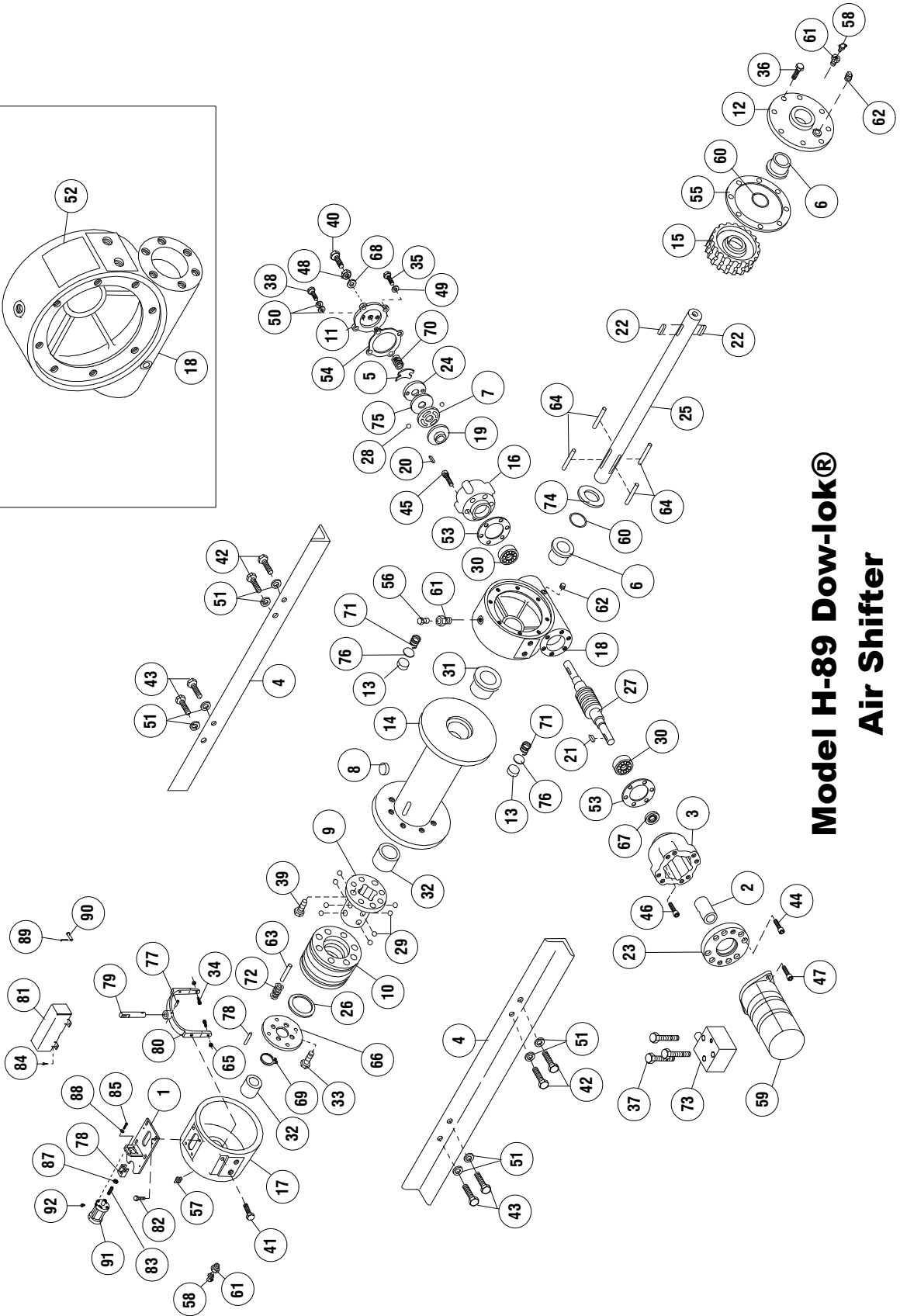
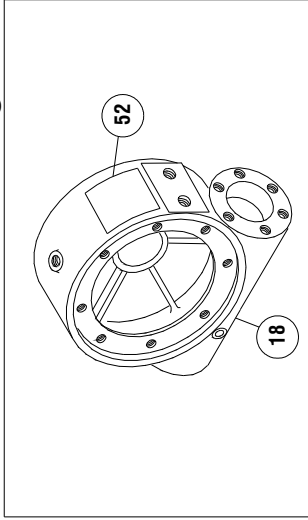


**Model H-89 Dow-lok®**

## PARTS LIST MODEL H-89 DOW-LOK® MANUAL SHIFT

Item No.	Qty.	Part No.	Description	Item No.	Qty.	Parts No.	Description
1	1	276033	MANUAL SHIFTER ASSEMBLY	41	2	414619	CAPSCREW 1/2-13NC X 2-1/2 LG HX HD ALL-THRD ZP
2	1	299733	COUPLING ASSEMBLY	42	4	414751	CAPSCREW 3/4-10NC X 1-3/4 GR5 NYLOK HVY PATCH
3	1	300048	ADAPTER	43	4	414777	CAPSCREW 3/4-10NC X 1-3/4 GR5
4	2	302711	ANGLE - STD.	44	8	414871	CAPSCREW 5/16-18NC X 1-1/4 LG SOC HD LOK-WEL
5	1	306035	SPRING - FLAT	45	6	414897	CAPSCREW 3/8-16NC X 1 LG SOC HD
6	2	308083	BUSHING	46	6	414909	CAPSCREW 3/8-16NC X 1-3/4 LG SOC HD LOK-WEL
7	1	314007	CAM PLATE	47	2	414950	CAPSCREW 1/2-13NC X 1-3/4 LG SOC HD LOK-WEL
8	1	314010	CABLE ANCHOR ("STD." DRUM ONLY)	48	1	415067	NUT 1/2-20NF HX JAM
9	1	324151	CLUTCH	49	4	418163	LOCKWASHER 5/16 MED SECT PLTD
10	1	324318	LOCKING RING	50	4	418184	WASHER - FLAT 3/8 ALUM
11	1	328027	COVER - BRAKE	51	8	418249	LOCKWASHER 3/4 MED SECT
12	1	328122	COVER - GEAR HOUSING	52	1	434583	TAG-NAME AND DATA
13	2	330010	SHOE - DRAG BRAKE	53	2	442192	GASKET
14	1	332167	DRUM (STANDARD)	54	1	442194	GASKET
15	1	334188	GEAR - R.H.	55	1	442195	GASKET
16	1	338221	HOUSING - BRAKE	56	1	456008	FITTING - RELIEF
17	1	338235	HOUSING - CLUTCH	57	1	456031	FITTING - LUBE
18	1	338242	HOUSING - GEAR	58	2	456039	LUBE FITTING
19	1	340011	HUB - BRAKE	59	1	458106	MOTOR - HYD
20	1	342053	KEY	60	2	462013	QUAD-RING
21	1	342092	KEY	61	3	468002	REDUCER
22	2	342153	KEY	62	2	468011	PIPE PLUG
23	1	350535	PLATE - HYD. ADAPTER	63	4	470042	PIN - ROLL
24	1	352021	PLATE - RETAINER	64	4	470044	PIN - DOWEL
25	1	357498	SHAFT - DRUM (STD.)	65	4	470056	PIN - ROLL
26	1	362224	SPACER	66	1	474030	PLATE - RETAINER
27	1	368082	WORM R.H.	67	1	486068	SEAL - OIL
28	2	400007	BALL - BRAKE	68	1	486076	THREAD SEAL
29	8	400011	BALL - CLUTCH	69	1	490025	RING - RETAINER
30	2	402045	BEARING - BALL	70	1	494010	SPRING
31	1	412051	BUSHING	71	2	494022	SPRING - DISC
32	2	412052	BUSHING	72	4	494069	SPRING
33	4	414038	CAPSCREW 1/4-20NC X 3/4 LG HX HD GR5	73	1	516059	VALVE-COUNTER BALANCE
34	4	414069	CAPSCREW 5/16-18NC X 3/4 LG HX HD	74	1	518016	THRUST WASHER
35	4	414111	CAPSCREW 5/16-18NC X 1 LG HX HD GR5	75	1	530007	DISC - BRAKE
36	8	414277	CAPSCREW 3/8-16NC X 1 LG HX HD GR5 NYLOK HVY P	76	2	530094	SPACER - BRAKE
37	3	414305	CAPSCREW 3/8-16NCX3 1/4,HXHD,Z/P,G5	77	4	414126	CAPSCREW 5/16-18NC X 3/4 LG HX HD
38	2	414399	CAPSCREW 3/8-24NF X 1-1/4 LG ALL-THRD GR5	78	1	434173	TAG-CLUTCH ENGAGEMENT/DISENGAGEMENT
39	8	414571	CAPSCREW 1/2-20NF X 1 LG HX HD GR5	79	1	434174	TAG-CLUTCH OPERATION
40	1	414603	CAPSCREW 1/2-20NF X 1-3/4 LG ALL-THRD GR5				

# Label Positioning



# Model H-89 Dow-Iok® Air Shifter

## PARTS LIST MODEL H-89 DOW-LOK® WITH AIR SHIFTER

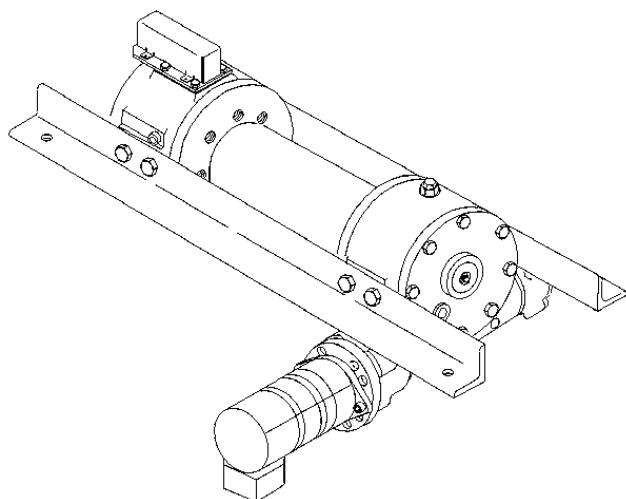
Item No.	Qty.	Part No.	Description	Item No.	Qty.	Part No.	Description
1	1	299695	AIR SHIFTER BRACKET ASSEMBLY	48	1	418067	NUT 1/2-20NF HX JAM
2	1	299733	COUPLING ASSEMBLY	49	4	418163	LOCKWASHER 5/16 MED SECT PLTD
3	1	300048	ADAPTER	50	4	418184	WASHER - FLAT 3/8 ALUM
4	2	302711	ANGLE - STD.	51	8	418249	LOCKWASHER 3/4 MED SECT
5	1	306035	SPRING - FLAT	52	1	434583	TAG-NAME AND DATA
6	2	308083	BUSHING	53	2	442192	GASKET
7	1	314007	CAM PLATE	54	1	442194	GASKET
8	1	314010	CABLE ANCHOR ("STD." DRUM ONLY)	55	1	442195	GASKET
9	1	324151	CLUTCH	56	1	456008	FITTING - RELIEF
10	1	324318	LOCKING RING	57	1	456031	FITTING - LUBE
11	1	328027	COVER - BRAKE	58	2	456039	LUBE FITTING
12	1	328122	COVER - GEAR HOUSING	59	1	458106	MOTOR - HYD
13	2	330010	SHOE - DRAG BRAKE	60	2	462013	QUAD-RING
14	1	332167	DRUM (STANDARD)	61	3	468002	REDUCER
15	1	334188	GEAR - R.H.	62	2	468011	PIPE PLUG
16	1	338221	HOUSING - BRAKE	63	4	470042	PIN - ROLL
17	1	338235	HOUSING - CLUTCH	64	4	470044	PIN - DOWEL
18	1	338242	HOUSING - GEAR	65	4	470056	PIN - ROLL
19	1	340011	HUB - BRAKE	66	1	474030	PLATE - RETAINER
20	1	342053	KEY	67	1	486068	SEAL - OIL
21	1	342092	KEY	68	1	486076	THREAD SEAL
22	2	342153	KEY	69	1	490025	RING - RETAINER
23	1	350535	PLATE - HYD. ADAPTER	70	1	494010	SPRING
24	1	352021	PLATE - RETAINER	71	2	494022	SPRING - DISC
25	1	357498	SHAFT - DRUM (STD.)	72	4	494069	SPRING
26	1	362224	SPACER	73	1	516059	VALVE-COUNTER BALANCE
27	1	368082	WORM R.H.	74	1	518016	THRUST WASHER
28	2	400007	BALL - BRAKE	75	1	530007	DISC - BRAKE
29	8	400011	BALL - CLUTCH	76	2	530094	SPACER - BRAKE
30	2	402045	BEARING - BALL	77	1	470045	PIN - ROLL
31	1	412051	BUSHING	78	1	358067	CLEVIS
32	2	412052	BUSHING	79	1	358069	SHIFTER SHAFT
33	4	414038	CAPSCREW 1/4-20NC X 3/4 LG HX HD GR5	80	1	370047	YOKE
34	4	414069	CAPSCREW 5/16-18NC X 3/4 LG HX HD	81	1	413074	COVER - AIR SHIFT
35	4	414111	CAPSCREW 5/16-18NC X 1 LG HX HD GR5	82	4	414126	CAPSCREW 5/16-18NC X 3/4 LG HX HD
36	8	414277	CAPSCREW 3/8-16NC X 1 LG HX HD GR5 NYLOK HVY P	83	1	416061	SETSCREW 3/8-24NF X 1-1/4 LG
37	3	414305	CAPSCREW-3/8-16NCX3 1/4-HXHD Z/P.G5	84	4	416214	SCREW #10-32NF X 1/4 LG RD HD ZIP
38	2	414399	CAPSCREW 3/8-24NF X 1-1/4 LG ALL-THRD GR5	85	4	416262	SCREW #10-32NF X 3/4 LG HX SOC ZIP
39	8	414571	CAPSCREW 1/2-20NF X 1 LG HX HD GR5	86	2	418035	NUT 3/8-16NC HX REG ZIP
40	1	414603	CAPSCREW 1/2-20NF X 1-3/4 LG ALL-THRD GR5	87	1	418041	NUT 3/8-24NF HX JAM
41	2	414619	CAPSCREW 1/2-13NC X 2-1/2 LG HX HD ALL-THRD ZP	88	4	418141	LOCKWASHER #10 MED SECT ZIP
42	4	414751	CAPSCREW 3/4-10NC X 1-3/4 GR5 NYLOK HVY PATCH	89	1	424005	COTTER PIN
43	4	414777	CAPSCREW 3/4-10NC X 1-3/4 GR5	90	1	424029	CLEVIS PIN
44	8	414871	CAPSCREW 5/16-18NC X 1-1/4 LG SOC HD LOK-WEL	91	1	433016	AIR CYLINDER
45	6	414897	CAPSCREW 3/8-16NC X 1 LG SOC HD	92	1	456038	BREATHER VENT
46	6	414909	CAPSCREW 3/8-16NC X 1-3/4 LG SOC HD LOK-WEL				
47	2	414950	CAPSCREW 1/2-13NC X 1-3/4 LG SOC HD LOK-WEL				





**MANUEL D'EXPLOITA-  
TION, DE DÉPANNAGE  
ET D'ENTRETIEN**

English (Original Instructions)..... 1  
Français (Translation of the Original Instructions).... 25  
Deutsch (Translation of the Original Instructions)..... 48  
Español (Translation of the Original Instructions) .... 72



**TREUIL MODÈLE H-89**

**UTILISATION PRÉVUE : DÉPANNAGE DE VÉHICULE ET TRACTION  
DE CHARGES**



**MISE EN GARDE : ASSUREZ-VOUS DE LIRE ET DE COMPRENDRE CE MANUEL  
AVANT D'INSTALLER ET D'UTILISER LE TREUIL. LISEZ LES AVERTISSEMENTS !**

**Ramsey Winch Company**

P.O. Box 581510 - Tulsa, OK 74158-1510 É.-U  
Téléphone : (918) 438-2760 - Fax (918) 438-6688  
Nous visiter à <http://www.ramsey.com>

**Ramsey Représentant autorisé dans la communauté:**

(Veuillez prendre contact uniquement pour des questions réglementaires.)

Alura Group BV  
P.O. Box 18626  
2502 EP The Hague  
The Netherlands  
Tel: (31) (0) 70 362-4896  
Fax: (31) (0) 70 346-7299

## **Table des matières**

Avertissements .....	27
Responsabilité de l'utilisateur pour la conformité CE .....	28
Techniques d'utilisation .....	28-29
Entretien du treuil .....	25
Fixation du treuil .....	29
Pose du câble .....	30
Réglage du frein de maintien de charge statique refroidi par huile .....	31
Entretien du frein de maintien de charge statique refroidi par huile .....	31
Remontage et vérification du frein .....	32
Test de montage correct du frein .....	32
Réglage de l'embrayeur pneumatique .....	33
Guide de résolution des problèmes .....	34
Caractéristiques du système hydraulique .....	35
Montage hydraulique type .....	35
Diagrammes de performances .....	36
Instructions de révision .....	37-41
Schémas cotés .....	42-43
Liste et schéma des pièces .....	44-47
Déclaration de conformité CE .....	48

<b>Traction du câble nominale</b>	89,0 kN	<b>Niveau sonore : 80 dB(A) sans charge</b>		
	20000 lb	<b>Démultiplication</b>		40:1
<b>Couche de câble</b>				
		1	2	3
<b>*Traction nominale par couche de câble</b>	kN	89,0	73,8	63,2
	(lb)	20,000	16,600	14,200
<b>*Capacité du câble par couche</b>	m*	10	23	38
	(ft)*	35	75	125
<b>*Vitesse du câble à 114 l/min (30 GPM)</b>	MPM	5,4	6,3	7,2
	(FPM)	18	21	24
* Ces caractéristiques se fondent sur l'utilisation recommandée d'un câble en acier de 16 mm, de classe de résistance 1960 et d'un moteur de 244 cm <sup>3</sup> /tr.				

## Avertissements

- L'utilisateur doit veiller à ce que tout opérateur reçoive la formation nécessaire.
- L'opérateur doit toujours travailler en conformité avec les instructions d'utilisation.
- L'embrayage doit être entièrement enclenché avant de faire fonctionner le treuil.
- Ne jamais désenclencher l'embrayage en présence d'une charge.
- Ne jamais se placer sous une charge soulevée ni à proximité.
- Rester à l'écart du câble lors du treuilage. Ne jamais essayer de guider le câble.
- Il est interdit d'utiliser le treuil pour déplacer des charges d'un poids supérieur à sa capacité nominale.
- Ne jamais essayer de déplacer une charge fixe ou obstruée.
- Ne jamais utiliser le treuil pour soulever, soutenir ou transporter du personnel de quelque manière que ce soit.
- Il est obligatoire de conserver au minimum deux tours de câble autour du tambour pour maintenir la charge.
- Éviter toute situation de déplacement de la charge ou d'à-coups. Éviter les mouvements saccadés.

## RESPONSABILITÉ DE L'UTILISATEUR POUR CONFORMITÉ AUX NORMES CE

1. Utilisez uniquement un distributeur à tiroir cylindrique de moteur (centre ouvert), conformément aux indications fournies sous la rubrique Caractéristiques du système hydraulique.
2. En cas d'utilisation d'un distributeur de treuil commandé à distance, consultez la rubrique Caractéristiques du système hydraulique pour déterminer les composants à installer pour le dispositif d'arrêt d'urgence.
3. Réglez la pression de décharge du système conformément aux instructions de la rubrique Caractéristiques du système hydraulique.
4. Installez le moteur hydraulique et le distributeur de moteur requis tel qu'indiqué sous la rubrique Caractéristiques du système hydraulique.
5. Montez le treuil conformément aux instructions fournies sous la rubrique Installation du treuil.
6. Installez un câble métallique de 16 mm de diamètre, de classe de résistance 1960. La longueur de câble maximale est de 38 m pour trois couches maximum. Attachez le câble au tambour comme indiqué dans les Instructions de pose du câble. Le crochet doit être équipé d'un verrou de sécurité et doit avoir une résistance à la rupture minimale de 225 kN.

## TECHNIQUES D'UTILISATION

Pour vous familiariser avec votre treuil, il est vivement conseillé de l'essayer avant de vraiment l'utiliser. Préparez l'essai. N'oubliez pas que vous entendez votre treuil autant que vous le voyez fonctionner. Apprenez à reconnaître le son d'une traction légère et régulière, celui d'une lourde charge ou encore celui provoqué par des à-coups ou une déviation de la charge. Prenez l'habitude de faire fonctionner votre treuil et tout deviendra automatique. L'enroulement irrégulier du câble lors de la traction d'une charge ne présente pas de problème sauf en cas d'accumulation du câble sur un côté du tambour. Dans ce cas, inversez le fonctionnement du treuil afin de soulager la charge et déplacez votre point d'attache vers le centre du véhicule. Une fois le travail terminé, vous pouvez dérouler le câble et l'enrouler à nouveau d'une manière régulière.

L'embrayage **Dow-Lok**<sup>®</sup> permet d'enrouler librement et d'enclencher l'embrayage du tambour du câble. Lorsque l'embrayage est désenclenché, le câble peut être déroulé librement du tambour à la main. Pour treuiller une charge, l'embrayage doit être complètement enclenché sur le tambour.

L'embrayage **Dow-Lok**<sup>®</sup> se verrouille soit en position enclenchée (la position « IN »), soit en position désenclenchée (la position « OUT »), par une goupille qui s'insère dans le trou correspondant à la partie inférieure du levier d'embrayage.

### POUR DÉBLOQUER L'EMBRAYAGE

Faites fonctionner le treuil en marche arrière (déroulement) afin de dégager la charge du câble. Saisissez fermement la poignée tout en poussant sur le dessus avec le pouce, puis soulevez jusqu'à ce que la goupille se dégage des trous de blocage.

### POUR ENCLENCHER L'EMBRAYAGE

Débloquez la poignée et tirez-la autant que possible en position rentrée « IN ». Afin de garantir un enclenchement complet, les éléments internes de l'embrayage doivent être alignés. Cet alignement s'obtient lorsque le tambour du câble ou son arbre tourne au maximum d'un quart de tour. L'embrayage s'enclenche automatiquement

et la goupille tombe dans les trous de position rentrée « IN » lorsque l'alignement est obtenu. **N'essayez pas de soulever de charge si la goupille n'est pas complètement dans les trous de position rentrée « IN ».** Restez à distance de la poignée à ressort pendant l'enclenchement automatique.

### POUR DÉGAGER L'EMBRAYAGE

Débloquez et poussez la poignée en position sortie « OUT », puis insérez la goupille dans les trous de blocage. Ne désenclenchez pas l'embrayage en présence d'une charge.

L'embrayage pneumatique **Dow-Lok**<sup>®</sup> permet d'enrouler librement et d'enclencher l'embrayage du tambour du câble. Lorsque l'embrayage est désenclenché, le câble peut être déroulé librement du tambour à la main. Pour treuiller une charge, l'embrayage doit être complètement enclenché sur le tambour.

### POUR ENCLENCHER L'EMBRAYAGE

Avant d'essayer d'enclencher l'embrayage, veillez à ce que le câble ait au moins 50 cm de mou. Ceci permettra au tambour de tourner d'au moins un quart de tour et d'enclencher ainsi l'embrayage avant de tirer la charge. Ce mou dans le câble permet d'éliminer la pression d'air du cylindre d'embrayage pneumatique. Faites fonctionner le treuil en position d'enroulement jusqu'à ce que l'embrayage commence à tourner. L'embrayage doit être entièrement enclenché avant de lancer le fonctionnement du treuil.

### POUR DÉGAGER L'EMBRAYAGE

Faites fonctionner le treuil en direction de déroulement jusqu'à l'absence de charge sur le câble. Appliquez une pression de 480 à 620 kPa au niveau du cylindre de l'embrayage pneumatique pour désenclencher l'embrayage. **Ne désenclenchez pas l'embrayage en présence d'une charge.**

### L'embrayage à faible encombrement

**Dow-Lok**<sup>®</sup> permet d'enrouler librement et d'enclencher l'embrayage du tambour du câble. Lorsque l'embrayage est désenclenché, le câble peut être déroulé librement du tambour à la main. Pour treuiller une charge, l'embrayage doit être complètement enclenché sur le tambour.

## POUR ENCLANCHER L'EMBRAYAGE

Soulevez la poignée jusqu'au déblocage du support et la tirer jusqu'en fin de course. L'embrayage s'enclenche automatiquement et se verrouille lorsqu'il s'aligne sur l'axe du tambour. Afin de garantir un enclenchement complet, les éléments internes de l'embrayage DOIVENT être alignés. Cet alignement s'obtient lorsque le tambour du câble ou son arbre tourne au maximum d'un quart de tour. N'essayez pas de treuiller une charge tant que la rainure de l'arbre de l'embrayage n'est pas solidement verrouillée. Restez à distance de la poignée à ressort pendant l'enclenchement automatique.

## POUR DÉGAGER L'EMBRAYAGE

Soulevez la poignée jusqu'au déblocage du support, puis poussez dessus et verrouillez la rainure de l'arbre sur le support. Ne désenclenchez pas l'embrayage en présence d'une charge.

## ENTRETIEN DU TREUIL

L'observation du calendrier de maintenance suivant vous permettra de maintenir votre treuil en bon état et garantira un fonctionnement avec un minimum de réparations.

### A. ENTRETIEN HEBDOMADAIRE

1. Vérifiez le niveau d'huile et maintenez-le au niveau du bouchon. En cas de fuite d'huile, déterminez l'emplacement de la fuite et réparez.
2. Vérifiez le bouchon d'échappement en haut de la boîte d'engrenages. Assurez-vous qu'il fonctionne bien afin que les gaz issus de l'huile chaude puissent être évacués.
3. Lubrifiez le câble avec de l'huile légère.

### B. ENTRETIEN MENSUEL

1. Lubrifiez les divers graisseurs situés aux extrémités de l'arbre du tambour du câble, le roulement d'extrémité, le carter d'embrayage ou la tringlerie d'embrayage. Vous pouvez utiliser toute graisse de bonne qualité contenant du bisulfure de molybdène.
2. Vérifiez le fonctionnement de la bague de blocage en vous assurant qu'elle est montée sur ressort et qu'elle peut se déplacer librement contre le tambour du câble en position enclenchée. Vérifiez également qu'elle

se dégage bien du tambour et se bloque bien lors du désenclenchement.

3. Vérifiez les boulons de fixation du treuil. Remplacez tout boulon manquant et serrez fermement les autres sous le couple de serrage recommandé. Veillez à utiliser uniquement des boulons de classe 5 ou supérieure.
4. Vérifiez le réglage du couple de serrage du frein de maintien de charge refroidi à l'huile. Procédez à tout réglage nécessaire, conformément à la procédure décrite dans la section *Réglage du frein de maintien de charge statique refroidi par huile* du manuel de l'utilisateur.
5. Examinez le câble. Tout câble dénudé ou effiloché doit être remplacé immédiatement.

### C. ENTRETIEN ANNUEL

1. Le treuil doit être vidangé une fois par an ou plus souvent en cas d'usage fréquent. Remplissez le treuil de kérosène propre jusqu'au niveau du bouchon de niveau d'huile. Faites fonctionner le treuil quelques minutes sans charge dans le sens de l'enroulement. Éliminez le kérosène du treuil. Remplissez le treuil d'huile pour engrenages E.P. 140 polyvalente jusqu'au bouchon de niveau d'huile.
2. Examinez le châssis et l'armature qui l'entoure afin de déceler toute déformation ou fissure éventuelle. Pour évaluer l'usure des engrenages, **secouez le tambour d'un mouvement de va-et-vient et, si nécessaire, vidangez l'huile et déposez le capot pour un examen plus approfondi.**
3. Réglez le frein de maintien de la charge statique refroidi par huile. Consultez la section *Réglage du frein de maintien de charge statique refroidi par huile* à la page 31.

## FIXATION DU TREUIL

Ce treuil doit absolument être monté correctement afin que les trois principales parties soient alignées (l'extrémité du carter d'embrayage, le tambour du câble et l'extrémité de la boîte d'engrenages).

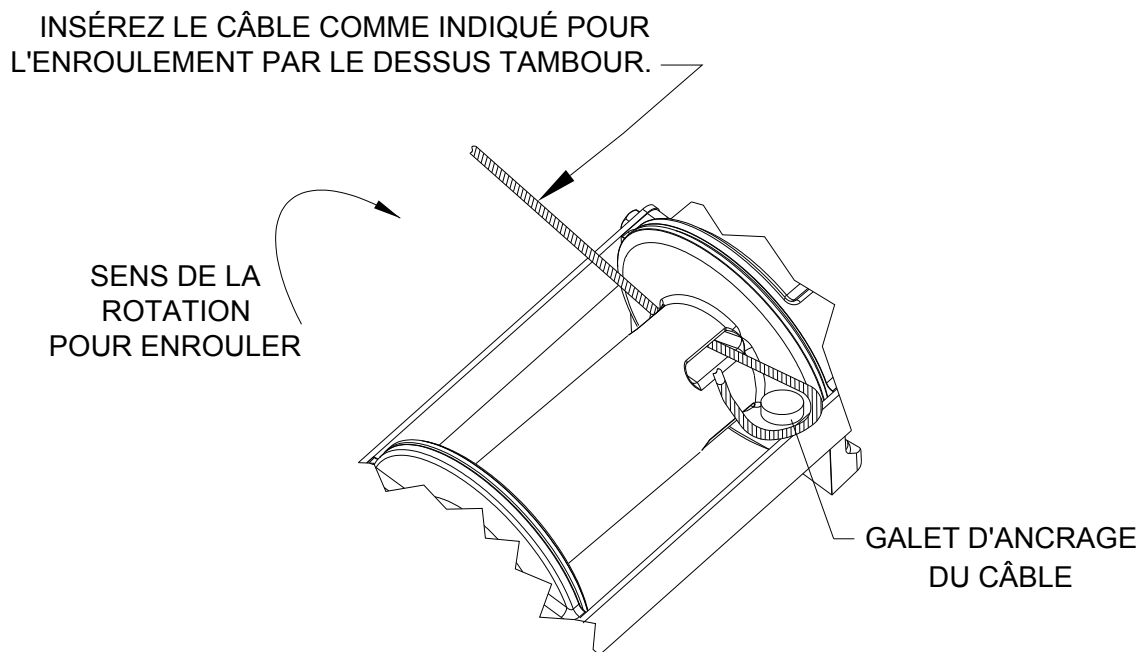
Ce treuil H-89 de la série Dow-Lok<sup>®</sup> est fourni avec des cornières en acier à haute résistance mesurant 13 mm x 76 mm x 102 mm.

## POSE DU CÂBLE

Le treuil Ramsey H-89 Dow-Lok® comporte deux logements effilés, moulés dans le tambour. L'un d'eux s'emploie pour les installations requérant un enroulement du câble par-dessus le tambour. L'autre pour un enroulement par-dessous le tambour.

1. Insérez le câble dans la partie étroite du logement, contre la collerette du tambour.
2. Enroulez le câble autour du galet d'ancrage et tirez l'ensemble dans l'extrémité large du logement.
3. Utilisez un marteau-caoutchouc pour acheminer l'arrière du câble, en le plaçant fermement avec le galet d'ancrage dans le logement.

Le câble peut se retirer facilement du tambour en sortant l'ancrage de la partie large du logement. Tout en maintenant la tension à l'extrémité du câble, faites fonctionner le treuil dans la direction d'enroulement pour enrouler tout le câble sur le tambour. Prenez soin de former des couches régulières.



**REMARQUE :** SENS DE ROTATION REPRÉSENTÉ CORRESPONDANT AUX BILLES DE FREIN DANS LE LOGEMENT 2 (ROTATION « A »)

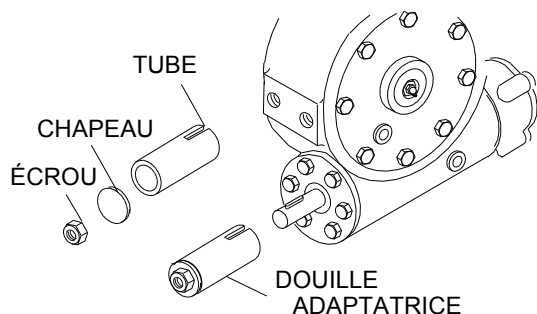
## RÉGLAGE DU FREIN DE MAINTIEN DE CHARGE STATIQUE REFROIDI PAR HUILE

Le frein de maintien de charge statique automatique, entièrement réglable et refroidi par huile fonctionne dans le lubrifiant du carter de la vis sans fin, et toutes ses pièces sont plongées dans l'huile. Pour ajuster le frein, procédez de la manière suivante :

1. Desserrez le contre-écrou de la vis de réglage.
2. Serrez le frein en tournant la vis de réglage dans le sens des aiguilles d'une montre. **MISE EN GARDE : il suffit normalement d'un quart de tour pour régler le frein.** Tout serrage excessif pourrait entraîner une surchauffe et endommager les pièces du frein. Resserrez le contre-écrou une fois l'opération terminée.

Si le réglage ne produit pas l'effet escompté, un ressort à lames et un disque de frein neufs sont nécessaires.

Une clé dynamométrique peut être équipée d'un adaptateur spécial pour s'adapter à l'arbre d'entrée (vis sans fin) du treuil. Cette pièce peut être formée en soudant un écrou sur le bout d'un tube, comme indiqué sur la figure suivante. Après avoir soudé le chapeau et l'écrou sur le tube, rainurez le tube comme indiqué. Ceci permet à l'adaptateur spécial de glisser sur la rainure et d'être employé comme une grosse douille.



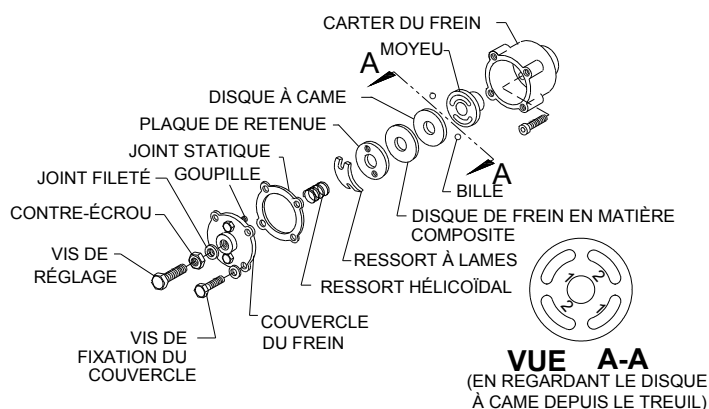
Il est alors possible d'utiliser une clé dynamométrique pour serrer au couple souhaité. Tournez la clé de manière à ce que le tambour tourne dans le sens de déroulement ou de descente. Le couple de serrage du frein du modèle H-89 Dow-Lok® doit être de 68 à 75 Nm. Si la clé dynamométrique n'indique pas la bonne valeur en tournant, il convient alors de tourner le boulon de réglage du frein à vis sans fin d'un quart de tour dans le sens des aiguilles d'une montre.

Vous devez vérifier le couple de serrage à chaque fois que vous tournez le boulon de réglage. Continuez ainsi jusqu'à l'obtention du couple de serrage

souhaité, puis resserrez le contre-écrou.

## ENTRETIEN DU FREIN DE MAINTIEN DE CHARGE STATIQUE REFROIDI PAR HUILE

1. Retirez le bouchon de vidange et videz l'huile de la boîte de la vis sans fin.
2. Desserrez le contre-écrou puis la vis de réglage d'au moins deux tours chacun en les tournant dans le sens inverse des aiguilles d'une montre.
3. Retirez les vis de fixation du couvercle.
4. Retirez le couvercle avec le ressort hélicoïdal et le ressort à lames.
5. Retirez la plaque de retenue, le disque de frein en matière composite, le disque à cames et les billes. Notez bien si les billes se trouvent dans le logement n° 1 ou n° 2. Cela détermine le sens de rotation activant le frein.
6. Examinez les pièces de la manière suivante :
  - a) Les disques de frein en matière composite mesurent 6,4 mm d'épaisseur lorsqu'ils sont neufs. Ils doivent être remplacés lorsqu'ils mesurent moins de 4,8 mm ou si les surfaces sont polies ou brûlées.
  - b) Examinez la surface plate du disque à cames et de la plaque de retenue afin de vous assurer qu'elle n'est pas glacée, voilée ou autrement détériorée. Le glaçage peut être enlevé en raclant avec précaution.
  - c) Examinez le ressort à lames. Il doit être arqué de 3 mm.



**SCHÉMA 1**  
**FREIN DE RETENUE DE LA VIS SANS FIN**

## **REMONTAGE ET VÉRIFICATION DU FREIN**

1. Appuyez sur le moyeu de frein pour le mettre en place sur la clavette et sur la tige de la vis sans fin.
2. Placez les billes dans les logements corrects du disque à cames. Consultez l'étiquette signalétique pour déterminer le logement dans lequel il faut placer les billes. Utilisez de la graisse dure pour maintenir les billes en place et faites glisser la came sur l'extrémité de la vis sans fin. Assurez-vous que les billes sont bien en place entre les logements de la came et ceux du moyeu. Installez le disque de frein.
3. Installez la plaque de retenue, côté lisse vers le disque du frein.
4. Installez le joint statique sur le couvercle avec une petite quantité de graisse ou de produit d'étanchéité.
5. Le ressort hélicoïdal se place sur la vis de réglage, à l'intérieur du couvercle.
6. Placez les encoches du ressort à lames sur les broches dépassant du couvercle. Le côté creux du ressort à lames se trouve vers le frein.
7. Installez le couvercle du carter de frein, en vous assurant que les broches en saillie passent dans le ressort à lames pour atteindre les trous de la plaque de retenue.
8. Fixez le couvercle en place au moyen des vis de fixation. Mettez le bouchon de vidange et ajoutez 1,8 l d'huile E.P. 140 polyvalente.
9. Faites tourner le treuil dans la direction de traction sur au moins un tour de l'arbre d'entrée.
10. Tournez la vis de réglage jusqu'à ce qu'elle soit serrée à la main.

## **TEST DE MONTAGE CORRECT DU FREIN**

Une fois le frein réglé au couple de serrage correct, désenclenchez l'embrayage. Démarrez le moteur du véhicule et faites fonctionner le treuil dans le sens de traction (sens de l'enroulement). Laissez-le tourner ainsi pendant une minute.

Placez la main sur le carter du frein de sécurité. S'il n'est pas chaud au toucher, faites fonctionner le treuil dans l'autre sens (déroulement) pendant une minute. Le carter devrait commencer à chauffer.

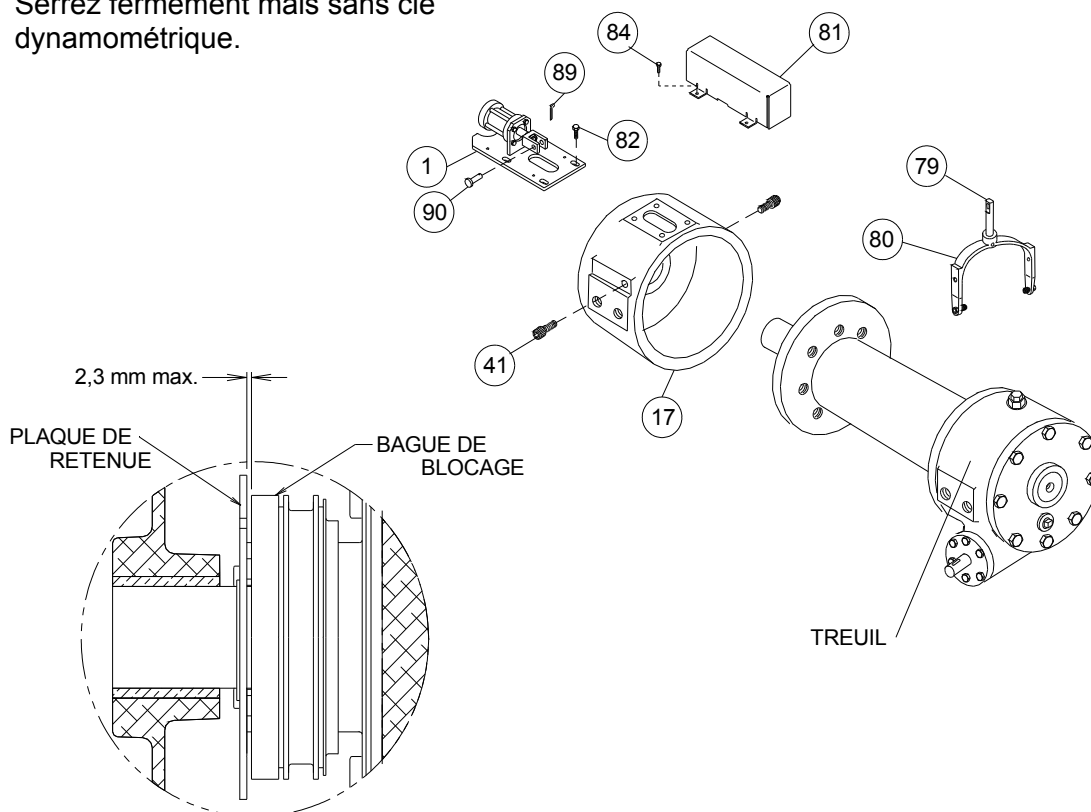
Si cela se produit, l'installation est correcte. Si un dégagement de chaleur se sent en marche avant (traction), le frein doit être redémonté. Une fois démonté, placez les billes dans l'autre ensemble de logements du disque à cames, puis suivez attentivement les instructions de remontage et de vérification du frein.



## RÉGLAGE DE L'EMBRAYEUR PNEUMATIQUE

1. Remplacez le treuil dans le châssis de fixation et fixez-le au moyen des huit boulons de fixation et des rondelles de sécurité. Serrez chaque boulon à un couple de 393 Nm. Assurez-vous que la boîte d'engrenages et le carter d'embrayage ne frottent pas contre les collerettes du tambour.
2. Placez l'embrayeur pneumatique n° 1 par-dessus la chape d'alignement de son arbre, au-dessus des parties planes de l'arbre. Fixez la chape sur l'arbre au moyen de la goupille n° 90 et de la goupille fendue n° 89. Placez l'arbre de l'embrayeur en position ENCLENCHÉE. Tandis que l'arbre du cylindre pneumatique est entièrement rentré, poussez l'embrayeur vers le tambour jusqu'à ce que tout le jeu ait disparu de l'arbre de l'embrayeur. Fixez l'embrayeur sur le carter d'embrayage au moyen des quatre vis d'assemblage n° 82 (tête-embase hexagonale dentelée). Serrez fermement mais sans clé dynamométrique.

3. Branchez l'air comprimé (480 à 620 kPa) sur l'entrée du cylindre pneumatique et désenclenchez l'embrayage. Regardez dans l'ouverture du carter d'embrayage et vérifiez que la bague de blocage et la plaque de retenue ne sont pas en contact. Ces deux pièces ne doivent pas se toucher. Un dégagement (espace) de 2,3 mm maximum doit se trouver entre la bague de blocage et la plaque de retenue lorsque le treuil est complètement désenclenché. En cas de contact, il convient de desserrer les quatre vis d'assemblage n° 82 et d'écarter la plaque du tambour d'environ 1,5 mm. Serrez fermement les vis et vérifiez si le dégagement souhaité est obtenu. Répétez le réglage autant de fois qu'il sera nécessaire pour obtenir l'espace nécessaire. Actionnez l'embrayage 2 ou 3 fois pour vérifier son bon fonctionnement. Après le réglage final, serrez les quatre vis d'assemblage n° 82 à un couple de 24 Nm. Fixez le couvercle n° 81 au moyen de quatre vis d'assemblage n° 84.



# GUIDE DE DÉPANNAGE

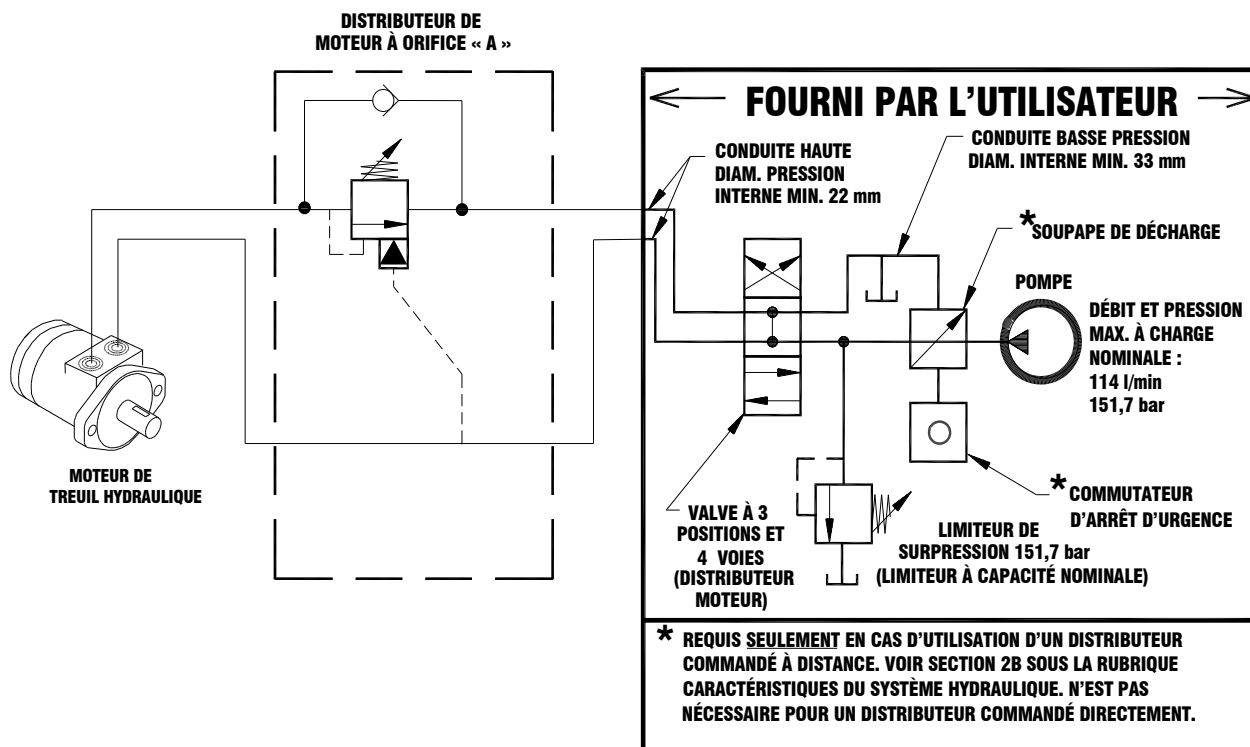
PROBLÈME	CAUSE PROBABLE	CORRECTIF
L'EMBRAYAGE NE FONCTIONNE PAS OU SE GRIPPE.	<ol style="list-style-type: none"> <li>1. Arbre sec ou rouillé.</li> <li>2. Fourchette ou tringlerie courbée.</li> <li>3. Présence de débris dans l'embrayage.</li> <li>4. Embrayage toujours enclenché.</li> </ol>	<ol style="list-style-type: none"> <li>1. Nettoyez et lubrifiez.</li> <li>2. Remplacez la fourchette ou la tringlerie.</li> <li>3. Nettoyez et lubrifiez.</li> <li>4. Réglez l'embrayage pneumatique (voir la rubrique correspondante dans la section <i>Entretien</i>).</li> </ol>
LA CHARGE GLISSE.	<ol style="list-style-type: none"> <li>1. Frein de maintien de charge statique usé.</li> <li>2. Frein de maintien de charge statique mal réglé.</li> <li>3. Anomalie dans le système hydraulique.</li> <li>4. Charge supérieure à la capacité nominale.</li> </ol>	<ol style="list-style-type: none"> <li>1. Remplacez le disque du frein (voir rubrique <i>Entretien du frein de maintien de charge statique refroidi par huile</i>).</li> <li>2. Tournez le boulon de réglage d'un quart de tour dans le sens des aiguilles d'une montre ou jusqu'à ce que la charge arrête de glisser.</li> <li>3. Vérifiez le système hydraulique (voir <i>Caractéristiques du système hydraulique</i>).</li> <li>4. Réduisez la charge.</li> </ol>
L'HUILE FUIT AU NIVEAU DU TREUIL.	<ol style="list-style-type: none"> <li>1. Joints d'étanchéité endommagés ou usés.</li> <li>2. Trop d'huile.</li> <li>3. Joint statique endommagé.</li> </ol>	<ol style="list-style-type: none"> <li>1. Remplacez le joint d'étanchéité.</li> <li>2. Vidangez l'excédent d'huile (voir rubrique <i>Entretien du treuil</i>).</li> <li>3. Remplacez le joint statique.</li> </ol>
LE TREUIL FONCTIONNE TROP LENTEMENT.	<ol style="list-style-type: none"> <li>1. Débit faible.</li> <li>2. Moteur hydraulique usé.</li> </ol>	<ol style="list-style-type: none"> <li>1. Vérifiez le débit (voir <i>Caractéristiques du système hydraulique</i>).</li> <li>2. Remplacez le moteur.</li> </ol>
LE TAMBOUR NE TOURNE PAS EN ROUE LIBRE.	<ol style="list-style-type: none"> <li>1. Embrayage toujours enclenché.</li> <li>2. Treuil mal monté, ce qui entraîne un grippage du tambour par les paliers d'extrémité.</li> </ol>	<ol style="list-style-type: none"> <li>1. Vérifiez la pression d'air au cylindre d'embrayage. Un minimum de 480 kPa est requis (voir <i>Réglage de l'embrayeur pneumatique</i>).</li> <li>2. Vérifiez le montage (voir <i>Fixation du treuil</i>).</li> </ol>
LE CÂBLE SE DÉTEND ET FORME DE LARGES BOUCLES LORSQUE L'EMBRAYAGE EST DÉSENCLENCHÉ.	<ol style="list-style-type: none"> <li>1. Disque du sabot d'appui usé.</li> </ol>	<ol style="list-style-type: none"> <li>1. Remplacez les disques.</li> </ol>
LE FLUIDE HYDRAULIQUE FUIT AU NIVEAU DU TROU DE L'ADAPTATEUR DU MOTEUR.	<ol style="list-style-type: none"> <li>1. Joint de l'arbre du moteur hydraulique endommagé.</li> </ol>	<ol style="list-style-type: none"> <li>1. Remplacez le joint d'étanchéité.</li> </ol>

## CARACTÉRISTIQUES DU SYSTÈME HYDRAULIQUE

1. Distributeur à tiroir cylindrique de moteur (centre ouvert).
2. Arrêt d'urgence :
  - A. Si un treuil est commandé par un distributeur à commande directe, ce distributeur sert de dispositif d'arrêt d'urgence.
  - B. En cas d'utilisation d'un distributeur commandé à distance, une soupape de décharge hydraulique commandée par solénoïde, normalement ouvrant sur le réservoir, et un interrupteur d'arrêt d'urgence (pour l'ouverture de la soupape de décharge) sont requis. L'interrupteur d'arrêt d'urgence doit être normalement fermé et doit être doté d'un bouton-poussoir d'activation rouge, avec réinitialisation, sur fond jaune. L'interrupteur d'arrêt d'urgence doit être facilement accessible à l'opérateur.
3. Distributeur de moteur à ouverture « A » d'un débit nominal de 114 l/min.
4. Moteur hydraulique d'une cylindrée de 244 cm<sup>3</sup>/tr.
5. La soupape de décharge doit être réglée pour 15,168 kPa, qui est la limite de capacité nominale.
6. Débit maximal de 114 l/min.
7. Fluide hydraulique ayant une viscosité comprise entre 20 et 43 cSt. Température de service maximale de 85 °C. Propreté de niveau ISO 17-14 ou meilleur.

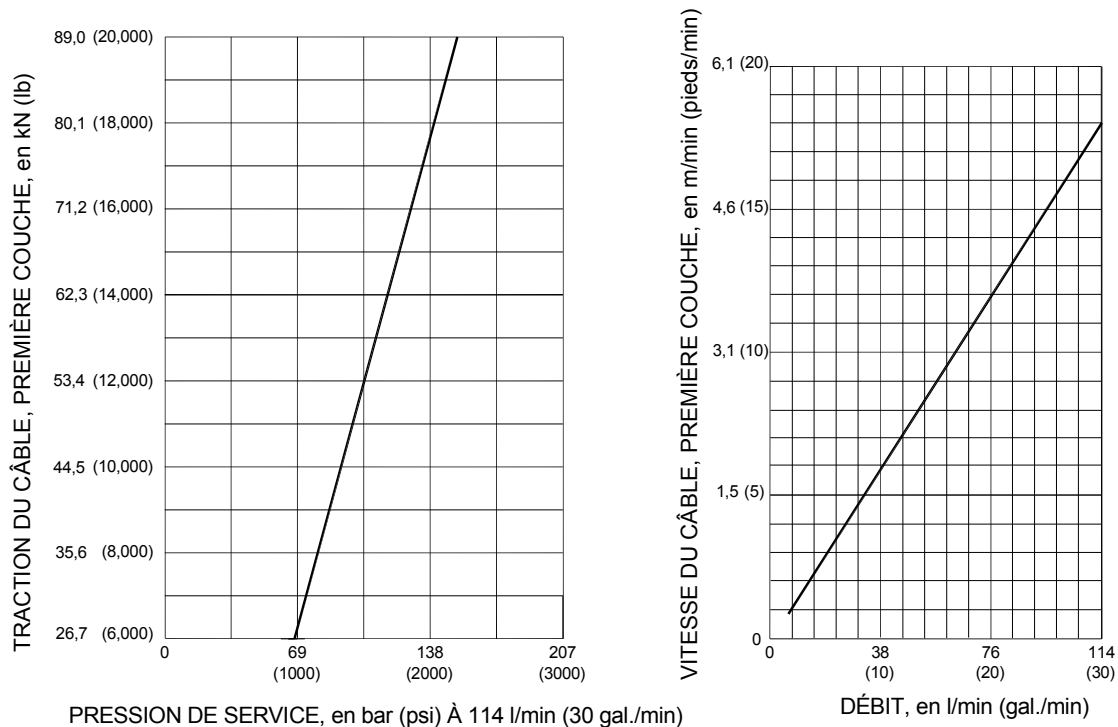
**Remarque :** Certains modèles sont vendus sans le moteur hydraulique ni le distributeur de moteur à orifice « A ». L'utilisateur est responsable de la conformité aux caractéristiques requises pour le système hydraulique.

## MONTAGE HYDRAULIQUE TYPE



Reportez-vous aux diagrammes de performances ci-dessous pour établir une correspondance entre votre système hydraulique et le fonctionnement de votre treuil. Ces diagrammes sont constitués des éléments suivants : (1) Traction du câble, première couche, exprimée en kN (lb), en fonction de la pression de service, exprimée en bars (psi) (2) Vitesse du câble, première couche, exprimée en m/min, en fonction du débit, exprimé en l/min (gal./min).

## DIAGRAMMES DE PERFORMANCES



# INSTRUCTIONS DE RÉVISION DES TREUILS RAMSEY MODÈLE H-89 DE LA GAMME DOW -LOK® DÉPOSE

Reportez-vous aux pages de listes et de schémas des pièces pour les numéros des pièces et les références correspondantes.

## FIGURE 1

Retirez le bouchon cylindrique (pièce n° 88) de la boîte d'engrenages afin d'en vidanger l'huile. Faites passer l'embrayage en position rentrée. Si l'appareil est doté d'un embrayeur pneumatique, enlevez le couvercle de celui-ci (n° 43), la goupille fendue (n° 75) et la goupille de chape (n° 76). Retirez l'embrayeur (n° 5). Retirez les cornières (nos 7 et 8) du treuil.

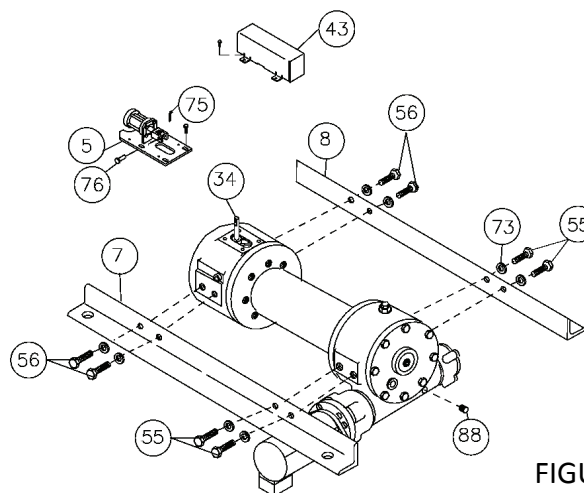


FIGURE 1

## FIGURE 2

Retirez les deux vis d'assemblage (n° 53) du carter d'embrayage (n° 21) et débloquent l'embrayeur (n° 34). Retirez le carter d'embrayage de l'extrémité de l'arbre moteur. Appuyez sur la plaque de retenue (n° 93) afin de relâcher la tension sur le ressort, puis retirez la bague de retenue (n° 96). Retirez les quatre vis d'assemblage (n° 44), la plaque de retenue (n° 93), les ressorts (n° 99) et l'entretoise (n° 35).

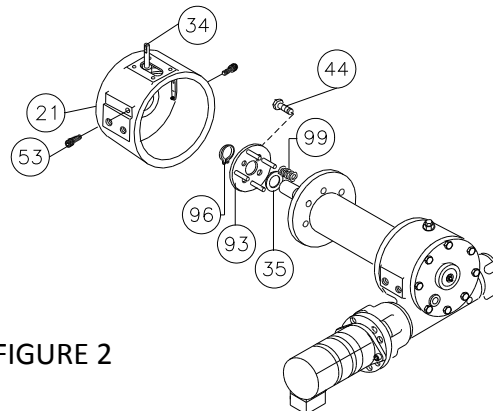


FIGURE 2

## FIGURE 3

Faites glisser la bague de blocage (n° 14) de l'embrayage. REMARQUE : la bague de blocage ne peut pas être retirée si l'embrayage n'est pas enclenché, avec les chevilles de centrage (n° 90) placées dans les rainures de l'arbre. Faites tourner le tambour de manière à pouvoir retirer les huit billes (n° 39) et les quatre chevilles de centrage (n° 90). Le cas échéant, l'embrayage (n° 13) peut être démonté du tambour en retirant les huit vis d'assemblage (n° 50). Faites glisser le tambour (n° 18) de son arbre.

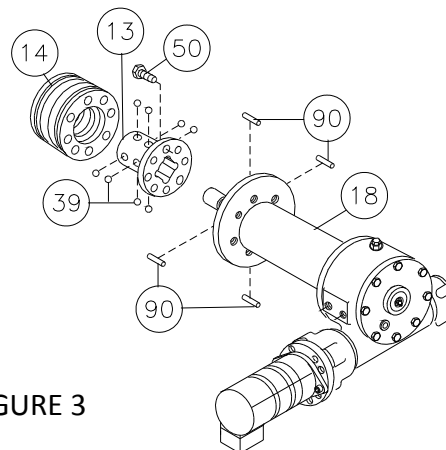


FIGURE 3

#### FIGURE 4

Retirez le moteur (n° 85) de la plaque adaptatrice (n° 29) en retirant les vis d'assemblage (n° 59). Pour retirer la plaque adaptatrice et le raccordement (n° 3) de l'adaptateur (n° 6), dévissez les huit vis d'assemblage (n° 56).

Retirez la clavette (n° 26) de l'arbre à vis sans fin. Dévissez les six vis d'assemblage (n° 58) et retirez l'adaptateur de la boîte d'engrenages. Remplacez le joint d'étanchéité (n° 94) et le joint statique (n° 78) de l'adaptateur.

Examinez le sabot d'appui (n° 17), l'entretoise (n° 103) et les ressorts (n° 98), et remplacez-les si besoin est.

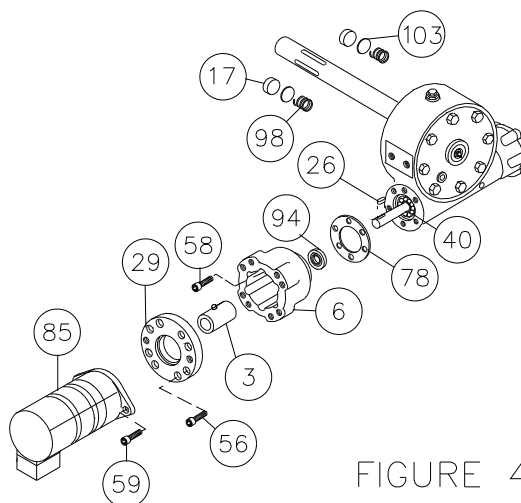


FIGURE 4

#### FIGURE 5

Retirez les six vis d'assemblage (n° 57) pour sortir le carter de frein (n° 20) de la boîte d'engrenages. Reportez-vous à la rubrique *Entretien du frein de maintien de charge statique refroidi par huile* de la page 31.

Retirez la clavette (n° 25) de l'arbre à vis sans fin. Retirez la vis sans fin (n° 36) et les roulements (n° 40) de la boîte d'engrenages. Utilisez un marteau-caoutchouc pour tapoter l'extrémité d'entrée de la vis sans fin et sortir cette dernière ainsi que le roulement de la boîte d'engrenages. Une fois la vis sans fin retirée de la boîte, le roulement peut se dégager du bout de la vis sans fin. Examinez la vis sans fin (n° 36) et les roulements (n° 40) afin de vous assurer qu'ils ne sont ni usés ni endommagés, et remplacez-les le cas échéant.

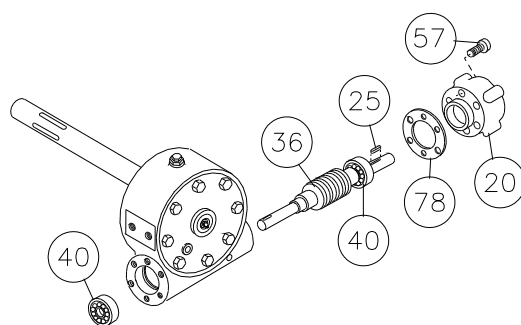


FIGURE 5

#### FIGURE 6

Retirez le couvercle (n° 16) de la boîte d'engrenages (n° 22) en dévissant les huit vis d'assemblage (n° 47). Enfilez deux de ces vis dans les deux trous taraudés du couvercle et serrez-les. Ceci désolidarise le couvercle de la boîte d'engrenages. Retirez le joint statique (n° 80) du couvercle et tirez l'arbre (n° 32) avec la roue (n° 19) et l'entretoise (n° 101) de la boîte d'engrenages.

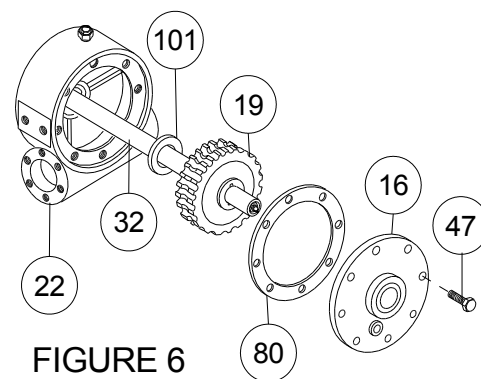


FIGURE 6

#### FIGURE 7

Remplacez la roue, le cas échéant. Vérifiez les raccords de graissage (n° 84) et le réducteur (n° 87), et remplacez-les si nécessaire.

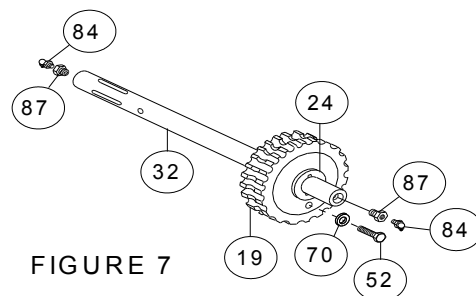


FIGURE 7

### FIGURE 8

Si l'arbre et/ou le moyeu d'engrenage sont endommagés, remplacez-les comme indiqué ci-dessous :

- Tapotez sur les clavettes (n° 27) afin de les placer dans les rainures courtes de l'arbre du tambour (n° 32).
- Enfoncez l'arbre (n° 32) et les clavettes dans le moyeu d'engrenage (n° 19) jusqu'à ce que l'extrémité des clavettes de la longue extrémité de l'arbre soit au même niveau que le moyeu.

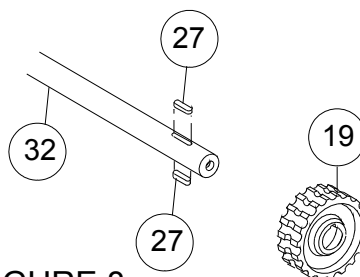


FIGURE 8

### FIGURE 9

Vérifiez que la bague de la boîte d'engrenages (n° 10) et le joint torique (n° 86) ne sont pas usés. Si nécessaire, remplacez-les en appuyant sur la bague usagée pour la sortir de la boîte d'engrenages (n° 22). Appuyez sur la bague neuve pour la mettre en place et insérez un joint torique neuf (n° 86) dans la rainure à l'intérieur de la bague.

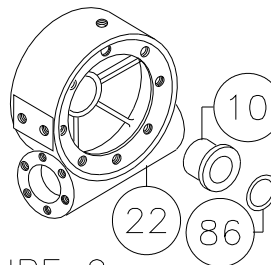


FIGURE 9

### FIGURE 10

Vérifiez les bagues du tambour (n°s 41 et 42) pour déceler les signes d'usure. Le cas échéant, sortez-les du tambour (n° 18) pour les remplacer. Placez la bague (n° 41) dans l'alésage du tambour avec sa bride contre le bas du contre-alésage. Pressez la bague (n° 42) dans l'alésage opposé du tambour jusqu'à ce que l'extrémité de la bague dépasse de 12 mm de l'extrémité du tambour.

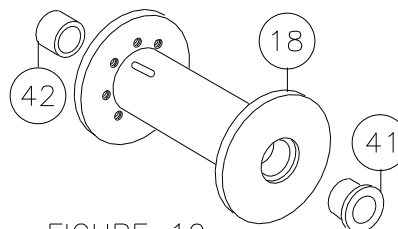


FIGURE 10

### FIGURE 11

Vérifiez la bague (n° 42) pour déceler toute trace d'usure. Le cas échéant, retirez la bague usagée et remplacez-la par une neuve.

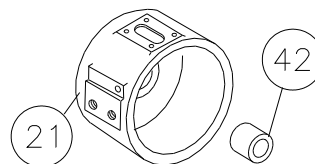


FIGURE 11

### FIGURE 12

Vérifiez que la bague du couvercle (n° 10) et le joint torique (n° 86) ne sont pas usés. Si nécessaire, remplacez-les en appuyant sur la bague usagée pour la sortir de la boîte d'engrenages (n° 16). Appuyez sur la bague neuve pour la mettre en place et insérez un joint torique neuf (n° 86) dans la rainure à l'intérieur de la bague.

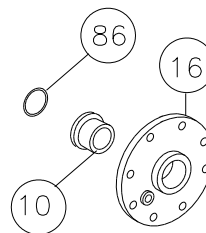


FIGURE 12

### FIGURE 13

Faites glisser l'entretoise (n° 101) sur la longue extrémité de l'arbre et placez-la contre le moyeu d'engrenage. Appliquez de la graisse à l'extrémité de l'arbre, à l'opposé de l'engrenage. Appliquez de la graisse sur la bague de la boîte d'engrenages (n° 22). Placez l'extrémité graissée de l'arbre dans la bague de la boîte d'engrenages (n° 22). Placez le joint statique (n° 80) sur le couvercle de la boîte d'engrenages (n° 16). Appliquez de la graisse sur l'extrémité engrenages de l'arbre et sur la bague. Placez le couvercle sur l'arbre et fixez-le à la boîte au moyen des huit vis d'assemblage (n° 47). Serrez chaque vis à un couple de 53 Nm.

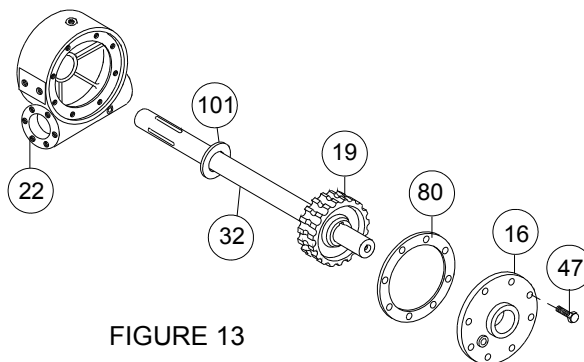


FIGURE 13

### FIGURE 14

Placez le roulement (n° 40) sur la vis sans fin (n° 36). **REMARQUE** : assurez-vous que l'épaule épais du chemin de roulement du palier (côté avec le nom du fabricant et le numéro de référence) n'est pas vers les filets de la vis sans fin. Appuyez sur le roulement et sur la vis sans fin pour les placer dans la boîte d'engrenages. Faites glisser le joint statique (n° 78) sur le carter de frein (n° 20). Utilisez six vis d'assemblage (n° 57) pour fixer le carter de frein sur la boîte d'engrenages. Serrez chaque vis à un couple de 61 Nm. Insérez la clavette (n° 25) dans la rainure de la vis sans fin. Reportez-vous à la page 8 pour les instructions de remontage et de vérification du frein à vis sans fin.

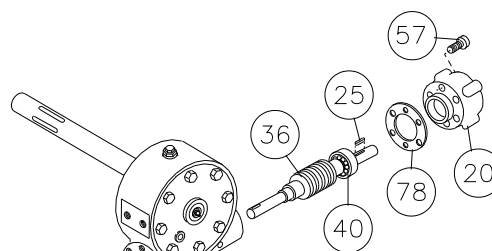


FIGURE 14

### FIGURE 15

Pressez le palier (n° 40) sur la vis sans fin et dans la boîte. **REMARQUE** : assurez-vous que l'épaule épais du chemin de roulement du palier (côté avec le nom du fabricant et le numéro de référence) n'est pas vers les filets de la vis sans fin. Utilisez les six vis d'assemblage (n° 58) pour fixer l'adaptateur (n° 6) à la boîte d'engrenages. Serrez chaque vis à un couple de 61 Nm. Insérez la clavette (n° 26) dans la rainure de la tige à vis sans fin. Faites glisser le raccordement (n° 3) sur l'extrémité de la tige à vis sans fin. Utilisez les six vis d'assemblage (n° 56) pour fixer la plaque de l'adaptateur (n° 29) à l'adaptateur. Serrez chaque vis à un couple de 28 Nm. Placez l'arbre du moteur, avec la clavette dans sa rainure, dans le raccordement. Utilisez deux vis d'assemblage (n° 59) pour fixer le moteur (n° 85) à l'adaptateur. Serrez chaque vis à un couple de 138 Nm.

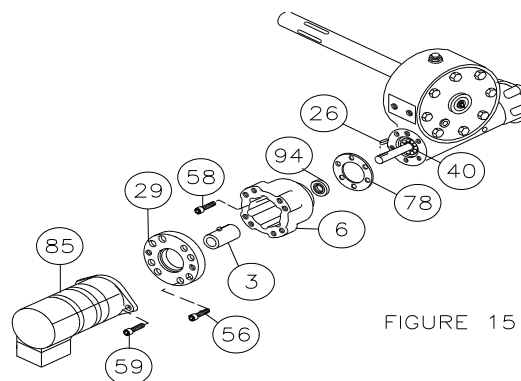


FIGURE 15

### FIGURE 16

Placez le treuil sur l'établi avec le couvercle de la boîte d'engrenages tourné vers le bas. L'arbre du tambour doit être en position verticale. Placez les ressorts (n° 98) dans les logements correspondants de la boîte d'engrenages avec les sabots d'appui (n° 17) sur le disque (n° 103) et sur les ressorts. Appliquez de la graisse sur l'arbre et sur les bagues du tambour. Faites glisser le tambour (n° 18) sur son arbre comme indiqué sur le schéma.

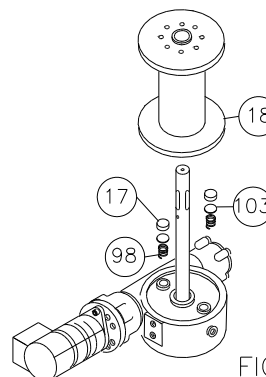


FIGURE 16



### FIGURE 17

Placez l'embrayage (n° 13) sur l'extrémité de l'arbre du tambour. Alignez l'embrayage par-dessus la bague pilote du tambour. Installez les huit vis d'assemblage (n° 50) et serrez-les à un couple de 138 Nm pour bien fixer l'embrayage sur le tambour. Faites tourner le tambour pour aligner les fentes de l'embrayage sur les rainures de clavettes de l'arbre. Graissez légèrement quatre chevilles de centrage (n° 90) et huit (n° 39). Utilisez de la graisse au bisulfure de molybdène ou graphitée pour roulements. Insérez les quatre chevilles de centrage (n° 90) et les huit billes (n° 39). En position enclenchée, les billes sont presque de niveau avec l'embrayage. Graissez légèrement l'alésage et les rainures externe et interne de la bague de blocage (n° 14) et de l'embrayage (n° 13). Faites glisser la bague de blocage sur l'embrayage. Lorsqu'elle est entièrement engagée, la bague de blocage touche la collerette de l'embrayage, et 18 à 18,5 mm se trouvent entre l'extrémité de la bague et celle de l'embrayage.

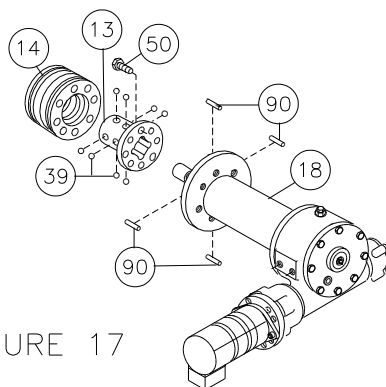


FIGURE 17

### FIGURE 18

Placez quatre ressorts (n° 99) sur les quatre goupilles cylindriques de la plaque de retenue (n° 93). Installez l'entretoise (n° 35) et la plaque de retenue, et fixez l'embrayage au moyen des quatre vis d'assemblage (n° 44). Serrez chaque vis à un couple de 13 Nm. Mettez la bague de retenue (n° 96) bien en place dans la rainure de l'arbre du tambour. Placez l'embrayeur de manière à ce que les têtes de vis s'engagent dans la rainure externe de la bague de blocage (n° 14). Poussez le carter d'embrayage (n° 21) sur l'arbre du tambour et bloquez l'embrayeur en position rentrée enclenchée. Insérez les deux vis d'assemblage (n° 53).

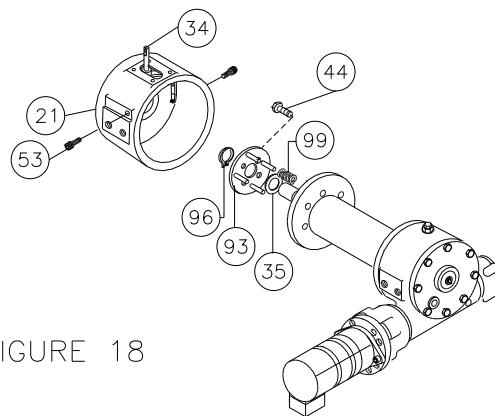


FIGURE 18

### FIGURE 19

Fixez les cornières de montage (n° 7 et 8) sur le treuil. Utilisez les vis d'assemblage (n° 55 et 56) et les rondelles de sécurité (n° 73). Serrez chaque vis à un couple de 393 Nm. Insérez le bouchon (n° 88) dans le trou au bas de la boîte d'engrenages. Retirez les bouchons (n° 81 et 87) du haut de la boîte. Versez 1,7 l d'huile E.P. 140 dans le trou et remettez les bouchons en place. Fixez l'embrayeur, mais n'appliquez pas de couple de serrage avant de le régler (voir page 9). Fixez la chape (n° 33) sur l'arbre (n° 34) au moyen de la goupille (n° 76) et de la goupille fendue (n° 75). Fixez le couvercle (n° 43).

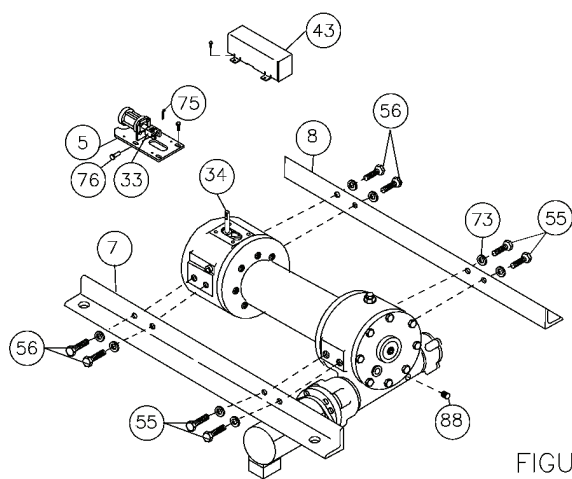
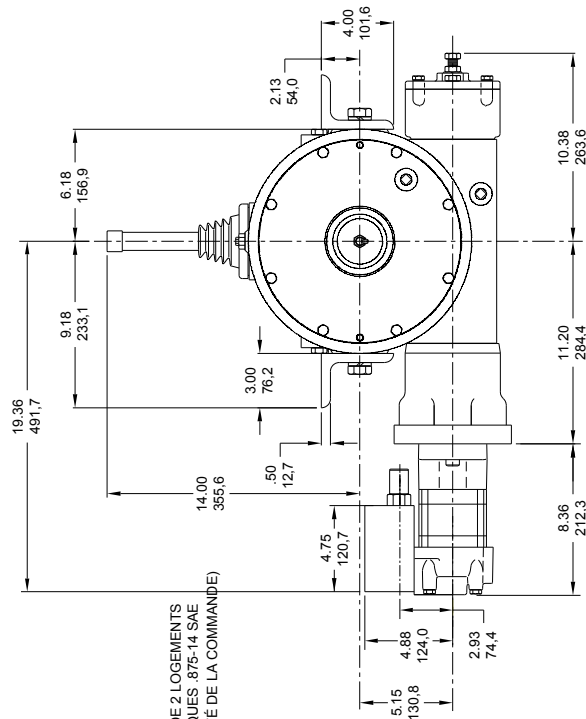
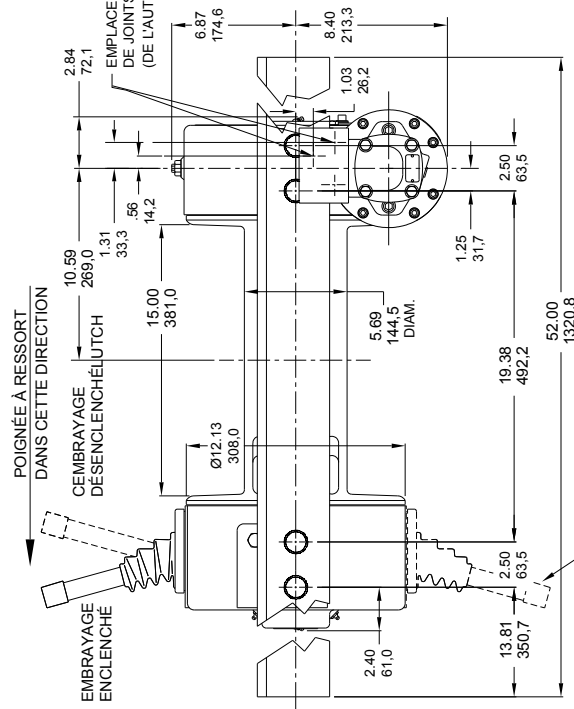


FIGURE 19



LES DIMENSIONS SONT INDIQUEES EN POUCES PUIS EN MILLIMETRES.



POIGNÉE À RESSORT  
DANS CETTE DIRECTION

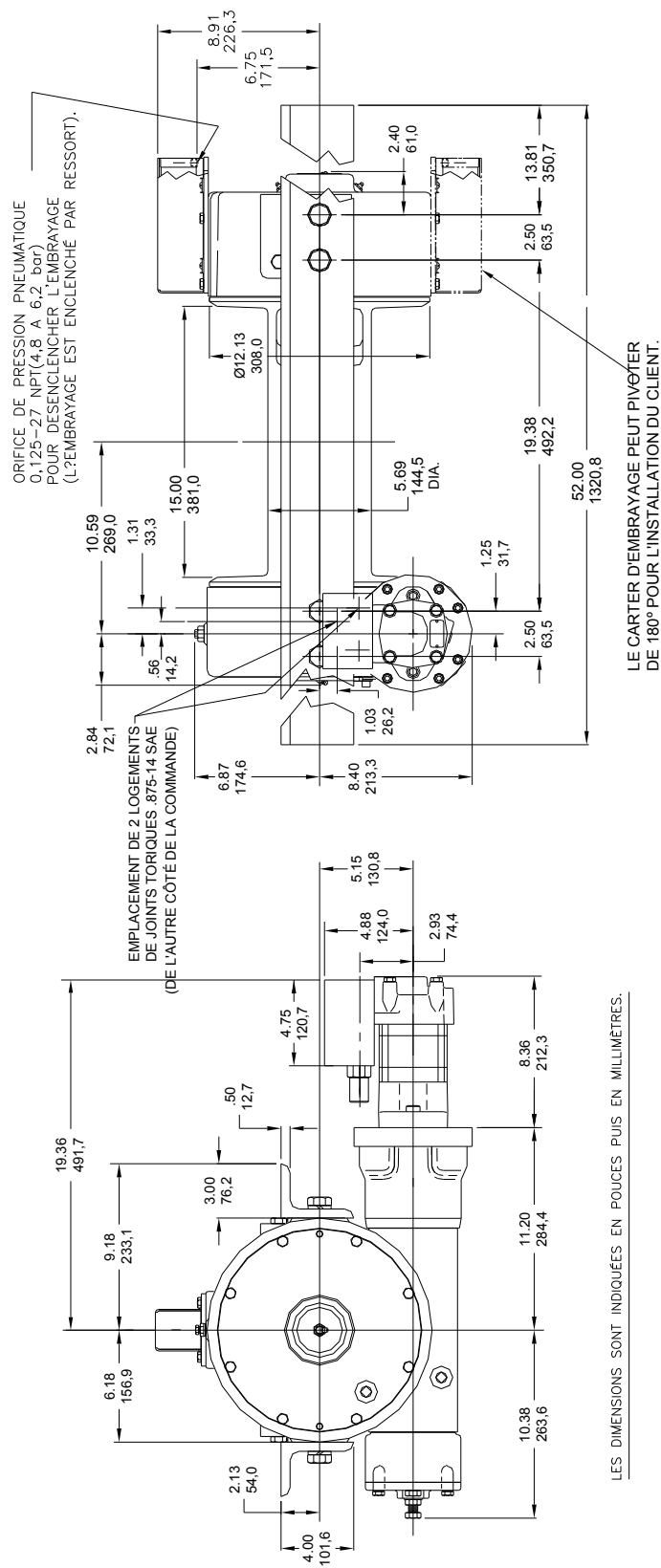
EMBRAYAGE  
ENCLENCHE

EMBRAYAGE  
DÉSENCLENCHÉ

EMPLACEMENT DE 2 LOGEMENTS  
DE JOINTS TORIQUES .875-14 SAE  
(DE L'AUTRE CÔTÉ DE LA COMMANDE)

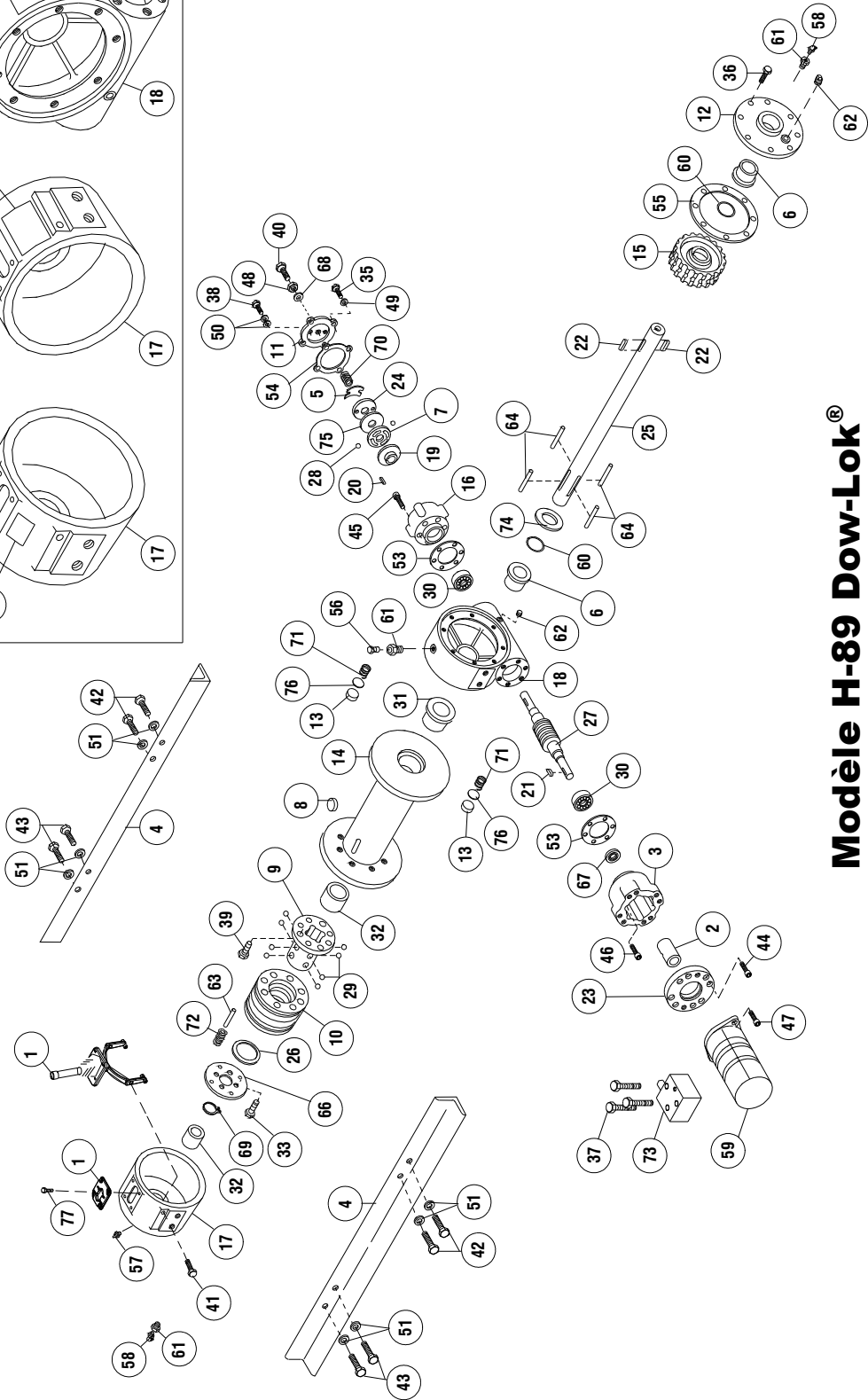
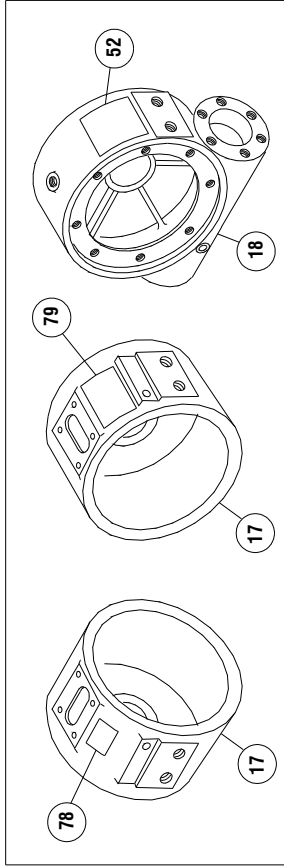
LE CARTER D'EMBRAYAGE  
PEUT PIVOTER DE 180° POUR  
L'INSTALLATION DU CLIENT.

## Modèle H-89 Dow-Lok®



## Modèle H-89 Dow-Lok® Embrayeur pneumatique

# Emplacement des étiquettes

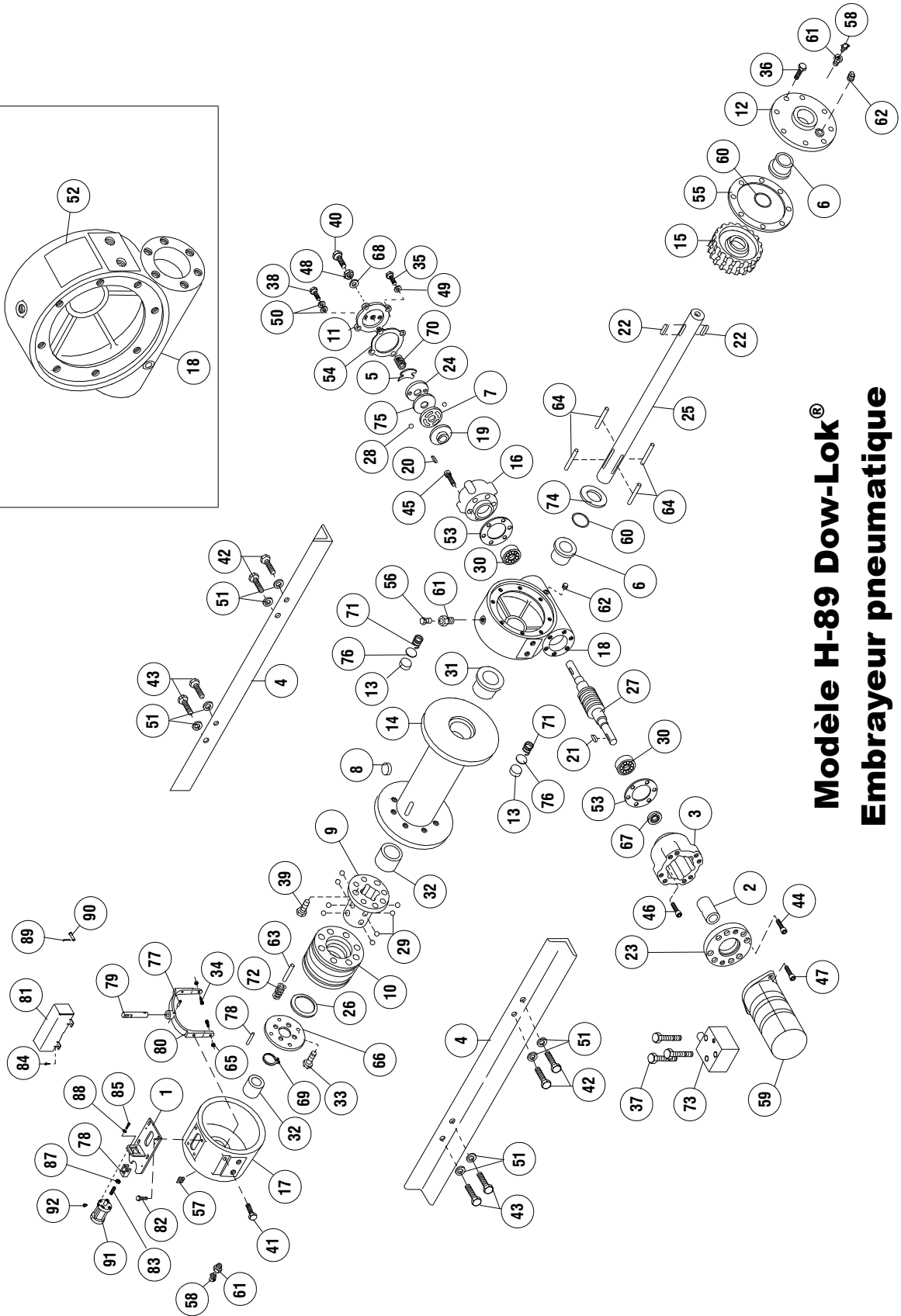
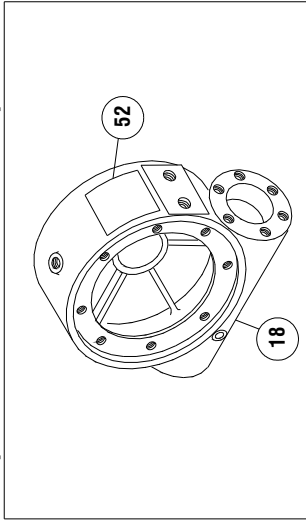


**Modèle H-89 Dow-Lok®**

## LISTE DES PIÈCES DU MODÈLE H-89 DOW-LOK® À EMBRAYAGE MANUEL

N°	Qté	N° réf.	Description	N°	Qté	N° réf.	Description
1	1	276033	EMBRAYEUR MANUEL	41	2	414619	VIS ASSEMB. 1/2-13 NC x 2,50 po (long) HEX TOUT FILET, GALVANISÉE
2	1	299733	RACCORDEMENT	42	4	414751	VIS ASSEMB. 3/4-10 NC x 1,75 po, GR. 5, NYLOK HVY PATCH
3	1	300048	ADAPTATEUR	43	4	414777	VIS ASSEMB. 3/4-10 NC x 1,75 po, GR. 5
4	2	302711	CORNIÈRE - STD.	44	8	414871	VIS ASS. 5/16-18 NC x 1,25 po (long) TÊTE CREUSE, LOK-WEL
5	1	306035	RESSORT - PLAT	45	6	414897	VIS ASS. 3/8-16 NC X 1 po (long) TÊTE CREUSE
6	2	308083	BAGUE	46	6	414909	VIS ASS. 3/8-16 NC x 1,75 po (long) TÊTE CREUSE, LOK-WEL
7	1	314007	DISQUE À CAME	47	2	414950	VIS ASS. 1/2-13 NC x 1,75 po (long) TÊTE CREUSE, LOK-WEL
8	1	314010	ANCRAGE DE CÂBLE (TAMBOUR « STD » UNIQUEMENT)	48	1	418067	CONTRE-ÉCROU HEX 1/2-20 NF
9	1	324151	EMBRAYAGE	49	4	418163	RONDELLE DE SECURITE - 5/16 SECT. MOY. GALVANISÉE
10	1	324318	BAGUE DE BLOCAGE	50	4	418184	RONDELLE - PLATE 3/8. ALUMINIUM
11	1	328027	COUVERCLE - FREIN	51	8	418249	RONDELLE DE SECURITE 3/4 SECT. MOY.
12	1	328122	COUVERCLE - BOÎTE D'ENGRENAGES	52	1	434583	ÉTIQUETTE SIGNALÉTIQUE
13	2	330010	SABOT D'APPUI	53	2	442192	JOINT STATIQUE
14	1	332167	TAMBOUR (STANDARD)	54	1	442194	JOINT STATIQUE
15	1	334188	ENGRENAGE DROIT	55	1	442195	JOINT STATIQUE
16	1	338221	CARTER - FREIN	56	1	456008	RACCORD DE DÉGAGEMENT
17	1	338235	CARTER - EMBRAYAGE	57	1	456031	RACCORD DE GRAISSAGE
18	1	338242	BOÎTE - ENGRENAGES	58	2	456039	RACCORD DE GRAISSAGE
19	1	340011	MOYEU - FREIN	59	1	458106	MOTEUR HYD.
20	1	342053	CLAVETTE	60	2	462013	JOINT QUAD-RING
21	1	342092	CLAVETTE	61	3	468002	RÉDUCTEUR
22	2	342153	CLAVETTE	62	2	468011	BOUCHON CYLINDRIQUE
23	1	350535	PLATEAU HYD. ADAPTATEUR	63	4	470042	GOUVILLE CYLINDRIQUE
24	1	352021	PLAQUE DE RETENUE	64	4	470044	CHEVILLE DE CENTRAGE
25	1	357498	ARBRE - TAMBOUR (STD)	65	4	470056	GOUVILLE CYLINDRIQUE
26	1	362224	ENTRETOISE	66	1	474030	PLAQUE DE RETENUE
27	1	368082	VIS SANS FIN DROITE	67	1	486068	JOINT À HUILE
28	2	400007	BILLE - FREIN	68	1	486076	JOINT FILETÉ
29	8	400011	BILLE - EMBRAYAGE	69	1	490025	BAGUE DE RETENUE
30	2	402045	ROULEMENT - BILLE	70	1	494010	RESSORT
31	1	412051	BAGUE	71	2	494022	RESSORT - DISQUE
32	2	412052	BAGUE	72	4	494069	RESSORT
33	4	414038	VIS ASSEMB. 1/4-20 NC x 3/4 po (long) TÊTE HEX. GR. 5	73	1	516059	CONTREPOIDS DU DISTRIBUTEUR
34	4	414069	VIS ASSEMB. 5/16-18 NC x 3/4 po (long) TÊTE HEX.	74	1	518016	RONDELLE DE BUTÉE
35	4	414111	VIS ASSEMB. 5/16-18 NC x 1 po (long) TÊTE HEX. GR. 5	75	1	530007	DISQUE - FREIN
36	8	414277	VIS ASS. 3/8-16 NC x 1 po (long) HEX. GR. 5, NYLOK HVY PATCH	76	2	530094	ENTRETOISE - FREIN
37	3	414305	VIS ASS. 3/8-16 NC x 3,25 po (long) HEX., GALVANISÉE, GR. 5	77	4	414126	VIS D'ASSEMBLAGE 5/16-18 NC x 3/4 po (long) TÊTE HEX.
38	2	414399	VIS ASSEMB. 3/8-24 NF x 1,25 po (long) TOUT FILET, GR. 5	78	1	434173	ÉTIQUETTE ENCLENCH./DÉSENCLENCH. EMBRAYAGE
39	8	414571	VIS ASSEMB. 1/2-20 NF x 1 po (long) TÊTE HEX. GR. 5	79	1	434174	ÉTIQUETTE DU FONCTIONNEMENT DE L'EMBRAYAGE
40	1	414603	VIS ASSEMB. 1/2-20 NF x 1,75 po (long) TOUT FILET, GR. 5				

# Emplacement des étiquettes



# Modèle H-89 Dow-Lok® Embrayeur pneumatique

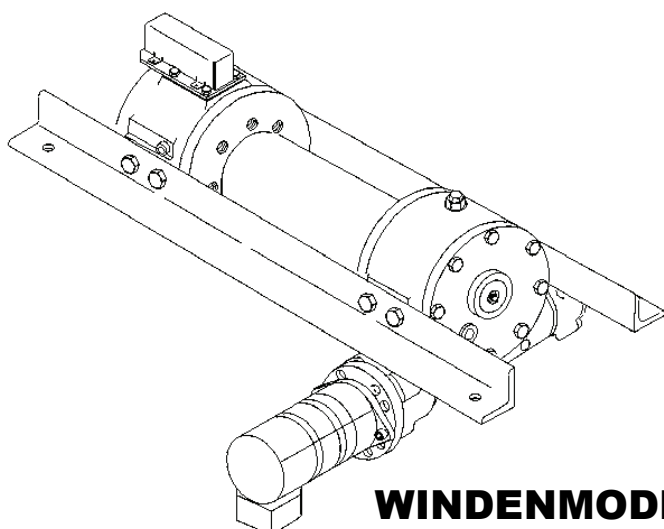
## LISTE DES PIÈCES DU MODÈLE H-89 DOW-LOK® À EMBRAYAGE PNEUMATIQUE

N°	Qté	N° réf.	Description	N°	Qté	N° réf.	Description
1	1	299695	SUPPORT D'EMBRAYEUR PNEUMATIQUE	48	1	418067	CONTRE-ÉCROU HEX 1/2-20 NF
2	1	299733	RACCORDEMENT	49	4	418163	RONDELLE DE SECURITE - 5/16 SECT. MOY., GALVANISÉE
3	1	300048	ADAPTATEUR	50	4	418184	RONDELLE - PLATE 3/8, ALUMINIUM
4	2	302711	CORNIÈRE - STD.	51	8	418249	RONDELLE DE SECURITE 3/4 SECT. MOY.
5	1	306035	RESSORT - PLAT	52	1	434583	ÉTIQUETTE SIGNALÉTIQUE
6	2	308083	BAGUE	53	2	442192	JOINT STATIQUE
7	1	314007	DISQUE À CAME	54	1	442194	JOINT STATIQUE
8	1	314010	ANCRAGE DE CÂBLE (TAMBOUR « STD » UNIQUEMENT)	55	1	442195	JOINT STATIQUE
9	1	324151	EMBRAYAGE	56	1	456008	RACCORD DE DÉGAGEMENT
10	1	324318	BAGUE DE BLOCAGE	57	1	456031	RACCORD DE GRAISSAGE
11	1	328027	COUVERCLE - FREIN	58	2	456039	RACCORD DE GRAISSAGE
12	1	328122	COUVERCLE - BOÎTE D'ENGRENAGES	59	1	458106	MOTEUR HYD.
13	2	330010	SABOT D'APPUI	60	2	462013	JOINT QUAD-RING
14	1	332167	TAMBOUR (STANDARD)	61	3	468002	RÉDUCTEUR
15	1	334188	ENGRENAGE DROIT	62	2	468011	BOUCHON CYLINDRIQUE
16	1	338221	CARTER - FREIN	63	4	470042	GOUPILLE CYLINDRIQUE
17	1	338235	CARTER - EMBRAYAGE	64	4	470044	CHEVILLE DE CENTRAGE
18	1	338242	BOÎTE - ENGRENAGES	65	4	470056	GOUPILLE CYLINDRIQUE
19	1	340011	MOYEU - FREIN	66	1	474030	PLAQUE DE RETENUE
20	1	342053	CLAVETTE	67	1	486068	JOINT À HUILE
21	1	342092	CLAVETTE	68	1	486076	JOINT FILETÉ
22	2	342153	CLAVETTE	69	1	490025	BAGUE DE RETENUE
23	1	350535	PLATEAU HYD. ADAPTATEUR	70	1	494010	RESSORT
24	1	352021	PLAQUE DE RETENUE	71	2	494022	RESSORT - DISQUE
25	1	357498	ARBRE - TAMBOUR (STD)	72	4	494069	RESSORT
26	1	362224	ENTRETOISE	73	1	516059	CONTREPOIDS DU DISTRIBUTEUR
27	1	368082	VIS SANS FIN DROITE	74	1	518016	RONDELLE DE BUTÉE
28	2	400007	BILLE - FREIN	75	1	530007	DISQUE - FREIN
29	8	400011	BILLE - EMBRAYAGE	76	2	530094	ENTRETOISE - FREIN
30	2	402045	ROULEMENT - BILLE	77	1	470045	GOUPILLE CYLINDRIQUE
31	1	412051	BAGUE	78	1	358067	CHAPE
32	2	412052	BAGUE	79	1	358069	ARBRE D'EMBRAYEUR
33	4	414038	VIS D'ASSEMBLAGE 1/4-20 NC x 3/4 po (long) TÊTE HEX. GR. 5	80	1	370047	FOURCHETTE
34	4	414069	VIS D'ASSEMBLAGE 5/16-18 NC x 3/4 po (long) TÊTE HEX.	81	1	413074	COUVERCLE - EMBRAYEUR PNEUMATIQUE
35	4	414111	VIS D'ASSEMBLAGE 5/16-18 NC x 1 po (long) TÊTE HEX. GR. 5	82	4	414126	VIS D'ASSEMBLAGE 5/16-18 NC x 3/4 po (long) TÊTE HEX.
36	8	414277	VIS D'ASSEMBLAGE 3/8-16 NC x 1 po (long) HEX. GR. 5, NYLOK HVY PATCH	83	1	416061	VIS DE PRESSION 3/8-24 NF x 1,25 po (long)
37	3	414305	VIS D'ASSEMBLAGE 3/8-16 NC x 3,25 po (long) HEX., GALVANISÉE, GR. 5	84	4	416214	VIS N° 10-32 NF x 1/4 po (long), TÊTE RONDE, GALVANISÉE
38	2	414399	VIS D'ASSEMBLAGE 3/8-24 NF x 1,25 po (long) TOUT FILET, GR. 5	85	4	416262	VIS N° 10-32 NF x 3/4 po (long), TÊTE CREUSE, GALVANISÉE
39	8	414571	VIS D'ASSEMBLAGE 1/2-20 NF x 1 po (long) TÊTE HEX. GR. 5	86	2	418035	ÉCROU NORMAL - HEX 3/8-16 NF GALVANISÉ
40	1	414603	VIS D'ASSEMBLAGE 1/2-20 NF x 1,75 po (long) TOUT FILET, GR. 5	87	1	418041	CONTRE-ÉCROU HEX 3/8-24 NF
41	2	414619	VIS D'ASSEMB. - 1/2-13 NC x 2,50 po (long) HEX TOUT FILET, GALVANISÉE	88	4	418141	RONDELLE DE SECURITE NO 10 SECT. MOY. GALVANISÉE
42	4	414751	VIS D'ASSEMBLAGE 3/4-10 NC x 1,75 po (long), GR. 5	89	1	424005	GOUPILLE FENDUE
43	4	414777	VIS D'ASSEMBLAGE 3/4-10 NC x 1,75 po (long), GR. 5	90	1	424029	GOUPILLE DE CHAPE
44	8	414871	VIS D'ASSEMBLAGE 5/16-18 NC x 1,25 po (long) TÊTE CREUSE, LOK-WEL	91	1	433016	CYLINDRE PNEUMATIQUE
45	6	414897	VIS D'ASSEMBLAGE 3/8-16 NC x 1 po (long) TÊTE CREUSE	92	1	456038	RENIFLARD
46	6	414909	VIS D'ASSEMBLAGE 3/8-16 NC x 1,75 po (long) TÊTE CREUSE, LOK-WEL				
47	2	414950	VIS D'ASSEMBLAGE 1/2-13 NC x 1,75 po (long) TÊTE CREUSE, LOK-WEL				



**BETRIEBS-,  
INSTANDHALTUNGS-  
UND  
WARTUNGSHANDBUCH**

English (Original Instructions)..... 1  
Francais (Translation of the Original Instructions).... 25  
Deutsch (Translation of the Original Instructions)..... 48  
Espanol (Translation of the Original Instructions) .... 72



**WINDENMODELL H-89**

**VERWENDUNGSZWECK: BERGEN VON FAHRZEUGEN UND  
ZIEHEN VON LASTEN**



**ACHTUNG: VOR DER MONTAGE UND INBETRIEBNAHME DER WINDE MUSS DIESES  
HANDBUCH GELESEN UND VERSTANDEN WERDEN. SIEHE WARNHINWEISE!**

**Ramsey Winch Company**

P. O. Box 581510 - Tulsa, OK 74158-1510, USA  
Telefon: +1 (918) 438-2760 - Fax +1 (918) 438-6688  
Besuchen Sie uns: <http://www.ramsey.com>

**Ramsey Bevollmächtigter in der Europäischen Union:**

(Bitte nur bei Regulierungsfragen kontaktieren.)

Alura Group BV  
P.O. Box 18626  
2502 EP The Hague  
The Netherlands  
Tel: (31) (0) 70 362-4896  
Fax: (31) (0) 70 346-7299



## **Inhaltsverzeichnis**

Warnhinweise .....	51
Benutzerverantwortung für EG-Compliance.....	51
Hinweise zum Betrieb .....	52-53
Wartung der Winde.....	53
Montage der Winde.....	53
Auflegen des Seils.....	54
Einstellen des ölgekühlten Bremsenhalts.....	55
Wartung des ölgekühlten Bremsenhalts.....	55
Wiedereinbau und Prüfung der Bremse.....	56
Prüfen des richtigen Einbaus der Bremse.....	56
Einstellung des pneumatischen Kupplungshebels.....	57
Fehlersuche.....	58
Hydraulikanforderungen.....	59
Typische Hydraulikanordnung.....	59
Leistungsdiagramme.....	60
Anweisungen zum Überholen.....	61-65
Maßzeichnungen.....	66-67
Teilezeichnungen und Teilelisten.....	68-71
EG-Konformitätserklärung.....	72

<b>Nominale Zugkraft</b>	89,0 kN	<b>Lärmpegel:</b> 80 dB(A) ohne Last		
	20000 lbs	<b>Getriebeuntersetzung</b>		40:1
<b>Seillage</b>		1	2	3
<b>*Nominale Zugkraft pro Lage</b>	kN	89,0	73,8	63,2
	(lb)	20,000	16,600	14,200
<b>*Seilkapazität pro Lage</b>	m*	10	23	38
	(ft)*	35	75	125
<b>*Seilgeschwindigkeit</b>	MPM	5,4	6,3	7,2
<b>114 l/min (30 GPM)</b>	(FPM)	18	21	24
* Diese technischen Daten basieren auf dem empfohlenen Drahtseil (16 mm Drahtstärke, Sorte 1960) und einem 244 cm <sup>3</sup> /R Motor.				

## Warnhinweise

- Der Besitzer muss sicherstellen, dass das Bedienpersonal die erforderliche Schulung erhält.
- Der Bediener muss beim Betrieb stets die Bedienungsanweisungen befolgen.
- Vor Beginn des Windenbetriebs muss sichergestellt werden, dass die Kupplung vollständig eingerückt ist.
- Die Kupplung niemals bei anliegender Last ausrücken.
- Niemals unter oder neben angehobenen Lasten stehen.
- Während des Ziehens einen sicheren Abstand zum Seil einhalten. Nicht versuchen, das Seil zu lenken.
- Das Ziehen von Lasten über der Nennkapazität der Winde ist untersagt.
- Keine festen oder blockierten Lasten ziehen.
- Die Winde nicht zum Heben, Abstützen oder für anderweitigen Transport von Personen verwenden.
- Zum Halten der Last sind mindestens 2 Seilwicklungen um die seiltrommel notwendig.
- Bedingungen vermeiden, bei denen sich die Last verschiebt oder ruckartige Bewegungen vorkommen. Übermäßigen „Tippbetrieb“ vermeiden.

## VERANTWORTUNG DES BENUTZERS BEZÜGLICH CE-COMPLIANCE

1. Nur ein Durchfluss-Wegeventil (Motorwicklung) gemäß den Hydraulikanforderungen verwenden.
2. Wenn ein fernbedienter Windensteuerschieber verwendet wird, siehe die Hydraulikanforderungen für zu installierende Notstoppskomponenten.
3. Hydrauliküberdruck gemäß den Hydraulikanforderungen anpassen.
4. Den erforderlichen Hydraulikmotor und „A“-Anschluss-Motorregelschieber gemäß den Hydraulikanforderungen installieren.
5. Die Winde gemäß den Windeninstallationsanweisungen montieren.
6. Drahtseil (16 mm Drahtstärke, Sorte 1960) installieren. Die maximale Seillänge für maximal drei Lagen beträgt 38 m. Das Seil gemäß den Seilinstallationsanweisungen an der Trommel befestigen. Der Haken muss eine Sicherheitssperre und eine minimale Abreißfestigkeit von 225 kN aufweisen.

## HINWEISE ZUM BETRIEB

Um mit der Funktion der Winde vertraut zu werden, sollten vor der tatsächlichen Verwendung Probeläufe durchgeführt werden. Die Probeläufe im Voraus planen. Beim Betrieb hören und sehen Sie die Winde. Werden Sie mit den Geräuschen vertraut, die bei einem leichten konstanten Zug, schweren Zug und bei ruckartigen Bewegungen oder Verschiebung der Last zu hören sind. Nachdem Sie sich mit allen Funktionen der Winde vertraut gemacht haben, ist deren Bedienung sehr einfach. Ein ungleichmäßiges Spulen des Seils beim Ziehen einer Last stellt kein Problem dar, außer wenn sich das Seil an einem Trommelende aufstaut. In diesem Fall muss die Winde reversiert werden, um die Last vom Seil zu nehmen, und der Ankerpunkt muss weiter zur Fahrzeugmitte verschoben werden. Nach Gebrauch kann die Winde abgespult und das Seil in sauberen Lagen aufgewickelt werden.

Die **Dow-Lok<sup>®</sup>** Kupplung ermöglicht den Seilfreilauf und das Einrücken der Seiltrommel. Bei ausgerückter Kupplung kann das Seil im Freilauf von der Trommel abgezogen werden. Zum Einziehen der Last muss die Kupplung vollständig in der Trommel eingerückt sein.

Ein Bolzen an der Unterseite des Kupplungshebels, der in die Sperrschlitze eingreift, verriegelt die **Dow-Lok<sup>®</sup>** Kupplung entweder in der eingerückten (IN) oder ausgerückten (OUT) Stellung.

### ENTRIEGELN DER KUPPLUNG

Die Winde im Rücklauf (Abwickelrichtung) laufen lassen, bis das Seil von der Last befreit ist. Dann den Hebel greifen (zur besseren Kontrolle den Daumen auf die Oberseite des Griffes drücken) und hochziehen, bis der Bolzen aus den Sperrschlitzen befreit ist.

### EINRÜCKEN DER KUPPLUNG

Den Hebel entriegeln und bis zum Anschlag eindrücken (IN-Stellung). Zum Erreichen der vollständigen Einrückung müssen die internen Kupplungsteile ausgerichtet sein. Diese Ausrichtung erfolgt, nachdem sich die Seiltrommel bzw. die Seiltrommelwelle maximal eine Vierteldrehung gedreht hat.

Bei Erreichen dieser Ausrichtung rückt die Kupplung automatisch ein und der Bolzen fällt in die mit IN gekennzeichneten Schlitze. **Niemals versuchen, eine Last zu ziehen, wenn der Bolzen nicht vollständig in die mit IN gekennzeichneten Schlitzen eingeführt ist. Während der automatischen Einrückung des federgelagerten Kupplungshebels den Hebel nicht berühren.**

### AUSRÜCKEN DER KUPPLUNG

Den Hebel entriegeln, bis zur mit OUT gekennzeichneten Stellung herausziehen und den Bolzen vollständig in die Sperrschlitze einführen. Die Kupplung niemals bei anliegender Last ausrücken.

Die **pneumatische Dow-Lok<sup>®</sup>** Kupplung ermöglicht den Seilfreilauf und das Einrücken der Seiltrommel. Bei ausgerückter Kupplung kann das Seil im Freilauf von der Trommel abgezogen werden. Zum Einziehen der Last muss die Kupplung vollständig in der Trommel eingerückt sein.

### EINRÜCKEN DER KUPPLUNG

Vor dem Einrücken der Kupplung muss sichergestellt werden, dass das Seil mindestens 50 cm durchhängt. Dies ermöglicht, dass sich die Trommel zum Einrücken der Kupplung mindestens eine Vierteldrehung drehen kann, bevor die Last gezogen wird. Bei diesem Durchhang des Seils kann die Druckluft aus dem Druckluftzylinder abgelassen werden. Die Winde in Aufwickelrichtung (IN) laufen lassen, bis sich die Kupplung zu drehen beginnt. Vor Beginn des Windenbetriebs muss sichergestellt werden, dass die Kupplung vollständig eingerückt ist.

### AUSRÜCKEN DER KUPPLUNG

Die Winde in Abwickelrichtung (OUT) laufen lassen, bis das Seil von der Last befreit ist. Zum Ausrücken der Kupplung 4,8-6,2 bar Druck am Druckluftzylinder anlegen. **Die Kupplung niemals bei anliegender Last ausrücken.**

Die **Dow-Lok<sup>®</sup>** Kupplung ermöglicht den Seilfreilauf und das Einrücken in der Seiltrommel. Bei ausgerückter Kupplung kann das Seil im Freilauf von der Trommel abgezogen werden. Zum Einziehen der Last muss die Kupplung vollständig in der Trommel eingerückt sein.

## **EINRÜCKEN DER KUPPLUNG**

Den Hebel anheben, sodass die Kerbe von der Halterung freigegeben wird, und vollständig herausziehen. Die Kupplung rückt automatisch ein und verriegelt sich, wenn die Kupplung mit der Trommelwelle ausgerichtet ist. Zum Erreichen der vollständigen Einrückung MÜSSEN die internen Kupplungsteile ausgerichtet sein. Diese Ausrichtung erfolgt, nachdem sich die Seiltrommel bzw. die Seiltrommelwelle maximal eine Vierteldrehung gedreht hat. Eine Last nur ziehen, wenn die Kerbe in der Kupplungshebelwelle sicher verriegelt ist. Während der automatischen Einrückung des federgelagerten Kupplungshebels den Hebel nicht berühren.

## **AUSRÜCKEN DER KUPPLUNG**

Den Hebel anheben, sodass die Kerbe von der Halterung freigegeben wird. Den Hebel einschieben und die Wellenkerbe auf der Halterung verriegeln. Die Kupplung niemals bei anliegender Last ausrücken.

## **WARTUNG DER WINDE**

Bei Einhaltung der folgenden Wartungsintervalle bleibt die Winde stets in optimalem Zustand und sollte mit minimalem Reparaturaufwand ordnungsgemäß funktionieren.

### **A. WÖCHENTLICH**

1. Ölstand prüfen und ggf. bis zur Ölstandsschraube auffüllen. Bei einem Ölleck dessen Lage ausfindig machen und reparieren.
2. Das Überdruckventil an der Oberseite des Getriebekastens überprüfen. Stets in gutem Zustand halten, damit die heißen Ölgase entweichen können.
3. Das Seil mit einem leichten Öl schmieren.

### **B. MONATLICH**

1. Die verschiedenen Schmiernippel an den Enden der Seiltrommelwelle, im Endlager, im Kupplungsgehäuse oder am Kupplungsgestänge schmieren. Ein molybdändisulfidhaltiges Schmierfett guter Qualität verwenden.
2. Prüfen, ob der Sicherungsring federgelagert ist und in eingerückter Stellung unbehindert vollständig an die Seiltrommel verfährt und in

ausgerückter Stellung vollständig von der Seiltrommel zurückgezogen und verriegelt wird.

3. Die Befestigungsschrauben der Winde überprüfen. Fehlende Schrauben ersetzen und lose Schrauben auf das empfohlene Drehmoment festziehen. Nur Schrauben der Sorte 5 oder besser verwenden.
4. Die Drehmomenteinstellung des ölgekühlten Bremsenhalts überprüfen. Alle notwendigen Einstellungen unter Befolgung der Anweisungen im Abschnitt **EINSTELLEN DES ÖLGEKÜHLTEN BREMSENHALTS** im Benutzerhandbuch vornehmen.
5. Das Seil inspizieren. Ein ausgefranstes oder beschädigtes Seil muss sofort ersetzt werden.

### **C. JÄHRLICH**

1. Das Öl mindestens jährlich wechseln, öfter bei häufigem Einsatz. Die Winde bis zur Ölstandsschraube mit sauberem Kerosin auffüllen. Die Winde einige Minuten lang ohne Last in Aufwickelrichtung laufen lassen. Das Kerosin aus der Winde ablassen. Die Winde bis zur Ölstandsschraube mit Allzweckgetriebeöl E.P. 140 auffüllen.
2. Den Rahmen und das den Rahmen umgebende Gefüge auf Risse und Verformungen überprüfen. Der Zahnradverschleiß kann durch **Hin- und Herbewegen der Trommel geschätzt werden. Falls notwendig, das Öl ablassen, den Deckel abnehmen und genauer inspizieren.**
3. Den ölgekühlten Bremsenhalt einstellen. Siehe **EINSTELLEN DES ÖLGEKÜHLTEN BREMSENHALTS** auf Seite 55.

## **MONTAGE DER WINDE**

Es ist sehr wichtig, dass diese Winde sicher befestigt wird, damit die drei Hauptsegmente (Kupplungsgehäuse, Seiltrommel und Getriebegehäuse) richtig ausgerichtet sind.

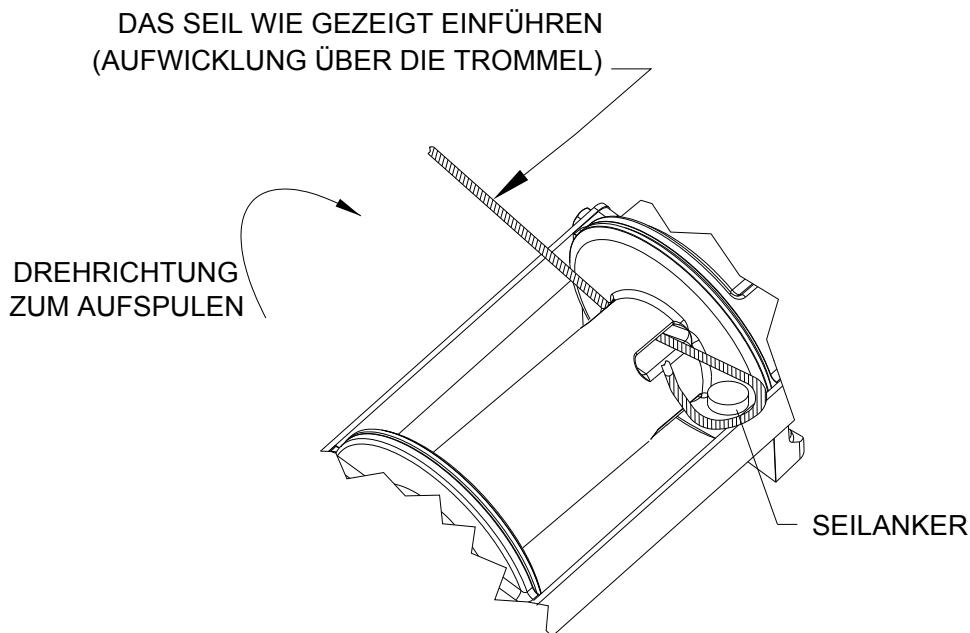
Die Windenserie H-89 Dow-Lok<sup>®</sup> ist mit hochfesten Stahlwinkeln (13 x 76 x 102 mm) ausgestattet.

## AUFLEGEN DES SEILS

Bei der Ramsey H-89 Dow-Lok<sup>®</sup> Winde sind zwei konische Taschen in die Seiltrommel gegossen. Eine Tasche wird für Installationen verwendet, bei denen das Drahtseil über die Trommel gewickelt wird. Die andere Tasche wird verwendet, wenn das Seil unter der Trommel durchgeführt wird.

1. Das Drahtseil durch das schmale Ende der Tasche bis gegen den Trommelflansch einführen.
2. Das Drahtseil um den Anker-Puck wickeln und dann das Drahtseil mit dem Anker in das weite Ende der Tasche zurückziehen.
3. Mit einem Gummihammer auf die Rückseite des Drahtseils klopfen, bis das Drahtseil und der Anker fest in der Tasche sitzen.

Das Drahtseil lässt sich leicht von der Trommel entfernen, indem der Anker aus dem weiten Ende der Tasche herausgetrieben wird. Das Seilende gespannt halten und die Winde langsam in Aufwickelrichtung laufen lassen, bis das Seil vollständig auf der Seiltrommel aufgewickelt ist. Darauf achten, dass sauber gewickelte Lagen entstehen.



**ANMERKUNG:** DREHRICHTUNG MIT BREMSKUGELN IN  
SCHLITZ 2 GEZEIGT (DREHRICHTUNG „A“)

## EINSTELLEN DES ÖLGEKÜHLTEN BREMSENHALTS

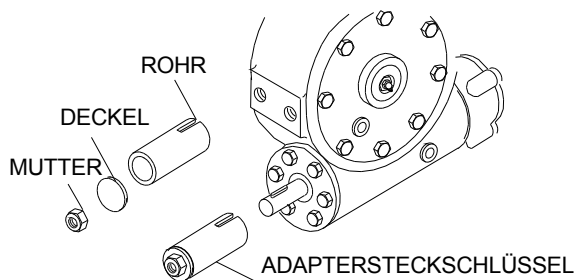
Der ölgekühlte, einstellbare, automatische Bremsenhalt arbeitet im Ölbad des Schneckenantriebsgehäuses. Alle Teile liegen im Öl. Die Bremse kann wie folgt eingestellt werden:

1. Die Sicherungsmutter an der Einstellschraube lösen.
2. Die Einstellschraube nach rechts drehen, um die Bremse festzuziehen. **ACHTUNG: Normalerweise ist nur eine Vierteldrehung zum Einstellen der Bremse notwendig.** Ein zu starkes Anziehen kann zur Überhitzung und Beschädigung der Bremsenteile führen. Nach der Einstellung die Sicherungsmutter wieder festziehen.

Wenn die Bremse nicht auf die Einstellung anspricht, müssen eine neue Blattfeder und Bremsscheibe eingebaut werden.

Zur Anpassung an die Antriebswelle (Schnecke) der Winde kann ein Drehmomentschlüssel mit einem Spezialadapter versehen werden. Der Adapter kann durch Anschweißen einer Mutter an das Ende eines Rohrstücks hergestellt werden (siehe Abbildung unten). Nachdem der Deckel und die Mutter an das Rohr geschweißt wurden, muss das Rohr wie gezeigt genietet werden. Dadurch kann der Spezialadapter auf die Keilnut geschoben und funktioniert dann wie ein großer Steckschlüssel.

Anschließend kann mit einem Drehmomentschlüssel das richtige Drehmoment erzeugt werden. Den Drehmomentschlüssel so drehen, dass sich die Trommel in Abwickelrichtung oder Absenkringung bewegt. Das nominale Drehmoment für die Bremse am Modell H-89 Dow-Lok® sollte 68 bis 75 Nm betragen. Wenn am

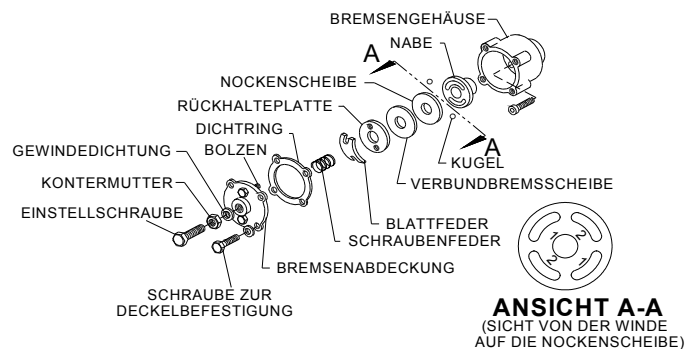


Drehmomentschlüssel nicht der richtige Wert angezeigt wird, sollte die Einstellschraube der Getriebebremse eine Vierteldrehung nach rechts gedreht werden. Den Drehmomentwert nach jedem Drehen der Einstellschraube prüfen. Diesen Vorgang wiederholen,

bis das richtige Drehmoment angezeigt wird. Dann die Sicherungsmutter wieder festziehen.

## WARTUNG DES ÖLGEKÜHLTEN BREMSENHALTS

1. Die Ablassschraube entfernen und das Öl aus dem Schneckengetriebe ablassen.
2. Die Sicherungsmutter und anschließend die Stellschraube durch zwei oder mehr Linksdrehungen lösen.
3. Die Befestigungsschrauben der Abdeckung entfernen.
4. Die Abdeckung sowie die Schraubenfeder und die Blattfeder abnehmen.
5. Rückhalteplatte, Verbundbremsscheibe, Nockenscheibe und Kugeln ausbauen. Darauf achten, in welchen Schlitzen die Kugeln sind: Nr. 1 oder Nr. 2. **Dies bestimmt die Einrastrichtung der Bremse.**
6. Die Teile wie folgt inspizieren:
  - a) Verbundbremsscheiben sind im Neuzustand 6,4 mm stark. Wenn sie dünner als 4,8 mm sind oder wenn die Oberflächen glänzend oder verbrannt erscheinen, müssen sie ersetzt werden.
  - b) Die flache, geschliffene Oberfläche der Nockenscheibe und der Rückhalteplatte auf Glanzstellen, Verformung oder andere Schäden untersuchen. Glanzstellen können durch vorsichtiges Abschaben beseitigt werden.
  - c) Die Blattfeder inspizieren. Sie sollte eine Biegung von 3 mm aufweisen.



**ZEICHNUNG 1  
GETRIEBEBREMSENHALT**

## **WIEDEREINBAU UND PRÜFUNG DES BREMSENHALTS**

1. Die Bremsnabe über der Schneckenantriebswelle und dem Keil einpressen.
2. Die Kugeln in die entsprechenden Schlitze des Nockens installieren. Siehe Typen- und Datenschild für die Schlitzposition der Bremskugeln. Zum Halten der Kugeln ein zähes Schmierfett auftragen und den Nocken über das Ende der Schneckenwelle schieben. Die Kugeln müssen gesichert zwischen den Nockenschlitzen und Nabenschlitzen sitzen. Die Bremsscheibe einbauen.
3. Die Rückhalteplatte mit der glatten Seite zur Bremsscheibe einsetzen.
4. Auf dem Deckel einen Dichtring mit einer kleinen Menge Schmierfett oder Dichtmittel anbringen.
5. Die Schraubenfeder wird auf die Einstellschraube an der Innenseite des Deckels geschoben.
6. Die Kerben der Blattfeder auf die durch den Deckel ragenden Bolzen stecken. Die hohle Seite der Blattfeder muss zur Bremse gerichtet sein.
7. Den Deckel des Bremsengehäuses einbauen und darauf achten, dass die herausragenden Bolzen durch die Blattfeder hindurch und in die Löcher der Rückhalteplatte gesteckt sind.
8. Den Deckel mit den Befestigungsschrauben befestigen. Die Ablassschraube wieder einsetzen und 1,8 l E.P. 140 Allzwecköl einfüllen.
9. Die Winde um mindestens eine Drehung der Antriebswelle in Hubrichtung drehen.
10. Die Einstellschraube handfest anziehen.

## **PRÜFEN DES RICHTIGEN EINBAUS DES BREMSENHALTS**

Nachdem die Bremse auf das richtige Drehmoment eingestellt wurde, die Kupplung ausrücken. Den Fahrzeugmotor anlassen und die Winde in Aufwickelrichtung (Ziehrichtung) laufen lassen. Die Winde eine Minute lang in dieser Richtung betreiben.

Die Hand auf das Gehäuse der Sicherheitsbremse legen. Wenn das Gehäuse nicht heiß ist, die Winde eine Minute lang in die entgegengesetzte Richtung (Abrollen des Seils) laufen lassen. Das Bremsengehäuse sollte sich erhitzen.

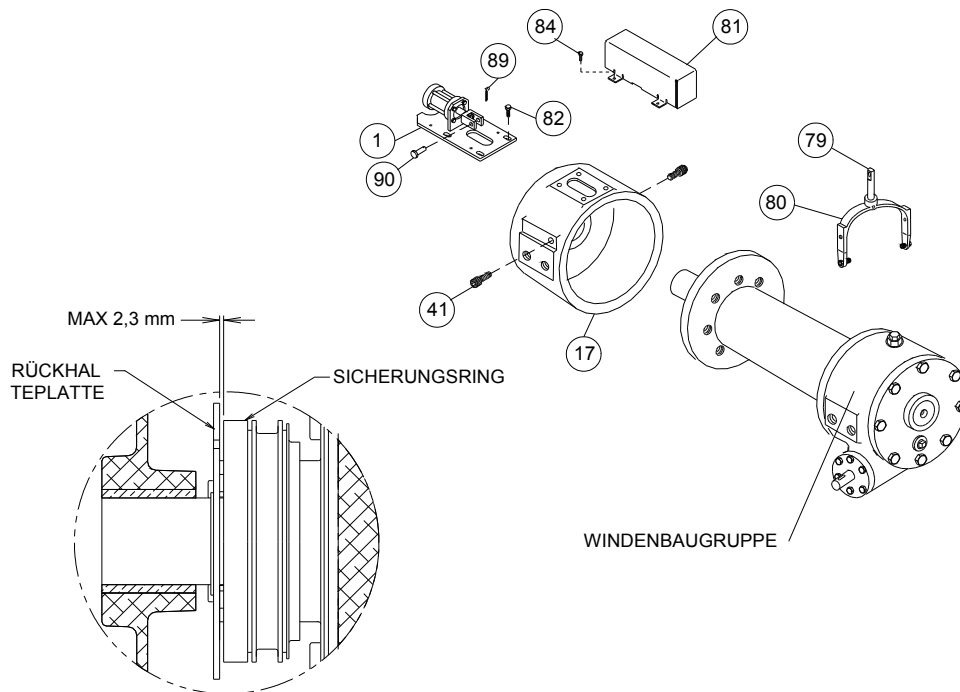
Wenn diese Bedingungen wie beschrieben vorliegen, wurde die Bremse richtig installiert. Sollte sich das Gehäuse beim Aufwickeln (Ziehrichtung) der Winde erhitzen, muss die Bremse wieder auseinander gebaut werden. Nach der Demontage die Bremskugeln in den anderen Satz Schlitze in den Nockenscheiben stecken, die Bremse unter sorgfältiger Beachtung der Anweisungen wieder zusammenbauen und erneut prüfen.

## EINSTELLUNG DES PNEUMATISCHEN KUPPLUNGSHEBELS

1. Die Windenbaugruppe wieder im Anbaurahmen anbringen und mit acht (8) Befestigungsschrauben und Sicherungsscheiben befestigen. Die Befestigungsschrauben auf 393 Nm festziehen. Sicherstellen, dass Getriebekasten und Kupplungsgehäuse nicht an den Trommelflanschen reiben.
2. Den pneumatische Kupplungshebel (Nr. 1) auf die Kupplungshebelwelle schieben und den Gabelkopf auf den Planflächen der Welle ausrichten. Den Gabelkopf unter Verwendung des Lastösenbolzens (Nr. 90) und des Splints (Nr. 89) an der Welle befestigen. Den Kupplungshebel in die EINGERÜCKTE Position stellen. Bei vollständig zurückgezogener Luftzylinderwelle den Kupplungshebel ganz bis zur Trommel schieben, bis die Kupplungshebelwelle vollständig spielfrei ist. Den Kupplungshebel mit vier (4) Kopfschrauben (Nr. 82) (geflosschter, gezahnter Sechskantkopf) am

Kupplungsgehäuse befestigen. Festziehen, aber noch nicht mit dem Drehmomentschlüssel.

3. Die Druckluft (4,8-6,2 bar) am Einlass des Druckluftzylinders anschließen und die Kupplung ausrücken. Durch die Öffnung im Kupplungsgehäuse prüfen, dass sich der Sicherungsring und die Rückhalteplatte nicht berühren. Zwischen Sicherungsring und Rückhalteplatte darf kein Kontakt bestehen. Bei vollständig ausgerückter Winde muss zwischen Sicherungsring und Rückhalteplatte ein Spalt von max. 2,3 mm vorhanden sein. Wenn Kontakt besteht, die vier (4) Kopfschrauben (Nr. 82) lösen und die Platte ca. 1,5 mm von der Trommel wegziehen. Die Schrauben wieder festziehen und erneut prüfen, ob ein ausreichender Spalt vorhanden ist. Diese Einstellung wiederholen, bis der richtige Spalt erzielt wird. Die Kupplung 2- oder 3-mal schalten, um korrektes Funktionieren der Kupplung zu prüfen. Nach der endgültigen Einstellung die vier (4) Kopfschrauben (Nr. 82) auf 24 Nm festziehen. Die Abdeckung (Nr. 81) mit vier (4) Kopfschrauben (Nr. 84) befestigen.





# FEHLERSUCHE

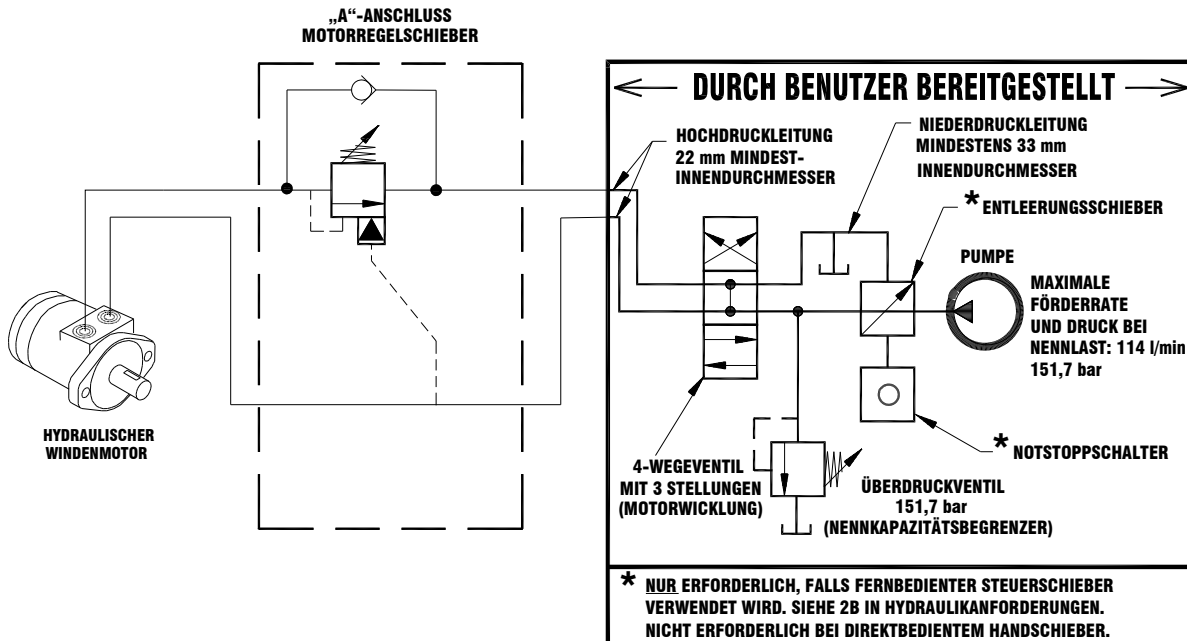
ZUSTAND	MÖGLICHE URSACHE	ABHILFE
KUPPLUNG FUNKTIONIERT NICHT ODER HÄNGT FEST.	<ol style="list-style-type: none"> <li>1. Trockene oder verrostete Welle.</li> <li>2. Gabelkopf oder Gestänge verbogen.</li> <li>3. Schmutz in der Kupplung.</li> <li>4. Kupplung rückt nicht aus.</li> </ol>	<ol style="list-style-type: none"> <li>1. Reinigen und schmieren.</li> <li>2. Gabelkopf oder Wellenbaugruppe ersetzen.</li> <li>3. Reinigen und schmieren.</li> <li>4. Pneumatischen Kupplungshebel einstellen. (Siehe Abschnitt unter <i>Wartung</i>.)</li> </ol>
DIE LAST VERSCHIEBT SICH.	<ol style="list-style-type: none"> <li>1. Bremsenhalt ist verschlissen.</li> <li>2. Bremsenhalt ist falsch eingestellt.</li> <li>3. Fehlerhafte Hydraulik.</li> <li>4. Last ist höher als Nennkapazität.</li> </ol>	<ol style="list-style-type: none"> <li>1. Brems Scheibe ersetzen. (Siehe <i>Wartung des ölgekühlten Bremsenhalts</i>.)</li> <li>2. Einstellschraube eine Vierteldrehung nach rechts drehen, bis sich die Last nicht mehr verschiebt.</li> <li>3. Hydraulik prüfen. (Siehe <i>Hydraulikanforderungen</i>.)</li> <li>4. Last reduzieren.</li> </ol>
ÖL LECKT AUS DER WINDE.	<ol style="list-style-type: none"> <li>1. Dichtungen beschädigt oder verschlissen.</li> <li>2. Zu viel Öl.</li> <li>3. Beschädigter Dichtring.</li> </ol>	<ol style="list-style-type: none"> <li>1. Dichtung ersetzen.</li> <li>2. Überschüssiges Öl ablassen. (Siehe <i>Wartung der Winde</i>.)</li> <li>3. Dichtring ersetzen.</li> </ol>
DIE WINDE LÄUFT ZU LANGSAM.	<ol style="list-style-type: none"> <li>1. Niedrige Förderrate.</li> <li>2. Hydraulikmotor ist abgenutzt.</li> </ol>	<ol style="list-style-type: none"> <li>1. Förderrate überprüfen. (Siehe <i>Hydraulikanforderungen</i>.)</li> <li>2. Motor ersetzen.</li> </ol>
KEIN FREILAUF AN DER SEILTROMMEL.	<ol style="list-style-type: none"> <li>1. Kupplung nicht ausgerückt.</li> <li>2. Winde nicht gerade montiert, wodurch die Trommel durch das Endlager blockiert wird.</li> </ol>	<ol style="list-style-type: none"> <li>1. Druckluft zum Kupplungszyylinder prüfen, Mindestdruck 4,8 bar. (Siehe <i>Einstellung des pneumatischen Kupplungshebels</i>.)</li> <li>2. Montage prüfen. (Siehe <i>Montage der Winde</i>.)</li> </ol>
SEIL VERWICKELT SICH BEI AUSGERÜCKTER KUPPLUNG.	<ol style="list-style-type: none"> <li>1. Trommelbremsscheibe verschlissen.</li> </ol>	<ol style="list-style-type: none"> <li>1. Scheiben ersetzen.</li> </ol>
HYDRAULIKÖL LECKT AUS DEM LOCH IM MOTORADAPTER.	<ol style="list-style-type: none"> <li>1. Wellendichtung des Hydraulikmotors beschädigt.</li> </ol>	<ol style="list-style-type: none"> <li>2. Dichtung ersetzen.</li> </ol>

# HYDRAULIKANFORDERUNGEN

1. Wegeventil (Motor-Durchflusssystem).
2. Notstopp:
  - A. Falls die Winde durch einen direktbedienten Handschieber gesteuert wird, funktioniert dieser Schieber als Notstopp.
  - B. Wenn ein fernbedienter Steuerschieber verwendet wird, sind ein magnetgesteuerter hydraulischer Entleerungsschieber (normalerweise gegen den Tank geöffnet) und ein Notstoppschalter (zum Öffnen des Entleerungsschiebers) erforderlich. Der Notstoppschalter ist ein Öffnerkontakt und hat einen roten, rücksetzbaren Druckknopfschalter mit gelbem Hintergrund. Der Notstoppschalter muss für den Bediener einfach zugänglich sein.
3. „A“-Anschluss-Motorregelschieber mit einer maximalen Nennförderrate von 114 l/min.
4. Hydraulikmotor mit einem Volumen von 244 cm<sup>3</sup>/R.
5. Überdruckventil auf 151,7 bar eingestellt, entspricht dem Nennkapazitätsbegrenzer.
6. Maximale Förderrate von 114 l/min.
7. Hydrauliköl mit einer Viskosität zwischen 20 und 43 cSt (100-200 SUS). Maximale Betriebstemperatur 85 °C. Sauberkeitsstufe ISO 17-14 oder besser.

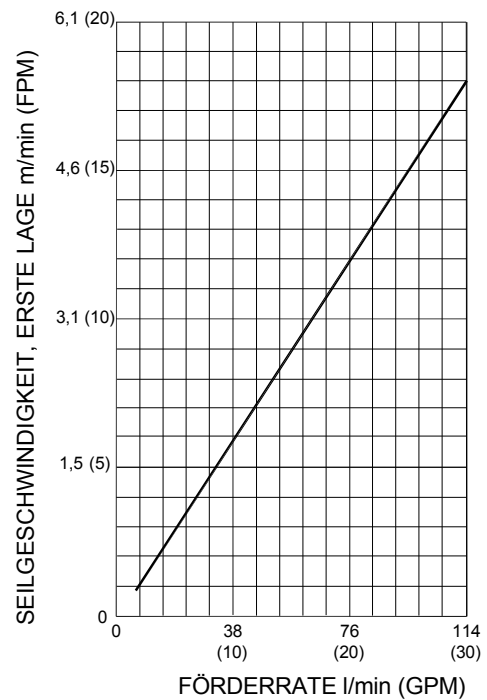
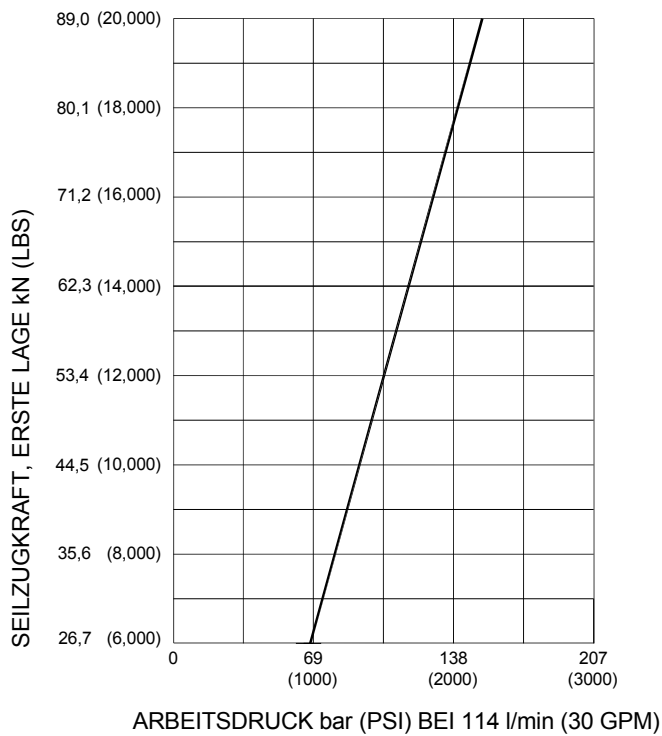
**Anmerkung:** Manche Modelle werden ohne Hydraulikmotor und „A“-Anschluss-Motorregelschieber verkauft. Es liegt in der Verantwortung des Benutzers, die Hydraulikanforderungen zu erfüllen.

# TYPISCHE HYDRAULIKANORDNUNG



Zur richtigen Wahl der Hydraulik für die Leistung der Winde ist auf die folgenden Leistungsdiagramme Bezug zu nehmen. Die Diagramme zeigen: (1) Seilzugkraft (kN), erste Lage im Vergleich zum Arbeitsdruck (bar). (2) Seilgeschwindigkeit, erste Lage im Vergleich zur Förderrate (l/min).

## LEISTUNGSDIAGRAMME



## ANWEISUNGEN ZUM ÜBERHOLEN DES RAMSEY-MODELLS H-89 DOW-LOK<sup>®</sup> DEMONTAGE

Die Positionsnummern und die dazugehörigen Teilenummern sind der Teileliste und den Teilezeichnungen zu entnehmen.

### ABBILDUNG 1

Das Öl aus dem Getriebekasten ablassen. Dazu den Rohrstopfen (Nr. 88) aus dem Getriebekasten entfernen. Die Kupplung einrücken (IN). Falls ein pneumatischer Kupplungshebel zur Ausstattung gehört, die Abdeckung des pneumatischen Kupplungshebels (Nr. 43), den Splint (Nr. 75) und den Lastösenbolzen (Nr. 76) entfernen. Pneumatische Kupplungshebel-Unterbaugruppe (Nr. 5) entfernen. Die Anbauwinkel (Nr. 7 und Nr. 8) von der Winde abnehmen.

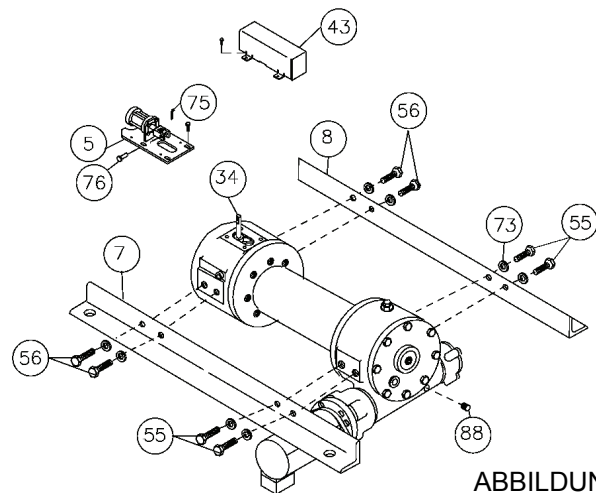


ABBILDUNG 1

### ABBILDUNG 2

Zwei Kopfschrauben (Nr. 53) vom Kupplungsgehäuse (Nr. 21) entfernen und den Kupplungshebel (Nr. 34) entriegeln. Das Kupplungsgehäuse vom Ende der Trommelwelle herunterziehen. Die Rückhalteplatte (Nr. 93) nach innen drücken, um die Federspannung zu lösen und den Sicherungsring (Nr. 96) zu entfernen. Die vier Kopfschrauben (Nr. 44), Rückhalteplatte (Nr. 93), Federn (Nr. 99) und Abstandhalter (Nr. 35) entfernen.

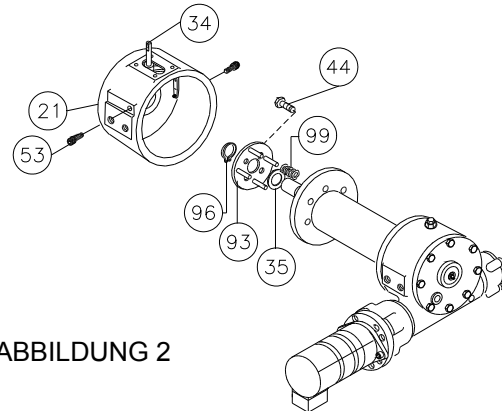


ABBILDUNG 2

### ABBILDUNG 3

Den Sicherungsring (Nr. 14) von der Kupplung abziehen. ANMERKUNG: Der Sicherungsring kann nur bei eingerückter Kupplung und in den Keilnuten der Welle eingreifenden Zapfen (Nr. 90) entfernt werden. Die Seiltrommel so drehen, dass die acht Kugeln (Nr. 39) und die vier Zapfen (Nr. 90) abgenommen werden können. Falls notwendig, kann die Kupplung (Nr. 13) durch Entfernen der acht Kopfschrauben (Nr. 50) von der Trommel abgebaut werden. Die Trommel (Nr. 18) von der Trommelwelle abziehen.

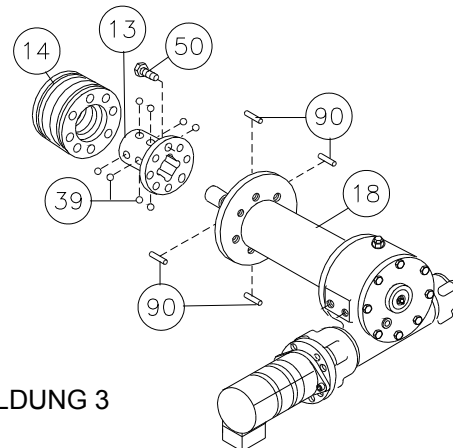


ABBILDUNG 3

#### ABBILDUNG 4

Den Motor (Nr. 85) von der Adapterplatte (Nr. 29) abnehmen. Dazu die Kopfschrauben (Nr. 59) entfernen. Die Adapterplatte und Kupplung (Nr. 3) vom Adapter (Nr. 6) abnehmen. Dazu die acht Kopfschrauben (Nr. 56) entfernen.

Den Keil (Nr. 26) von der Schneckenantriebswelle abziehen. Sechs Kopfschrauben (Nr. 58) entfernen und den Adapter vom Getriebekasten abnehmen. Die Adapterdichtung (Nr. 94) und den Dichtring (Nr. 78) einbauen.

Die Trommelbremsenscheibe (Nr. 17), den Abstandhalter (Nr. 103) und die Federn (Nr. 98) überprüfen und bei Bedarf ersetzen.

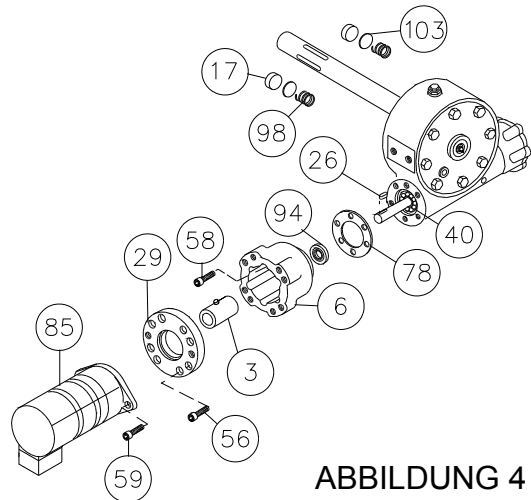


ABBILDUNG 4

#### ABBILDUNG 5

Durch Entfernen von sechs Kopfschrauben (Nr. 57) das Bremsengehäuse (Nr. 20) vom Getriebekasten abnehmen. Siehe Seite 55, WARTUNG DES ÖLGEKÜHLTEN BREMSENHALTS.

Den Keil (Nr. 25) von der Schneckenantriebswelle abziehen. Die Schnecke (Nr. 36) und das Lager (Nr. 40) aus dem Getriebekasten ausbauen. Mit einem Gummihammer sanft auf das Antriebsende der Schnecke klopfen und die Schnecke mit dem Lager aus dem Getriebekasten treiben. Nachdem die Schnecke aus dem Getriebekasten entfernt wurde, kann das Lager aus dem Ende der Schnecke herausgestemmt werden. Schnecke (Nr. 36) und Lager (Nr. 40) auf Anzeichen von Verschleiß oder Beschädigungen überprüfen. Bei Bedarf ersetzen.

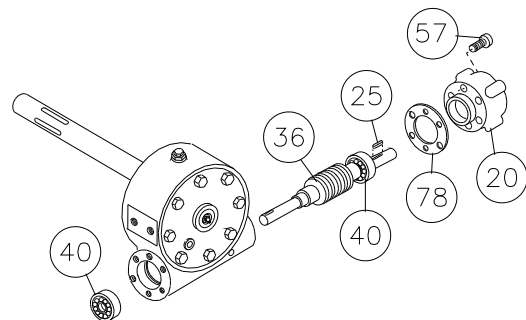


ABBILDUNG 5

#### ABBILDUNG 6

Den Deckel (Nr. 16) vom Getriebekasten (Nr. 22) abnehmen. Dazu die acht Kopfschrauben (Nr. 47) entfernen. Zwei Kopfschrauben in die Gewindebohrungen des Deckels einsetzen und festziehen. Dadurch wird der Deckel vom Getriebekasten abgestemmt. Den Dichtring (Nr. 80) vom Deckel abnehmen und die Welle (Nr. 32) mit befestigtem Zahnrad (Nr. 19) und Abstandhalter (Nr. 101) aus dem Getriebekasten ausbauen.

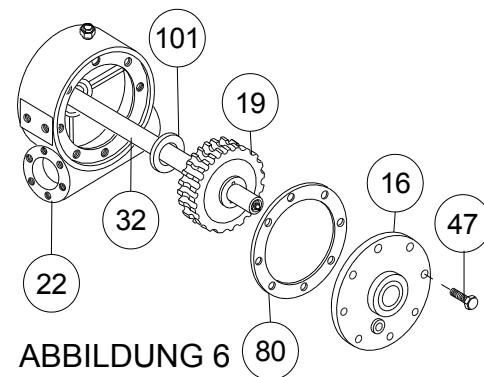


ABBILDUNG 6

#### ABBILDUNG 7

Das Zahnrad bei Bedarf ersetzen. Schmiernippel (Nr. 84) und Reduzierstück (Nr. 87) auf Schäden überprüfen und bei Bedarf ersetzen.

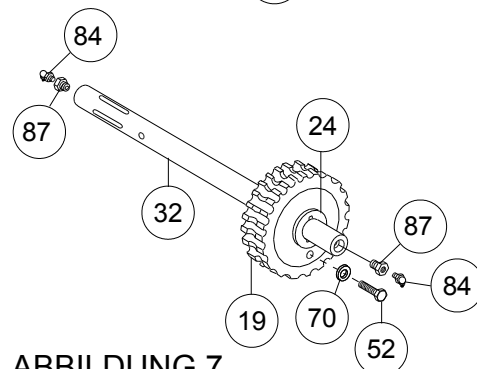


ABBILDUNG 7

### ABBILDUNG 8

Falls die Welle und/oder das Zahnrad beschädigt ist, wie folgt vorgehen:

- a. Die Keile (Nr. 27) in die kurzen Keilnuten der Trommelwelle (Nr. 32) klopfen.
- b. Die Welle (Nr. 32) und die Keile durch die Zahnradnabe (Nr. 19) pressen, bis die Keilenden am langen Ende der Welle oberflächenbündig mit dem Zahnrad abschließen.

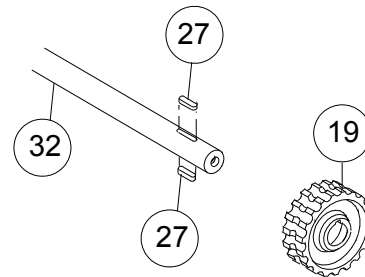


ABBILDUNG 8

### ABBILDUNG 9

Die Getriebekastenbuchse (Nr. 10) und den O-Ring (Nr. 86) auf Anzeichen von Verschleiß überprüfen. Bei Bedarf die alte Buchse aus dem Getriebekasten (Nr. 22) stemmen und eine neue Buchse einpressen. Die neue Buchse einpressen und einen neuen O-Ring (Nr. 86) in die Rille in der Buchse einsetzen.

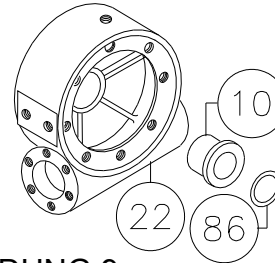


ABBILDUNG 9

### ABBILDUNG 10

Die Seiltrommelbuchsen (Nr. 41 und Nr. 42) auf Anzeichen von Verschleiß überprüfen. Bei Bedarf die alten Buchsen aus der Trommel (Nr. 18) stemmen und ersetzen. Die Buchse (Nr. 41) in die Bohrung der Trommel pressen, bis der Flansch am Boden der Aussenkung anliegt. Die Buchse (Nr. 42) in die gegenüberliegende Bohrung an der Trommel einpressen, bis das Buchsenende 12 mm über den Trommelrand hinausragt.

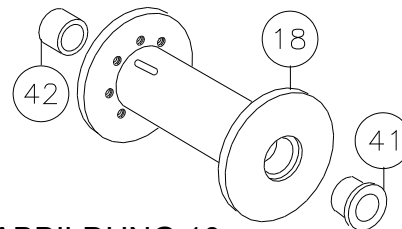


ABBILDUNG 10

### ABBILDUNG 11

Die Endlagerbuchse (Nr. 42) auf Anzeichen von Verschleiß überprüfen. Bei Bedarf die alte Buchse herausstemmen und eine neue Buchse einpressen.

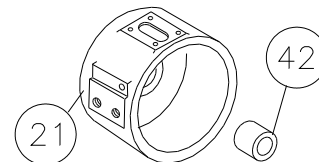


ABBILDUNG 11

### ABBILDUNG 12

Die Abdeckungsbuchse (Nr. 10) und den O-Ring (Nr. 86) auf Anzeichen von Verschleiß überprüfen. Bei Bedarf die alte Buchse aus der Getriebekastenabdeckung (Nr. 16) stemmen und eine neue Buchse einpressen. Die neue Buchse einpressen und einen neuen O-Ring (Nr. 86) in die Rille in der Buchse einsetzen.

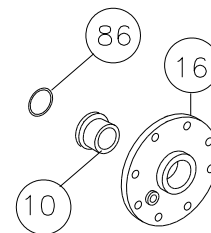


ABBILDUNG 12

### ABBILDUNG 13

Den Abstandhalter (Nr. 101) auf das lange Ende der Welle und bis an die Zahnradnabe schieben. Auf das dem Zahnrad gegenüber liegende Wellenende Schmierfett auftragen. Auf die Buchse im Getriebekasten (Nr. 22) Schmierfett auftragen. Das geschmierte Wellenende durch die Buchse im Getriebekasten (Nr. 22) schieben. Den Dichtring (Nr. 80) auf dem Getriebekasten (Nr. 16) anbringen. Auf das zahnradseitige Ende der Welle und auf die Abdeckungsbuchse Schmierfett auftragen. Den Deckel auf die Welle schieben und mit acht Kopschrauben (Nr. 47) auf dem Getriebekasten befestigen. Die Kopschrauben auf 53 Nm festziehen.

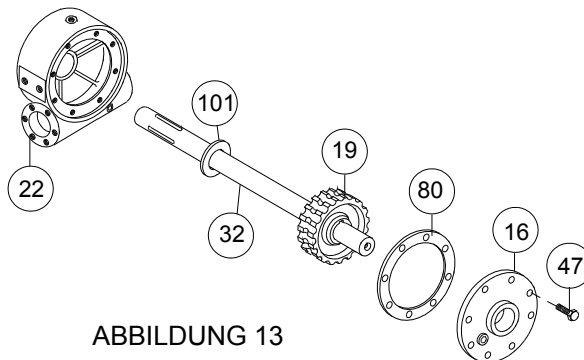


ABBILDUNG 13

### ABBILDUNG 14

Das Lager (Nr. 40) auf die Schnecke (Nr. 36) pressen. ANMERKUNG: Darauf achten, dass die dicke Schulter des Außenlaufings des Lagers (die Seite mit dem aufgedruckten Herstellernamen und der Teilenummer) nach außen, vom Schneckengewinde weg gerichtet ist. Das Lager und die Schnecke in den Getriebekasten pressen. Den Dichtring (Nr. 78) auf das Bremsengehäuse (Nr. 20) schieben. Mit sechs Kopschrauben (Nr. 57) das Bremsengehäuse am Getriebekasten befestigen. Die Kopschrauben auf 61 Nm festziehen. Den Keil (Nr. 25) in die Keilnut der Schnecke (Nr. 36) einsetzen. Der Zusammenbau und die Prüfung der Getriebeklemme ist auf Seite 8 beschrieben.

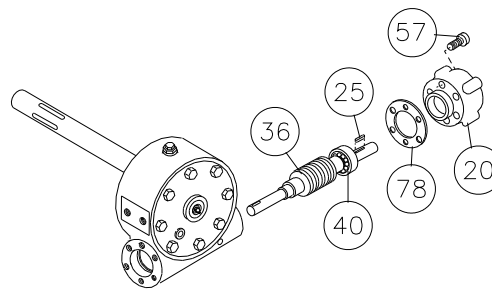


ABBILDUNG 14

### ABBILDUNG 15

Das Lager (Nr. 40) auf die Schnecke und in den Getriebekasten pressen. ANMERKUNG: Darauf achten, dass die dicke Schulter des Außenlaufings des Lagers (die Seite mit dem aufgedruckten Herstellernamen und der Teilenummer) nach außen, vom Schneckengewinde weg gerichtet ist. Unter Verwendung von sechs Kopschrauben (Nr. 58) den Adapter (Nr. 6) am Getriebekasten befestigen. Die Kopschrauben auf 61 Nm festziehen. Den Keil (Nr. 26) in die Keilnut der Schneckengetriebewelle stecken. Die Kupplung (Nr. 3) auf das Ende der Schneckengetriebewelle schieben. Unter Verwendung von acht Kopschrauben (Nr. 56) die Adapterplatte (Nr. 29) am Adapter befestigen. Die Kopschrauben auf 28 Nm festziehen. Die Motorwelle mit in die Keilnut eingestecktem Keil in die Kupplung schieben. Den Motor (Nr. 85) mit zwei Kopschrauben (Nr. 59) am Adapter befestigen. Die Kopschrauben auf 138 Nm festziehen.

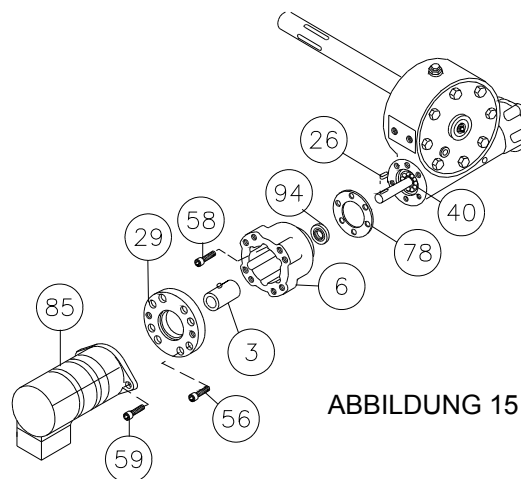


ABBILDUNG 15

### ABBILDUNG 16

Die Winde mit dem Getriebekastendeckel nach unten auf eine Werkbank legen. Die Trommelwelle muss vertikal stehen. Die Federn (Nr. 98) in die Taschen des Getriebekastens stecken, sodass die Trommelbremse (Nr. 17) auf den Scheiben (Nr. 103) und Federn gelagert ist. Auf die Welle und Trommelbuchsen Schmierfett auftragen. Die Trommel (Nr. 18) wie gezeigt auf die Trommelwelle schieben.

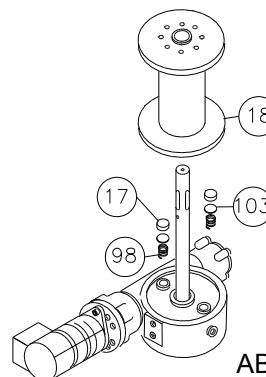


ABBILDUNG 16

### ABBILDUNG 17

Die Kupplung (Nr. 13) auf die Trommelwelle schieben. Die Kupplung auf der Adapterbuchse in der Trommel ausrichten. Die acht Kopfschrauben (Nr. 50) einsetzen und auf 138 Nm festziehen, sodass die Kupplung ordnungsgemäß in der Trommel sitzt. Die Trommel drehen, um die Kupplungsschlitze auf die Keilnuten der Welle auszurichten. Die vier Zapfen (Nr. 90) und die acht Kugeln (Nr. 39) leicht schmieren. Dazu Molybdändisulfid- oder Graphit-Lagerfett verwenden. Die vier Zapfen (Nr. 90) und die acht Kugeln (Nr. 39) einsetzen. In der eingerückten Position schließen die Kugeln nahezu oberflächenbündig mit der Kupplung ab. Die innere und äußere Rille und die Bohrung im Sicherungsring (Nr. 14) und in der Kupplung (Nr. 13) leicht schmieren. Den Sicherungsring auf die Kupplung schieben. Bei vollständig eingerückter Kupplung berührt der Sicherungsring den Kupplungsflansch und zwischen dem Ende des Sicherungsrings und dem Ende der Kupplung ist ein Spalt von 18-18,5 mm vorhanden.

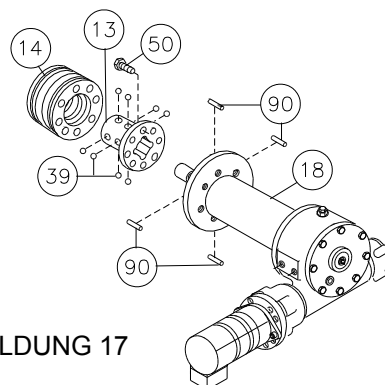


ABBILDUNG 17

### ABBILDUNG 18

Vier Federn (Nr. 99) auf die vier Spannstifte der Rückhalteplatte (Nr. 93) stecken. Den Abstandhalter (Nr. 35) und die Rückhalteplatte einbauen und mit vier Kopfschrauben (Nr. 44) an der Kupplung befestigen. Die Kopfschrauben auf 13 Nm festziehen. Den Sicherungsring (Nr. 96) fest in die Rille in der Trommelwelle drücken. Den Kupplungshebel so stellen, dass die Schraubenköpfe in die externe Rille im Sicherungsring (Nr. 14) eingreifen. Das Kupplungsgehäuse (Nr. 21) auf die Trommelwelle schieben und den Kupplungshebel in der eingerückten (IN) Position verriegeln. Die zwei Kopfschrauben (Nr. 53) anbringen.

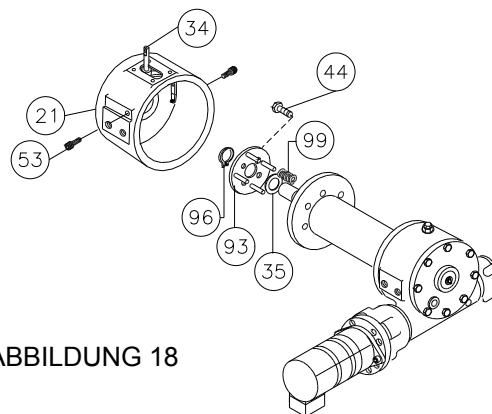


ABBILDUNG 18

### ABBILDUNG 19

Die Anbauwinkelrahmen (Nr. 7 und Nr. 8) an der Winde montieren. Mit Kopfschrauben (Nr. 55 und 56) und Sicherungsscheiben (Nr. 73) befestigen. Die Kopfschrauben auf 393 Nm festziehen. Die Verschlusschraube (Nr. 88) in den Boden des Getriebekastens einsetzen. Die Verschlussstopfen (Nr. 81 und 87) von der Oberseite des Getriebekastens entfernen. 1,77 l E.P. 140 Öl durch das Loch einfüllen und die Stopfen wieder einsetzen. Den pneumatische Kupplungshebel befestigen, aber nicht vor der Einstellung festziehen (siehe Seite 9). Den Gabelkopf (Nr. 33) mithilfe des Lastösenbolzens (Nr. 76) und des Splints (Nr. 75) an der Kupplungshebelwelle (Nr. 34) befestigen. Die Abdeckung (Nr. 43) anbringen.

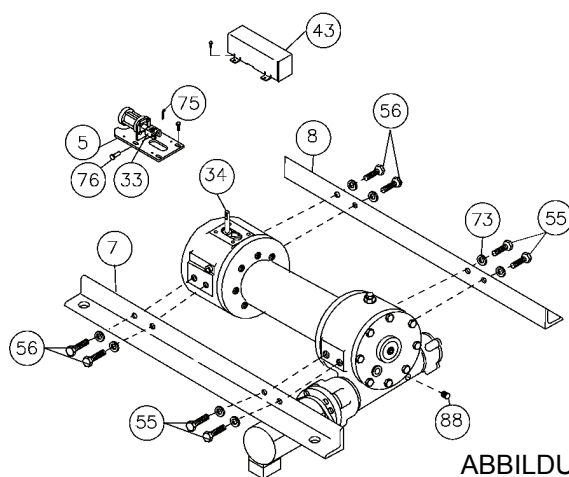
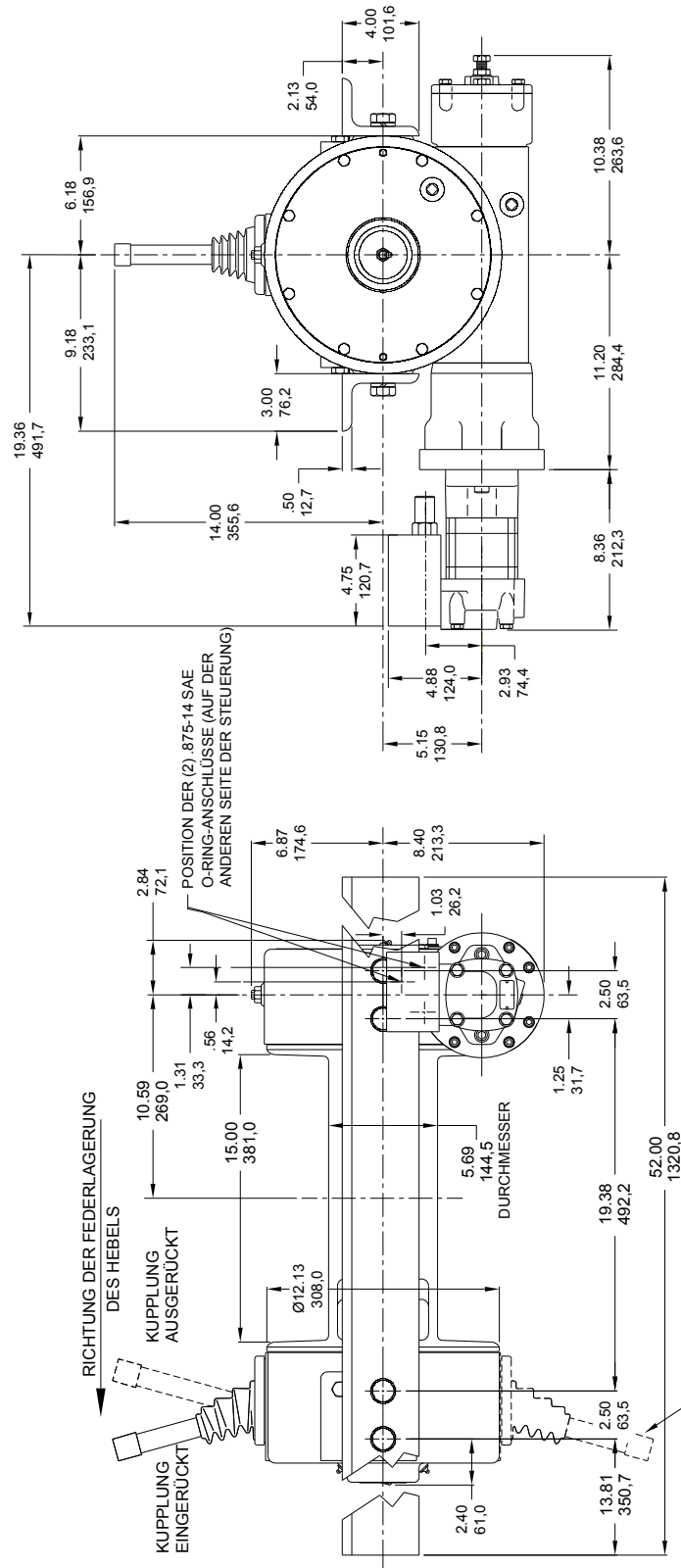


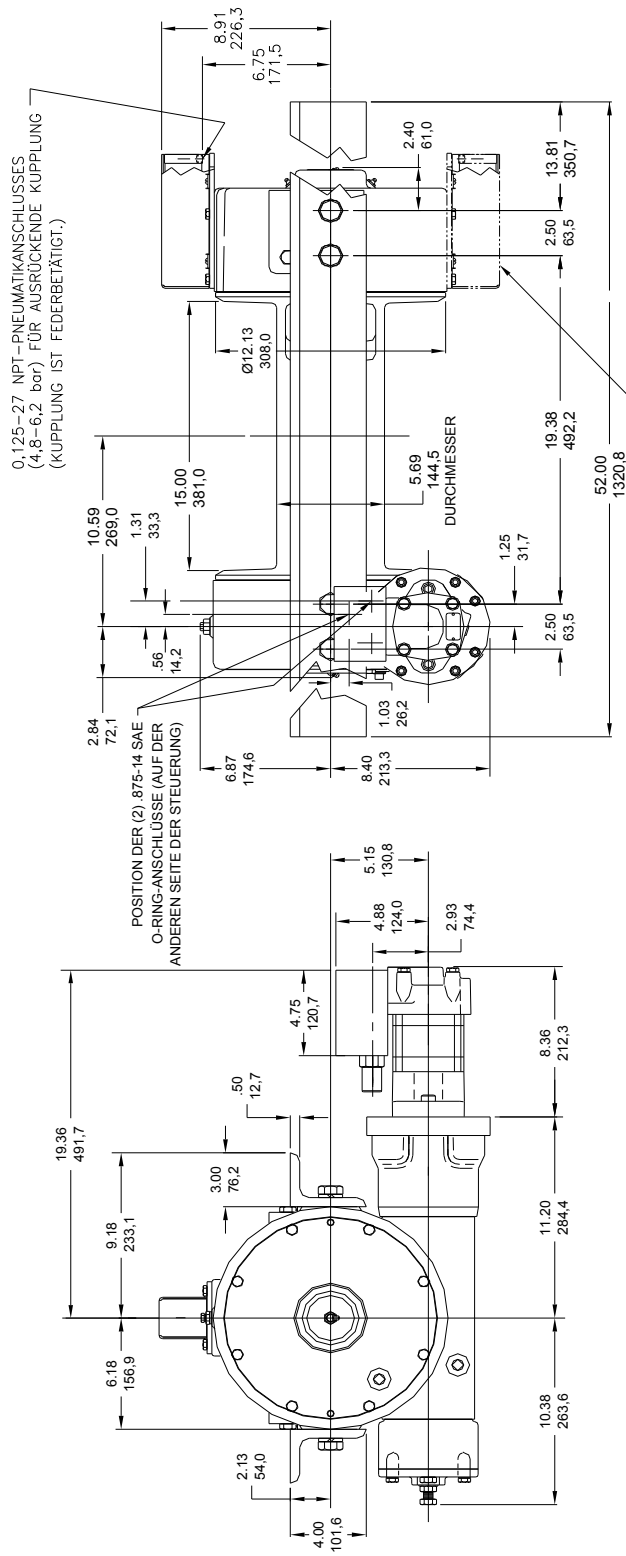
ABBILDUNG 19





ALLE MASSANGABEN IN ZOLL (OBEN) UND MILLIMETER (UNTEN)

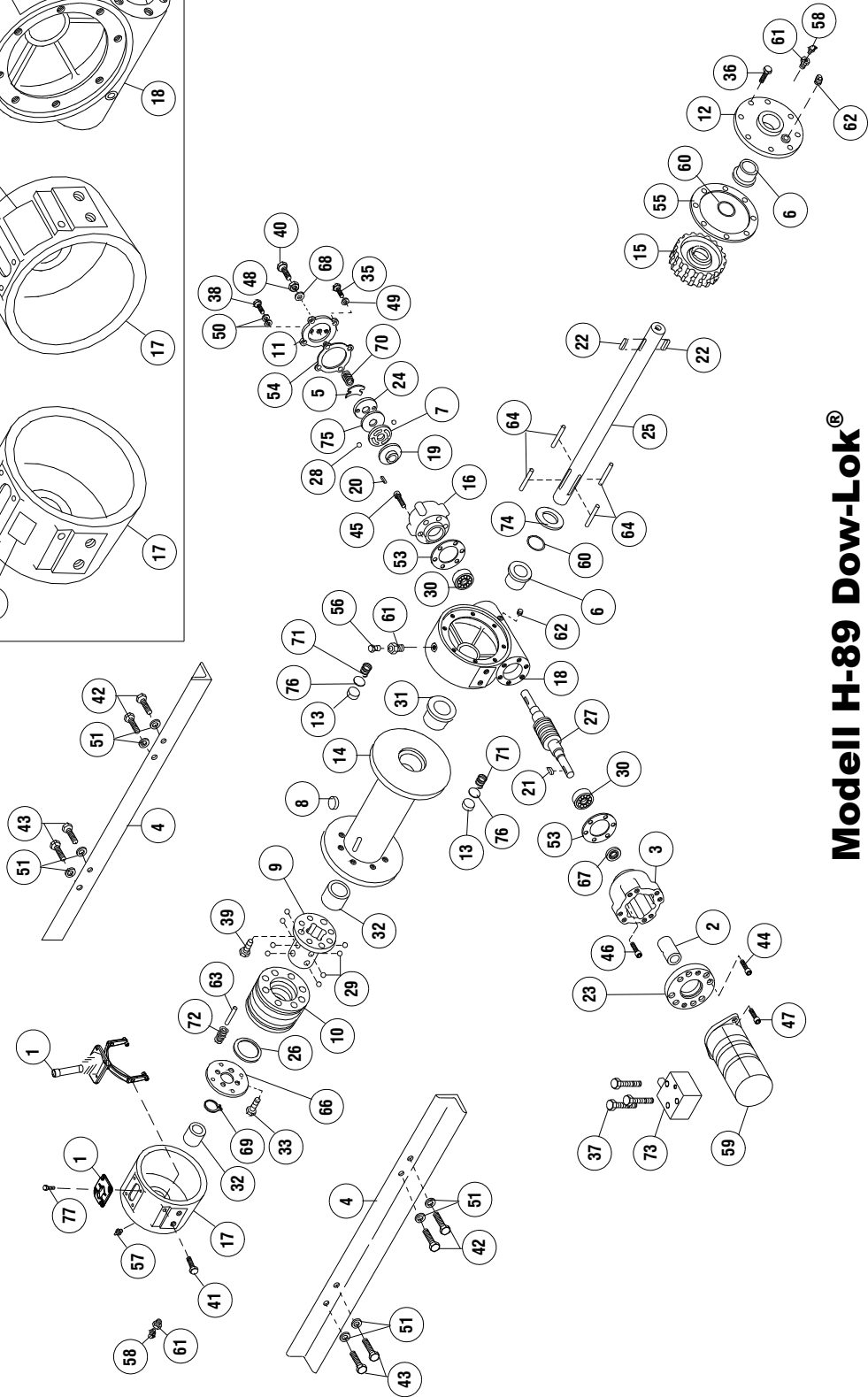
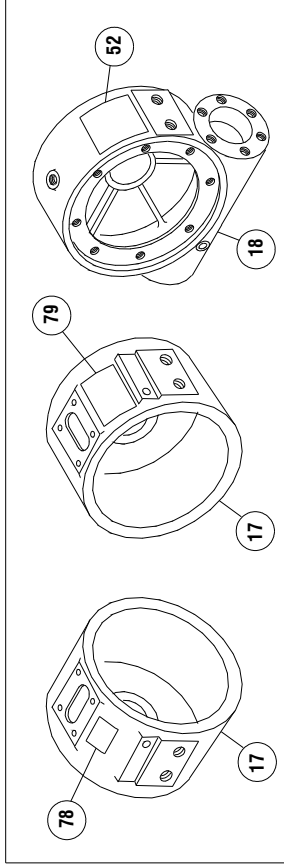
## Modell H-89 Dow-Lok®



KUPPLUNGSGEHÄUSE KANN FÜR  
KUNDENSPEZIFISCHE MONTAGE  
UM 180° GEDREHT WERDEN

## Modell H-89 Dow-Lok® Pneumatischer Kupplungshebel

# Beschriftungsposition

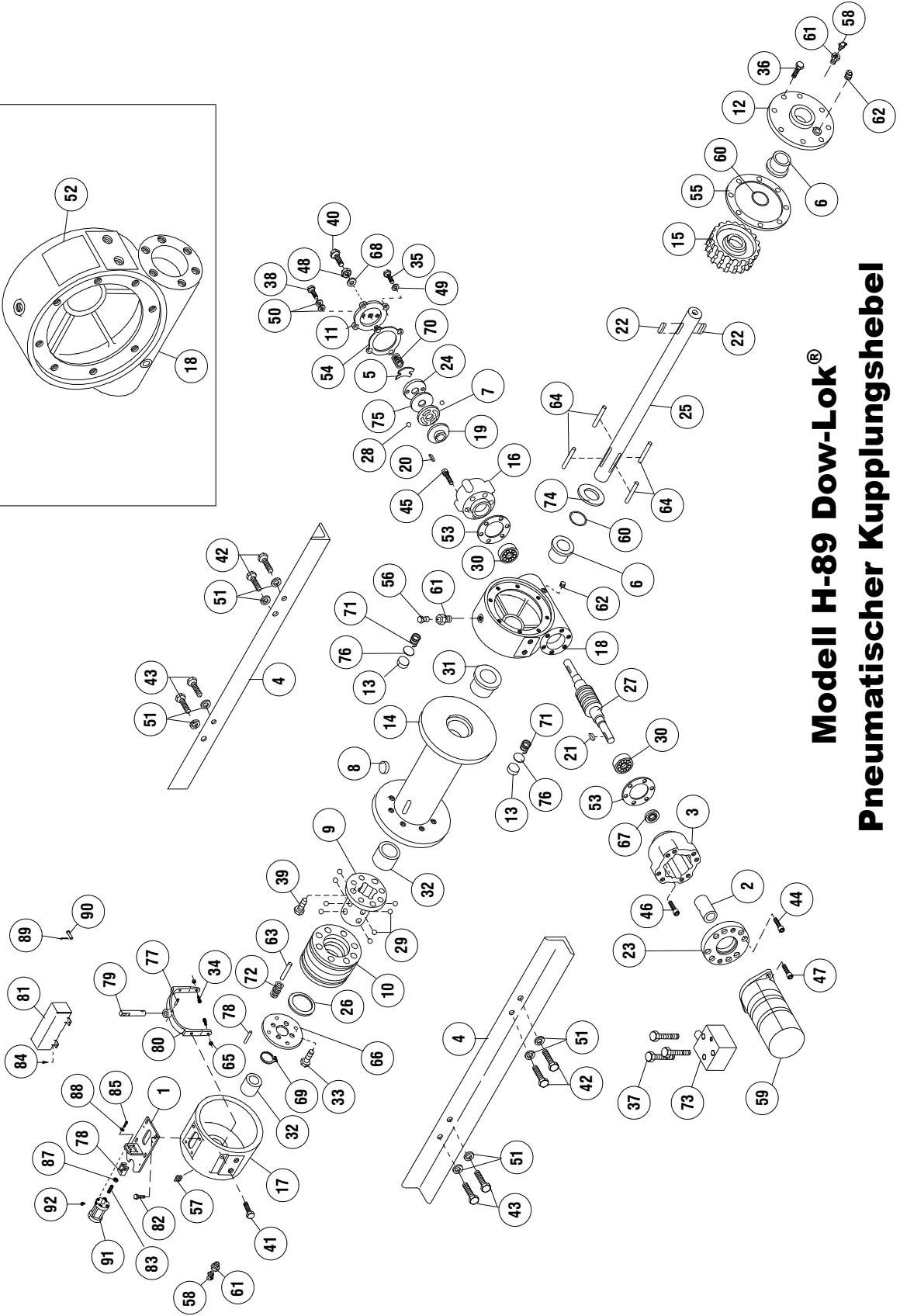
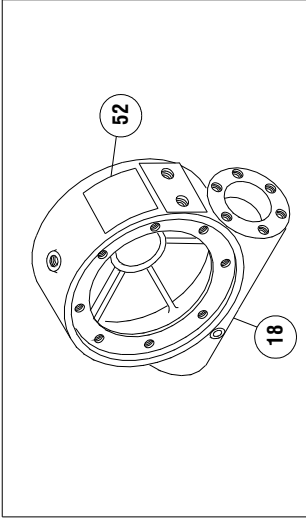


**Modell H-89 Dow-Lok®**

# TEILELISTE MODELL H-89 DOW-LOK® - HANDBETÄTIGTE KUPPLUNG

Lfd. Nr.	Anz.	Teile-Nr.	Beschreibung	Lfd. Nr.	Anz.	Teile-Nr.	Beschreibung
1	1	276033	HANDBETÄTIGTER KUPPLUNGSHEBEL, KOMPLETT	41	2	414619	KOPFSCHRAUBE - 1/2-13NC X 2-1/2 LG, SECHSKANT, VOLLGEWINDE, VERZINKT
2	1	299733	KUPPLUNGSBAUGRUPPE	42	4	414751	KOPFSCHRAUBE 3/4-10NC X 1-3/4, SORTE 5, NYLOK HVY PATCH
3	1	300048	ADAPTER	43	4	414777	KOPFSCHRAUBE 3/4-10NC X 1-3/4, SORTE 5
4	2	302711	WINKEL - STD	44	8	414871	KOPFSCHRAUBE 5/16-18NC X 1-1/4 LG, INBUS, LOK-WEL
5	1	306035	FEDER - FLACH	45	6	414897	KOPFSCHRAUBE 3/8-16NC X 1 LG, INBUS
6	2	308083	BUCHSE	46	6	414909	KOPFSCHRAUBE 3/8-16NC X 1-3/4 LG, INBUS, LOK-WEL
7	1	314007	NOCKENSCHLEIBE	47	2	414950	KOPFSCHRAUBE 1/2-13NC X 1-3/4 LG, INBUS, LOK-WEL
8	1	314010	SEILANKER (NUR STD.- TROMMEL)	48	1	418067	MUTTER, 1/2-20NF, SECHSKANT, GEGENMUTTER
9	1	324151	KUPPLUNG	49	4	418163	SICHERUNGSSCHLEIBE, 5/16, GETEILT, PLATTIERT
10	1	324318	SICHERUNGSRING	50	4	418184	UNTERLEGSCHLEIBE 3/8, ALUMINIUM
11	1	328027	ABDECKUNG - BREMSE	51	8	418249	SICHERUNGSSCHLEIBE, 3/4, GETEILT
12	1	328122	ABDECKUNG - GETRIEBEKASTEN	52	1	434583	TYPEN- UND DATENSCHILD
13	2	330010	BREMSSCHUH - TROMMELBREMSE	53	2	442192	DICHTRING
14	1	332167	TROMMEL (STANDARD)	54	1	442194	DICHTRING
15	1	334188	GETRIEBE, RECHTSDREHEND	55	1	442195	DICHTRING
16	1	338221	GEHÄUSE - BREMSE	56	1	456008	ÜBERDRUCKVENTIL
17	1	338235	KUPPLUNGSGEHÄUSE	57	1	456031	SCHMIERNIPPEL
18	1	338242	GETRIEBEKASTEN	58	2	456039	SCHMIERNIPPEL
19	1	340011	NABE - BREMSE	59	1	458106	MOTOR - HYDR.
20	1	342053	KEIL	60	2	462013	VIERLIPPENDICHTUNG
21	1	342092	KEIL	61	3	468002	REDUZIERSTÜCK
22	2	342153	KEIL	62	2	468011	ROHRSTOPFEN
23	1	350535	PLATTE - HYDR. ADAPTER	63	4	470042	SPANNSTIFT
24	1	352021	RÜCKHALTEPLATTE	64	4	470044	ZAPFEN
25	1	357498	WELLE - TROMMEL (STD)	65	4	470056	SPANNSTIFT
26	1	362224	ABSTANDHALTER	66	1	474030	RÜCKHALTEPLATTE
27	1	368082	SCHNECKE, RECHTSDREHEND	67	1	486068	ÖLDICHTUNG
28	2	400007	KUGEL - BREMSE	68	1	486076	GEWINDEDICHTUNG
29	8	400011	KUGEL - KUPPLUNG	69	1	490025	SICHERUNGSRING
30	2	402045	KUGELLAGER	70	1	494010	FEDER
31	1	412051	BUCHSE	71	2	494022	FEDER - SCHEIBE
32	2	412052	BUCHSE	72	4	494069	FEDER
33	4	414038	KOPFSCHRAUBE 1/4-20NC X 3/4 LG, SECHSKANT, SORTE 5	73	1	516059	VORSPANNVENTIL
34	4	414069	KOPFSCHRAUBE 5/16-18NC X 3/4 LG, SECHSKANT	74	1	518016	ANLAUFSCHEIBE
35	4	414111	KOPFSCHRAUBE 5/16-18NC X 1 LG, SECHSKANT, SORTE 5	75	1	530007	SCHEIBE - BREMSE
36	8	414277	KOPFSCHRAUBE 3/8-16NC X 1 LG, SECHSKANT, SORTE 5, NYLOK HVY P	76	2	530094	ABSTANDHALTER - BREMSE
37	3	414305	KOPFSCHRAUBE 3/8-16NC X 3/4 LG, SECHSKANT, VERZINKT, SORTE 5	77	4	414126	KOPFSCHRAUBE 5/16-18NC X 3/4 LG, SECHSKANT
38	2	414399	KOPFSCHRAUBE 3/8-24NF X 1-1/4 LG, VOLLGEWINDE, SORTE 5	78	1	434173	SCHILD - KUPPLUNGSHEBEL EINGERÜCKT/AUSGERÜCKT
39	8	414571	KOPFSCHRAUBE 1/2-20NF X 1 LG, SECHSKANT, SORTE 5	79	1	434174	SCHILD - KUPPLUNGSBETRIEB
40	1	414603	KOPFSCHRAUBE 1/2-20NF X 1-3/4 LG, VOLLGEWINDE, SORTE 5				

Beschriftungsposition



**Modell H-89 Dow-Lok®  
Pneumatischer Kupplungshebel**

## TEILELISTE MODELL H-89 DOW-LOK® MIT PNEUMATISCHEM KUPPLUNGSHABEL

Lfd. Nr.	Anz.	Teile-Nr.	Beschreibung	Lfd. Nr.	Anz.	Teile-Nr.	Beschreibung
1	1	299695	HALTERUNG DER PNEUM. KUPPLUNGSHABEL-BAUGRUPPE	48	1	418067	MUTTER, 1/2-20NF, SECHSKANT, GEGENMUTTER
2	1	299733	KUPPLUNGSBAUGRUPPE	49	4	418163	SICHERUNGSSCHEIBE, 5/16, GETEILT, PLATTIERT
3	1	300048	ADAPTER	50	4	418184	UNTERLEGSCHNEIBE 3/8, ALUMINIUM
4	2	302711	WINKEL - STD	51	8	418249	SICHERUNGSSCHNEIBE, 3/4, GETEILT
5	1	306035	FEDER - FLACH	52	1	434583	TYPEN- UND DATENSCHILD
6	2	308083	BUCHSE	53	2	442192	DICHTRING
7	1	314007	NOCKENSCHNEIBE	54	1	442194	DICHTRING
8	1	314010	SEILANKER (NUR STD.- TROMMEL)	55	1	442195	DICHTRING
9	1	324151	KUPPLUNG	56	1	456008	ÜBERDRUCKVENTIL
10	1	324318	SICHERUNGSRING	57	1	456031	SCHMIERNIPPEL
11	1	328027	ABDECKUNG - BREMSE	58	2	456039	SCHMIERNIPPEL
12	1	328122	ABDECKUNG - GETRIEBEKASTEN	59	1	458106	MOTOR - HYDR.
13	2	330010	BREMSSCHUH - TROMMELBREMSE	60	2	462013	VIERLIPPENDICHTUNG
14	1	332167	TROMMEL (STANDARD)	61	3	468002	REDUZIERSTÜCK
15	1	334188	GETRIEBE, RECHTSDREHEND	62	2	468011	ROHRSTOPFEN
16	1	338221	GEHÄUSE - BREMSE	63	4	470042	SPANNSTIFT
17	1	338235	KUPPLUNGSGEHÄUSE	64	4	470044	ZAPFEN
18	1	338242	GETRIEBEKASTEN	65	4	470056	SPANNSTIFT
19	1	340011	NABE - BREMSE	66	1	474030	RÜCKHALTEPLATTE
20	1	342053	KEIL	67	1	486068	ÖLDICHTUNG
21	1	342092	KEIL	68	1	486076	GEWINDEDICHTUNG
22	2	342153	KEIL	69	1	490025	SICHERUNGSRING
23	1	350535	PLATTE - HYDR. ADAPTER	70	1	494010	FEDER
24	1	352021	RÜCKHALTEPLATTE	71	2	494022	FEDER - SCHEIBE
25	1	357498	WELLE - TROMMEL (STD)	72	4	494069	FEDER
26	1	362224	ABSTANDHALTER	73	1	516059	VORSPANNVENTIL
27	1	368082	SCHNECKE, RECHTSDREHEND	74	1	518016	ANLAUFSCHEIBE
28	2	400007	KUGEL - BREMSE	75	1	530007	SCHEIBE - BREMSE
29	8	400011	KUGEL - KUPPLUNG	76	2	530094	ABSTANDHALTER - BREMSE
30	2	402045	KUGELLAGER	77	1	470045	SPANNSTIFT
31	1	412051	BUCHSE	78	1	358067	LASTÖSEN BOLZEN
32	2	412052	BUCHSE	79	1	358069	KUPPLUNGSHABELWELLE
33	4	414038	KOPFSCHRAUBE 1/4-20NC X 3/4 LG, SECHSKANT, SORTE 5	80	1	370047	GABELKOPF
34	4	414069	KOPFSCHRAUBE 5/16-18NC X 3/4 LG, SECHSKANT	81	1	413074	ABDECKUNG - PNEUM. KUPPLUNGSHABEL
35	4	414111	KOPFSCHRAUBE 5/16-18NC X 1 LG, SECHSKANT, SORTE 5	82	4	414126	KOPFSCHRAUBE 5/16-18NC X 3/4 LG, SECHSKANT
36	8	414277	KOPFSCHRAUBE 3/8-16NC X 1 LG, SECHSKANT, SORTE 5	83	1	416061	STELLSCHRAUBE 3/8-24NF X 1-1/4 LG
37	3	414305	KOPFSCHRAUBE 3/8-16NC X 3 1/4, SECHSKANT, VERZINKT, SORTE 5	84	4	416214	SCHRAUBE #10-32NF X 1/4 LG, RD, SECHSKANT, VERZINKT
38	2	414399	KOPFSCHRAUBE 3/8-24NF X 1-1/4 LG, VOLLGEWINDE, SORTE 5	85	4	416262	SCHRAUBE #10-32NF X 3/4 LG, INNENSECHSKANT, VERZINKT
39	8	414571	KOPFSCHRAUBE 1/2-20NF X 1 LG, SECHSKANT, SORTE 5	86	2	418035	MUTTER 3/8-16NC, SECHSKANT, REG, VERZINKT
40	1	414603	KOPFSCHRAUBE 1/2-20NF X 1-3/4 LG, VOLLGEWINDE, SORTE 5	87	1	418041	MUTTER 3/8-24NF, SECHSKANT, GEGENMUTTER
41	2	414619	KOPFSCHRAUBE 1/2-13NC X 2-1/2 LG, SECHSKANT, VOLLGEWINDE, VERZINKT	88	4	418141	SICHERUNGSSCHNEIBE #10, GETEILT, VERZINKT
42	4	414751	KOPFSCHRAUBE 3/4-10NC X 1-3/4, SORTE 5, NYLOK HVY PATCH	89	1	424005	SPLINT
43	4	414777	KOPFSCHRAUBE 3/4-10NC X 1-3/4, SORTE 5	90	1	424029	LASTÖSEN BOLZEN
44	8	414871	KOPFSCHRAUBE 5/16-18NC X 1-1/4 LG, INBUS, LOK-WEL	91	1	433016	LUFTZYLINDER
45	6	414897	KOPFSCHRAUBE 3/8-16NC X 1 LG, INBUS	92	1	456038	ENTLÜFTER
46	6	414909	KOPFSCHRAUBE 3/8-16NC X 1-3/4 LG, INBUS, LOK-WEL				
47	2	414950	KOPFSCHRAUBE 1/2-13NC X 1-3/4 LG, INBUS, LOK-WEL				



1600 N. Garnett Road Tulsa, Oklahoma 74116 (918) 438-2760

---

Ramsey Winch Company  
1600 North Garnett Road  
Tulsa, OK 74116

#### EC-KONFORMITÄTSERKLÄRUNG

gemäß Maschinenrichtlinie 98/37/EC

Hiermit erklären wir, dass das Windenmodell H-89 der folgenden Richtlinie entspricht, sofern der BENUTZER alle Anweisungen im Benutzerhandbuch befolgt:

98/37/EC

Angewandte harmonisierte Normen:

EN 14492-1:2006 Kraftgetriebene Winden

ISO 9001:2000 Qualitätsmanagementsysteme - Anforderungen

Datum: 19. August 2008

Unterschrift

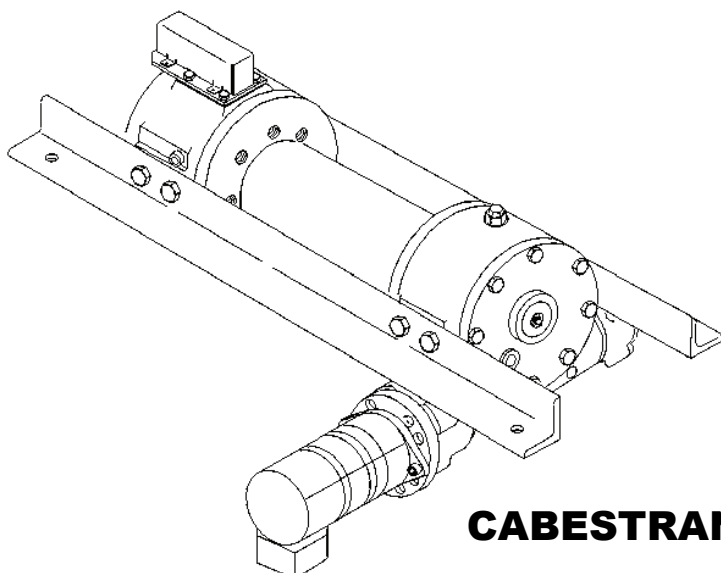
A handwritten signature in black ink, appearing to read "Todd Brady", written over a horizontal line.

Todd Brady  
Engineering Manager



**MANUAL DE FUNCIONA-  
MIENTO, REPARACIÓN Y  
MANTENIMIENTO**

English (Original Instructions)..... 1  
Français (Translation of the Original Instructions). ....25  
Deutsch (Translation of the Original Instructions)..... 48  
Español (Translation of the Original Instructions) .... 72



**CABESTRANTE MODELO H-89**

**USO PRETENDIDO PARA: RECUPERACIÓN DE VEHÍCULOS Y  
ARRASTRE DE CARGAS**



**PRECAUCIÓN: LEER Y ENTENDER ESTE MANUAL ANTES DE INSTALAR Y UTILIZAR EL  
CABESTRANTE. OBSERVAR LAS ADVERTENCIAS.**

**Ramsey Winch Company**

P.O. Box 581510 - Tulsa, OK 74158-1510 USA  
Teléfono: + 1 918 438-2760 - Fax: +1 918 438-6688  
Visítenos en <http://www.ramsey.com>

Ramsey Bevollmächtigter in der Europäischen Union:  
(Bitte nur bei Regulierungsfragen kontaktieren.)

Alura Group BV  
P.O. Box 18626  
2502 EP The Hague  
The Netherlands  
Tel: (31) (0) 70 362-4896  
Fax: (31) (0) 70 346-7299



## Contenido

Advertencias .....	75
Responsabilidad del usuario para el cumplimiento con las disposiciones CE.....	75
Técnicas de manejo .....	76-77
Mantenimiento del cabestrante .....	77
Montaje del cabestrante .....	77
Instalación del cable metálico .....	78
Ajuste del freno de retención enfriado por aceite .....	79
Reparación del freno de retención enfriado por aceite .....	79
Remontaje y comprobación del freno .....	80
Prueba del montaje correcto del freno .....	80
Ajuste del cambio neumático del embrague .....	81
Guía de solución de problemas .....	82
Requisitos del sistema hidráulico .....	83
Disposición típica del sistema hidráulico .....	83
Gráficas de rendimiento .....	84
Instrucciones de verificación .....	85-89
Dibujos acotados .....	90-91
Dibujos de piezas y listas de piezas .....	92-95
Declaración CE de conformidad .....	96

<b>Tracción de cable nominal</b>	89,0 kN	<b>Nivel sonoro: 80 dB(A) sin carga</b>		
	20000 lb	<b>Reducción de engranajes</b>		40:1
<b>Capa de cable</b>				
		1	2	3
<b>*Tracción de cable nominal por capa</b>	kN	89,0	73,8	63,2
	(lb)	20,000	16,600	14,200
<b>*Capacidad del cable por capa</b>	m*	10	23	38
	(ft)*	35	75	125
<b>*Velocidad del cable a 114 l/min (30 GPM)</b>	MPM	5,4	6,3	7,2
	(FPM)	18	21	24
* Estas especificaciones se basan en un cable metálico recomendado de 16 mm de clase 1960 y en un motor de 244 cc/Rev.				

## Advertencias

- El usuario deberá garantizar que el personal que use el equipo haya recibido la formación necesaria.
- El operador deberá trabajar siempre siguiendo las instrucciones de funcionamiento.
- El embrague debe estar totalmente engranado antes de comenzar a utilizar el cabestrante.
- No desengranar el embrague en condiciones de carga.
- No acercarse a las cargas elevadas.
- No acercarse al cable metálico cuando esté tirando. No intentar guiar el cable metálico.
- Se prohíbe el traslado de cargas por encima de la capacidad nominal del cabestrante.
- No intentar trasladar cargas fijas o en las que haya obstáculos.
- No utilizar el cabestrante para levantar, sujetar o transportar personas.
- Para sujetar la carga se necesita un mínimo de 2 vueltas de cable metálico alrededor del tambor.
- Evitar las condiciones en las que se pueda producir la sacudida o el desplazamiento de la carga. Deberá evitarse el balanceo excesivo.

## RESPONSABILIDAD DEL USUARIO PARA EL CUMPLIMIENTO CON LAS DISPOSICIONES CE

1. Emplear solamente una válvula de control (con ensanche en el centro) de la bobina del motor que sea conforme a los requisitos del sistema hidráulico.
2. Si se usa una válvula de control del cabestrante accionada de forma remota, consultar la sección de requisitos del sistema hidráulico para conocer los componentes de parada de emergencia que es necesario instalar.
3. Ajustar la presión de alivio del sistema conforme a lo descrito en la sección de requisitos del sistema hidráulico.
4. Montar el motor hidráulico necesario y la válvula de control del motor del puerto "A" conforme a lo descrito en la sección Requisitos del sistema hidráulico.
5. Montar el cabestrante según las instrucciones de montaje del cabestrante.
6. Instalar el cable metálico de 16 mm de clase 1960. La longitud máxima del cable debe ser de 38 m para un máximo de tres capas. Conectar el cable al tambor según las instrucciones de instalación del cable. El gancho debe tener un cierre de seguridad y una resistencia mínima a la ruptura de 225 kN.

## TÉCNICAS DE MANEJO

La mejor manera de familiarizarse con el funcionamiento del cabestrante es hacer pruebas de funcionamiento antes de utilizarlo. Planee la prueba con antelación. Recuerde que el cabestrante se puede oír, al igual que se puede ver cómo funciona. Hay que acostumbrarse a reconocer los sonidos de una tracción ligera y continua, una tracción pesada, y el sonido producido por la sacudida o el desplazamiento de la carga. Al ganar confianza con el manejo del cabestrante su empleo se hará con total naturalidad. El enrollado desigual del cable, mientras se está tirando de una carga, no es un problema, a menos que se produzca un apilamiento del cable en un extremo del tambor. Si esto sucede, girar el cabestrante para liberar la carga y alejar el punto de anclaje del centro del vehículo. Una vez acabado el trabajo, se puede desenrollar y enrollar para que el cable quede bien colocado.

El embrague **Dow-Lok**<sup>®</sup> ofrece devanado constante y engranado del embrague con el tambor del cable. Con el embrague desengranado, el cable se puede desenrollar libremente del tambor. Para subir la carga, el embrague debe estar totalmente engranado con el tambor.

El embrague **Dow-Lok**<sup>®</sup> se engancha en la posición "IN" (DENTRO) o en la posición "OUT" (FUERA) mediante un pasador que se encuentra en la parte inferior del asa del cambio, el cual encaja en las ranuras de enganche.

### PARA DESENGRANAR EL EMBRAGUE

Hacer funcionar el cabestrante en marcha atrás (bajar) hasta que la carga se desprenda del cable. Sujetar el asa firmemente y empujar sobre la parte superior de la misma con el pulgar para nivelarlo, levantarla hasta que el pasador salga de las ranuras de enganche.

### PARA ENGRANAR EL EMBRAGUE

Desenganchar y tirar del asa hacia la posición "IN" todo lo posible. Para conseguir un engranaje total, los elementos internos del embrague deben estar alineados. Esta alineación tendrá lugar cuando el tambor del cable o el eje del tambor del cable gire un máximo de ¼ de revolución.

El embrague se engranará automáticamente y el pasador caerá en las ranuras "IN" cuando se complete la alineación. **No intentar levantar una carga a menos que el pasador se encuentre metido totalmente en las ranuras "IN".** Alejarse del asa accionada por muelle durante el engranaje automático.

### PARA DESENGRANAR EL EMBRAGUE

Desenganchar el asa y empujarla a la posición "OUT", insertar el pasador totalmente en las ranuras de enganche. No desengranar el embrague en condiciones de carga.

El **embrague de cambio neumático Dow-Lok**<sup>®</sup> ofrece enrollado constante y engranado del embrague con el tambor del cable. Con el embrague desengranado, el cable se puede desenrollar libremente del tambor. Para subir la carga, el embrague debe estar totalmente engranado con el tambor.

### PARA ENGRANAR EL EMBRAGUE

Debe haber un mínimo de 50 cm de huelgo en el cable antes de intentar engranar el embrague. Esto hará que el tambor gire un mínimo de ¼ de vuelta, lo que permitirá el engranado del embrague antes de elevar la carga. Con este huelgo en el cable, dejar salir la presión de aire del cilindro de aire del cambio. Hacer funcionar el cabestrante en la dirección "IN" hasta que empiece a girar el embrague. El embrague debe estar totalmente engranado antes de comenzar a utilizar el cabestrante.

### PARA DESENGRANAR EL EMBRAGUE

Hacer funcionar el cabestrante en la dirección "OUT" hasta que no haya carga en el cable. Aplicar 4,8-6,2 bares de presión al cilindro de aire del cambio para desengranar el embrague. **No desengranar el embrague en condiciones de carga.**

El **embrague del cambio de perfil bajo Dow-Lok**<sup>®</sup> ofrece enrollado constante y engranado del embrague con el tambor del cable. Con el embrague desengranado, el cable se puede desenrollar libremente del tambor. Para subir la carga, el embrague debe estar totalmente engranado con el tambor.

## PARA ENGRANAR EL EMBRAGUE

Levantar el asa para que la ranura se separe del soporte, y extraer el asa lo máximo posible. El embrague se engranará automáticamente mediante el muelle y se cerrará cuando esté alineado con el eje del tambor. Para conseguir un engranaje total, los elementos internos del embrague DEBEN estar alineados. Esta alineación tendrá lugar cuando el tambor del cable o el eje del tambor del cable gire un máximo de ¼ de revolución. No intentar tirar de una carga a menos que la ranura del cambio esté enganchada correctamente. Alejarse del asa accionada por muelle durante el engranaje automático.

## PARA DESENGRANAR EL EMBRAGUE

Levantar el asa para que la ranura se separe del soporte. Empujar el asa hacia dentro y enganchar la ranura del eje en el soporte. No desengranar el embrague en condiciones de carga.

## MANTENIMIENTO DEL CABESTRANTE

El adherirse al siguiente calendario de mantenimiento hará que el cabestrante esté en excelentes condiciones de funcionamiento y con el mínimo de reparaciones.

### A. SEMANAL

1. Comprobar el nivel de aceite y mantenerlo hasta el tapón del nivel del aceite. Si existe una fuga de aceite, determinar la ubicación y reparar.
2. Comprobar el regulador de descompresión
3. en la parte superior de la caja de engranajes. Asegurarse de que esté en buenas condiciones de funcionamiento para que los gases del aceite caliente puedan escapar.
4. Lubricar el cable con aceite ligero.

### B. MENSUAL

1. Lubricar los diferentes conectores de engrase ubicados en los extremos del eje del tambor del cable, soporte final, cárter del embrague o acoplamiento de accionamiento del embrague. Es aceptable cualquier grasa de buena calidad o que contenga bisulfuro de molibdeno.
2. Comprobar el funcionamiento del anillo de retención y asegurarse de lo siguiente: está

accionado por el muelle, se desplaza sin obstáculos contra el tambor del cable en la posición de engranado, y se separa totalmente del tambor del cable y se engancha cuando está desengranado,.

3. Comprobar los pernos de montaje del cabestrante. Si falta alguno, ponerlos y apretar firmemente los que estén flojos al par recomendado. Asegurarse de utilizar solamente pernos de clase 5 o mejores.
4. Comprobar el par torsor del freno de retención enfriado por aceite. Hacer todos los ajustes necesarios, seguir el procedimiento AJUSTE DEL FRENO DE RETENCIÓN ENFRIADO POR ACEITE descrito en el Manual del propietario.
5. Inspeccionar el cable. Si el cable se deshilacha con hilos rotos, cambiarlo inmediatamente.

### C. ANUAL

1. Purgar el aceite del cabestrante anualmente o más a menudo si se utiliza con frecuencia. Llenar con keroseno limpio el cabestrante hasta el tapón del nivel de aceite. Hacer funcionar el cabestrante durante unos minutos sin carga en la dirección de enrollado. Purgar el keroseno del cabestrante. Volver a llenar el cabestrante hasta el tapón del nivel de aceite con aceite para engranajes universal E.P. 140.
2. Inspeccionar el bastidor y la estructura circundante en busca de grietas o deformaciones. Se puede calcular el desgaste del engranaje **moviendo el tambor de un lado a otro y, si es necesario, se puede purgar el aceite y retirar la tapa para inspeccionarlo de cerca.**
3. Ajustar el freno de retención enfriado por aceite. Consulte *AJUSTE DEL FRENO DE RETENCIÓN ENFRIADO POR ACEITE* en la página 78.

## MONTAJE DEL CABESTRANTE

Es de suma importancia que este cabestrante se monte firmemente de forma que las tres secciones principales (el extremo del cárter del embrague, el tambor del cable y el extremo de la caja de engranajes) queden alineadas correctamente.

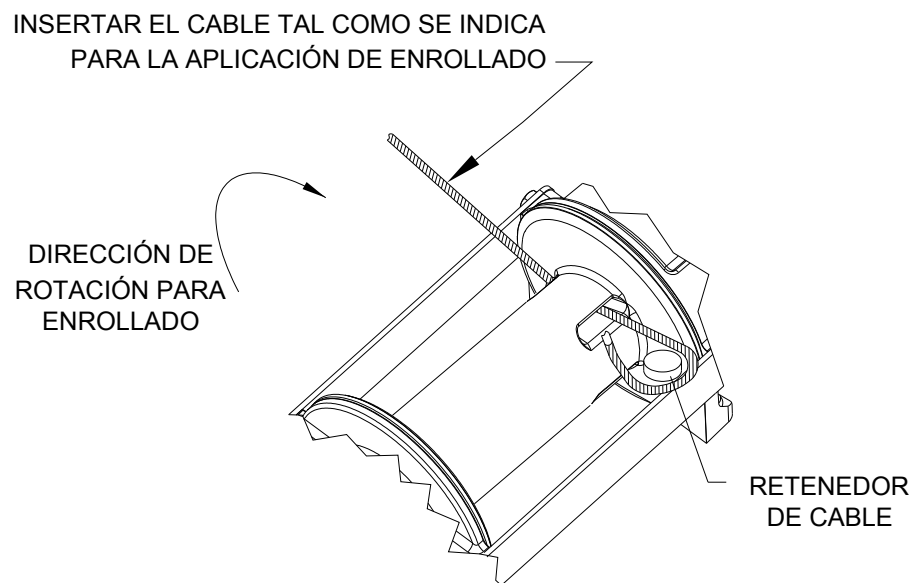
Este cabestrante de la serie H-89 Dow-Lok® está provisto de escuadras de acero de alta resistencia de 13 x 76 x 102 mm.

## INSTALACIÓN DEL CABLE METÁLICO

El cabestrante Ramsey Modelo H-89 Dow-Lok® tiene dos receptáculos cónicos dentro del tambor. Uno de los receptáculos es para la instalación con el cable metálico enrollado en el tambor. El otro receptáculo es para el cable metálico desenrollado.

1. Deslizar el cable metálico a través del extremo estrecho del receptáculo junto al reborde del tambor.
2. Enrollar el cable metálico alrededor del retenedor, tirar de aquél y anclarlo de vuelta en el extremo ancho del receptáculo.
3. Emplear un martillo blando para dirigir el lado posterior del cable metálico, asentando éste último y el anclaje firmemente en el receptáculo.

El cable metálico se puede retirar fácilmente del tambor dirigiendo el anclaje fuera del extremo ancho del receptáculo. Manteniendo tensión en el extremo del cable, hacer funcionar con cuidado el cabestrante en la dirección de "subida" (enrollado) y devanar todo el cable sobre el tambor. Tener cuidado de que se enrollen bien las capas.



**NOTA:** DIRECCIÓN DE ROTACIÓN MOSTRADA CON BOLAS DEL FRENO EN LA RANURA 2 (ROTACIÓN "A").

## AJUSTE DEL FRENO DE RETENCIÓN ENFRIADO POR ACEITE

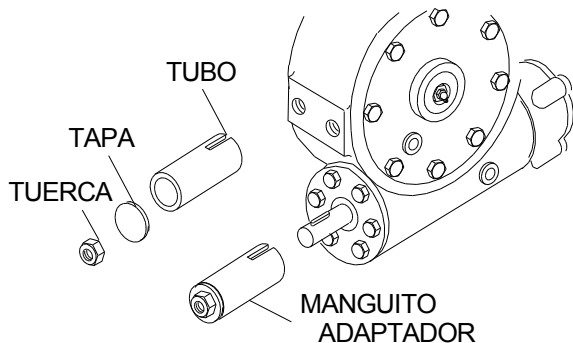
El freno de retención automático, totalmente ajustable y enfriado por aceite, funciona dentro del lubricante de la caja de engranajes de tornillo sinfín, con todas las piezas sumergidas en aceite. El freno se puede ajustar de la siguiente forma:

1. Aflojar la tuerca de fijación del tornillo nivelante.
2. Apretar el freno girando el tornillo nivelante a la derecha. **PRECAUCIÓN:** Normalmente, para ajustar el freno sólo se requiere un giro de  $\frac{1}{4}$  de vuelta. Tensarlo demasiado podría recalentar las piezas del freno y dañarlas. Apretar la tuerca de fijación después de terminar el ajuste.

Si el freno no responde al ajuste, serán necesarios un nuevo muelle de lámina flexible y un disco de freno.

Se puede acoplar un adaptador especial a una llave de torsiométrica para poder apretar el eje de entrada (engranaje de tornillo sinfín) del cabestrante. El adaptador se puede hacer soldando una tuerca al extremo de un trozo de tubo tal como se indica en la siguiente figura. Después de soldar la tapa y la tuerca en el tubo, ranurar el tubo tal como aparece en la figura. Esto permitirá que el adaptador especial pueda deslizarse sobre el chavetero y funcionar como una bocabarra.

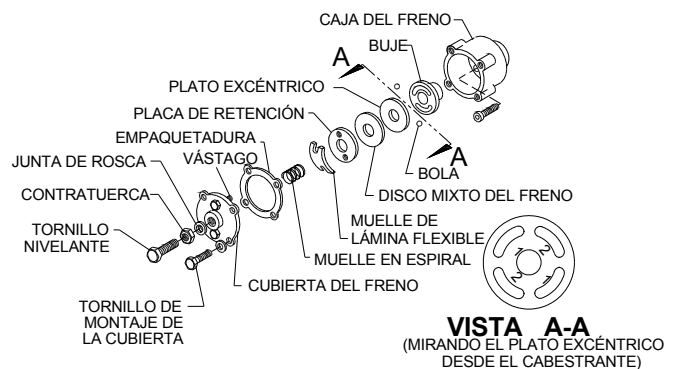
Podrá emplear una llave torsiométrica para aplicar el par de apriete. Girar la llave torsiométrica de manera que el tambor gire en la dirección de desbobinar o de descenso. El régimen nominal de par de torsión para el modelo H-89 Dow-Lok® debe ser de 68 a 75 Nm. Si la llave torsiométrica no indica el valor correcto al girar, deberá girarse  $\frac{1}{4}$  de vuelta el perno de ajuste del freno



helicoidal. Cada vez que se gire el perno de ajuste, comprobar la lectura del par de torsión. Continuar este procedimiento hasta que se consiga la lectura correcta del par de torsión y, a continuación, apretar la tuerca de fijación.

## REPARACIÓN DEL FRENO DE RETENCIÓN ENFRIADO POR ACEITE

1. Retirar el tapón de purga y purgar el aceite del engranaje de tornillo sinfín de la caja del engranaje.
2. Apartar la tuerca de fijación y luego el tornillo nivelante, girando ambos dos o más vueltas a la izquierda.
3. Retirar los tornillos de montaje de la tapa.
4. Retirar la tapa junto con el muelle en espiral y el muelle de lámina flexible.
5. Retirar la placa de retención, el disco mixto del freno, el plato excéntrico y las bolas. Examinar las ranuras en las que están las bolas, núm. 1 o núm. 2. Esto determinará la dirección de engranaje del freno.
6. Insertar las piezas de la siguiente manera:
  - a) Los discos mixtos del freno tienen un grosor de 6,4 mm cuando están nuevos. Reemplazarlos si miden menos de 4,8 mm o si las superficies están brillantes o quemadas.
  - b) Inspeccionar la superficie nivelada plana del plato excéntrico y de la placa de retención por si parece brillante, abarquillada o presenta otros daños. La brillantez se puede eliminar raspando con cuidado.
  - c) Inspeccionar el muelle de lámina flexible. Debe estar curvado unos 3 mm.



**DIAGRAMA 1**  
**FRENO DE RETENCIÓN DE TORNILLO SINFIN**

## **REMONTAJE Y COMPROBACIÓN DEL FRENO DE RETENCIÓN**

1. Presionar el buje del freno en su sitio sobre el eje helicoidal y el chavetero.
2. Montar las bolas en las ranuras correspondientes del plato excéntrico. Observar la placa de nombre y datos para conocer la posición de las ranuras de las bolas del freno. Emplear grasa pastosa para sujetar las bolas en su sitio y deslizar el plato de la excéntrica sobre el extremo del engranaje. Asegurarse de que las bolas estén sujetas entre las ranuras de la excéntrica y del buje. Instalar el disco del freno.
3. Instalar la placa de retención, con el lado liso hacia el disco del freno.
4. Instalar la empaquetadura en la tapa con una pequeña cantidad de grasa o sellador.
5. El muelle helicoidal va sobre el tornillo nivelante en el interior de la tapa.
6. Instalar las ranuras del muelle de lámina flexible en los vástagos que salen de la tapa. El lado hueco del muelle de lámina flexible va hacia el freno.
7. Instalar la tapa de la caja del freno y asegurarse de que los vástagos salientes atraviesen el muelle de lámina flexible y entren en los agujeros de la placa de retención.
8. Atornillar la tapa en su sitio con los tornillos de montaje. Instalar un tapón de purga y añadir 1,8 litros de aceite universal E.P. 140.
9. Girar el cabestrante una vuelta del eje de entrada como mínimo en la dirección de elevación.
10. Girar el tornillo nivelante con los dedos hasta que esté apretado.

## **PRUEBA DEL MONTAJE CORRECTO DEL FRENO DE RETENCIÓN**

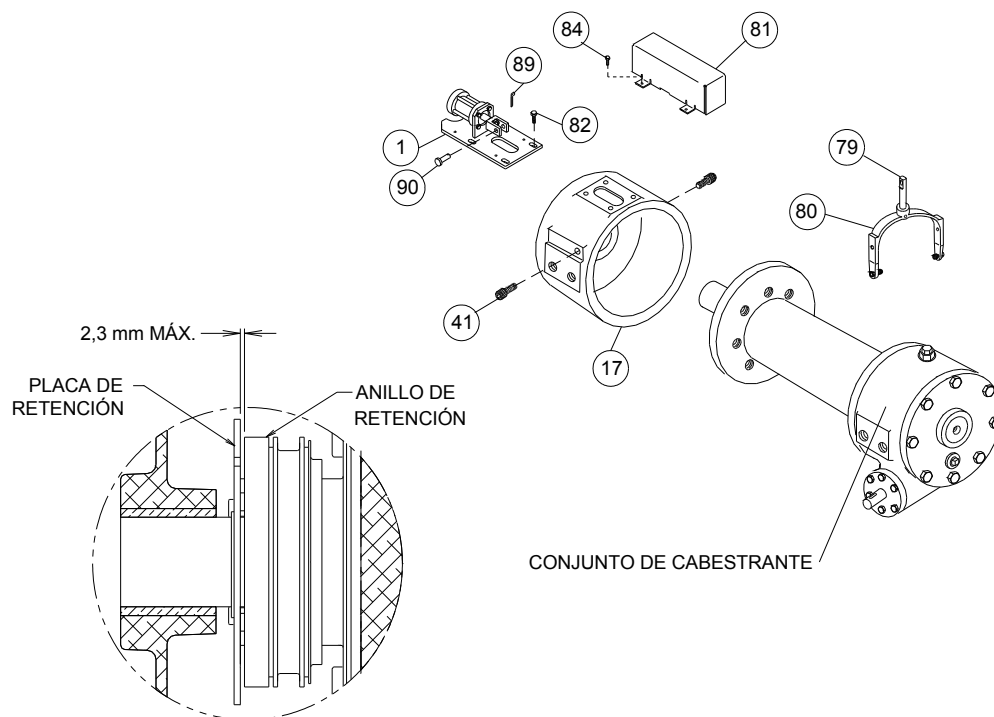
Después de haber ajustado el freno al par adecuado de torsión, desenganchar el embrague. Arrancar el motor del vehículo y hacer funcionar el cabestrante en la dirección de bobinado (elevación). Permitir que el cabestrante funcione en esta dirección durante un minuto.

Poner la mano en la caja del freno de seguridad. Si la caja no está caliente al tacto, hacer funcionar el cabestrante en la dirección de marcha atrás (cable fuera) durante un minuto. La caja del freno empezará a calentarse.

Cuando se dan estas condiciones es que se ha hecho una instalación correcta. Si se advierte calentamiento cuando el cabestrante está funcionando en la dirección de giro hacia adelante (elevación), deberá desmontarse el freno de nuevo. Cuando esté desmontado, poner las bolas del freno en el juego alterno de ranuras de los platos excéntricos y luego seguir las instrucciones atentamente para volver a montar el freno y comprobarlo.

## AJUSTE DEL CAMBIO NEUMÁTICO DEL EMBRAGUE

1. Colocar el conjunto del cabestrante en el bastidor de montaje y volver a acoplarlo con (8) pernos de montaje y arandelas de seguridad. Apretar los tornillos de montaje a 393 Nm cada uno. Asegurarse de que la caja de engranajes y el cárter del embrague no rocen los rebordes del tambor.
2. Colocar el conjunto del cambio neumático núm. 1 sobre el eje de cambio alineando la horquilla sobre las partes planas del eje. Fijar la horquilla al eje con el pasador de horquilla núm. 90 y el pasador de chaveta núm. 89. Colocar el eje del cambio en la posición de "ENGRANADO". Con el eje del cilindro de aire totalmente retractado, empujar el conjunto del cambio hacia el tambor hasta que no quede huelgo en el eje de cambio. Fijar el conjunto del cambio al cárter del embrague con (4) tornillos de casquete núm. 82 (cabeza hexagonal con reborde acanalado). Apretar con firmeza, pero sin par torsor.
3. Interconectar aire a 4,8-6,2 bares al orificio de entrada del cilindro de aire y desengranar el embrague. Examinar la abertura del cárter del embrague y verificar que el anillo de retención y la placa de retención no estén en contacto. El anillo de retención y la placa de retención no deben estar en contacto. Cuando el cabestrante esté totalmente desengranado, debe haber un huelgo de 2,3 mm como máximo entre el anillo de retención y la placa de retención. Si hubiese contacto, habría que aflojar los (4) tornillos de casquete núm. 82 y sacar la placa del tambor 1,5 mm aproximadamente. Apretar los tornillos firmemente y comprobar el movimiento para garantizar que exista el huelgo necesario. Para conseguir el huelgo necesario, repetir el procedimiento de ajuste según sea necesario. Cambiar el embrague 2 ó 3 veces para verificar el cambio correcto del embrague. Después del ajuste final, apretar los (4) tornillos de casquete núm. 82 a 24 Nm cada uno. Acoplar la cubierta núm. 81 con los (4) tornillos de casquete núm. 84.





## GUÍA DE SOLUCIÓN DE PROBLEMAS

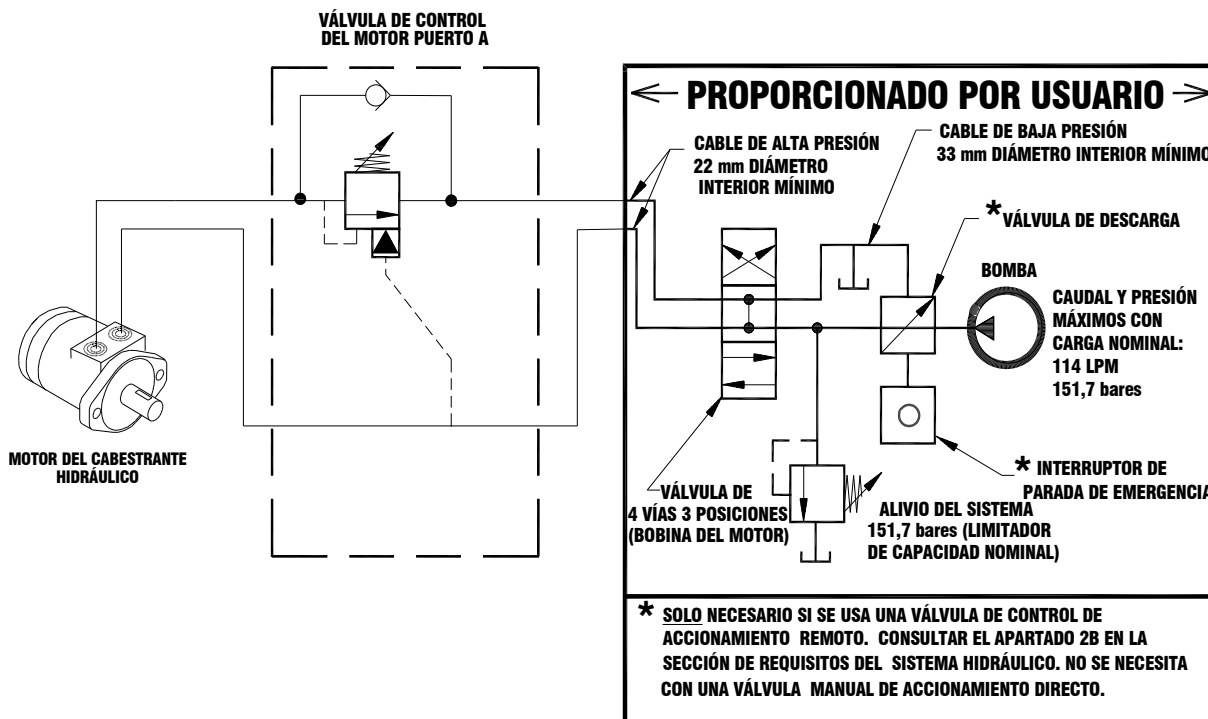
ESTADO	CAUSA POSIBLE	CORRECCIÓN
EMBRAGUE INOPERANTE O SE TRABA	<ol style="list-style-type: none"> <li>1. Eje seco u oxidado.</li> <li>2. Balancín o acoplamiento doblado.</li> <li>3. El embrague está sucio.</li> <li>4. El embrague no se desengrana.</li> </ol>	<ol style="list-style-type: none"> <li>1. Limpiar y lubricar.</li> <li>2. Reemplazar el conjunto del eje o del balancín.</li> <li>3. Limpiar y lubricar.</li> <li>4. Ajustar el cambio neumático del embrague. (Ver la sección <i>Mantenimiento</i>).</li> </ol>
LA CARGA SE DESPLAZA	<ol style="list-style-type: none"> <li>1. El freno de retención está desgastado.</li> <li>2. El freno de retención está desajustado.</li> <li>3. Sistema hidráulico incorrecto.</li> <li>4. Carga mayor que la capacidad nominal.</li> </ol>	<ol style="list-style-type: none"> <li>1. Cambiar el disco de freno. (Ver <i>Reparación del freno de seguridad enfriado por aceite</i>).</li> <li>2. Girar el perno de ajuste ¼ de vuelta a la derecha hasta que la carga no se desplace.</li> <li>3. Revisar el sistema hidráulico. (Ver <i>Requisitos del sistema hidráulico</i>).</li> <li>4. Reducir la carga.</li> </ol>
FUGAS DE ACEITE DEL CABESTRANTE	<ol style="list-style-type: none"> <li>1. Juntas dañadas o desgastadas.</li> <li>2. Demasiado aceite.</li> <li>3. Empaquetadura dañada.</li> </ol>	<ol style="list-style-type: none"> <li>1. Cambiar la junta.</li> <li>2. Purgar el exceso de aceite. Consultar <i>Mantenimiento del cabestrante</i>.</li> <li>3. Cambiar la empaquetadura.</li> </ol>
EL CABESTRANTE FUNCIONA DEMASIADO LENTO	<ol style="list-style-type: none"> <li>1. Medida baja del caudal.</li> <li>2. Motor hidráulico desgastado.</li> </ol>	<ol style="list-style-type: none"> <li>1. Comprobar la medida del caudal. Consultar <i>Requisitos del sistema hidráulico</i>.</li> <li>2. Cambiar el motor.</li> </ol>
EL TAMBOR DEL CABLE NO REALIZA EL ENROLLADO CONSTANTE	<ol style="list-style-type: none"> <li>1. El embrague no se desengrana.</li> <li>2. El cabestrante no está montado en ángulo recto, haciendo que el cojinete trabe el tambor.</li> </ol>	<ol style="list-style-type: none"> <li>1. Comprobar que la presión del aire en el cilindro sea como mínimo 4,8 bares. (Consultar <i>Ajuste del cambio neumático del embrague</i>).</li> <li>2. Comprobar el montaje. (Consultar <i>Montaje del cabestrante</i>).</li> </ol>
EL CABLE SE SALE CUANDO SE DESENGRANA EL EMBRAGUE	<ol style="list-style-type: none"> <li>1. El disco de freno de arrastre está desgastado.</li> </ol>	<ol style="list-style-type: none"> <li>1. Cambiar los discos.</li> </ol>
EL FLUIDO HIDRÁULICO SE FUGA POR UN AGUJERO DEL ADAPTADOR DEL MOTOR	<ol style="list-style-type: none"> <li>1. La junta del eje del motor hidráulico está dañada.</li> </ol>	<ol style="list-style-type: none"> <li>1. Cambiar la junta.</li> </ol>

## REQUISITOS DEL SISTEMA HIDRÁULICO

1. Válvula de control (con ensanche en el centro) de la bobina del motor.
2. Parada de emergencia:
  - A. Si el cabestrante se controla con una válvula manual de accionamiento directo, dicha válvula servirá como parada de emergencia.
  - B. Si se emplea una válvula de control de accionamiento remoto, se necesita una válvula de descarga hidráulica accionada por solenoide, normalmente abierta al tanque, y un interruptor de parada de emergencia (para abrir la válvula de descarga). El interruptor de parada de emergencia debe estar por lo general cerrado y dispone de un accionador de botón reinicializable de color rojo con el fondo amarillo. El interruptor de parada de emergencia debe estar ubicado de modo que el operador tenga fácil acceso al mismo.
3. Válvula de control del motor del puerto "A" con una capacidad de flujo máximo de 114 LPM.
4. Motor hidráulico con un volumen de 244 cc/rev.
5. La válvula de alivio debe estar ajustada a 151,7 bares, valor que coincide con el limitador de capacidad nominal.
6. La medida del caudal debe ser como máximo de 114 LPM.
7. El fluido hidráulico debe tener una viscosidad de 20 a 43 cSt (100 a 200 SUS).  
La temperatura de funcionamiento máxima es de 85° C. El nivel de limpieza según la norma ISO debe ser 17-14 o mejor.

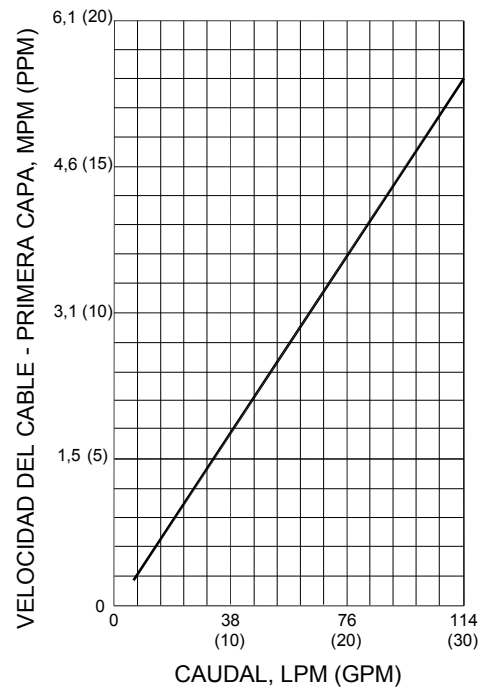
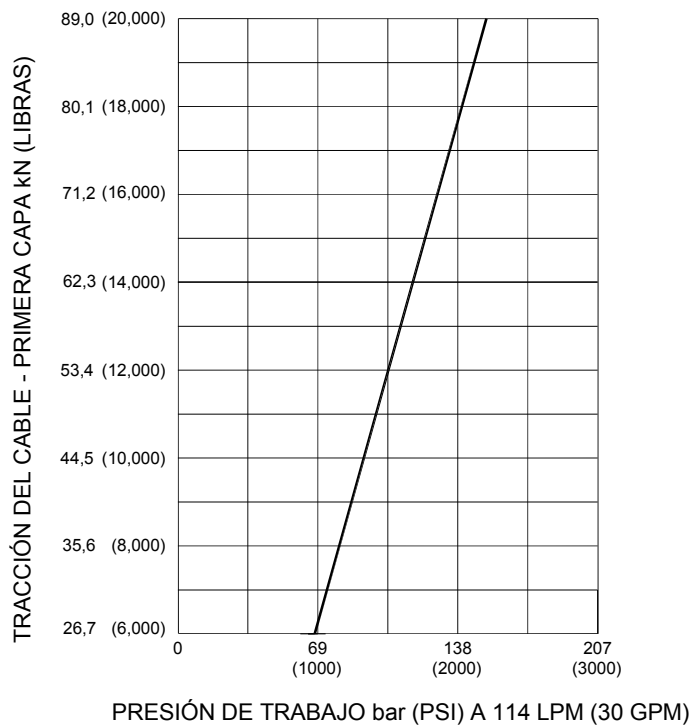
**Nota:** Algunos modelos se comercializan sin el motor hidráulico y sin la válvula de control del motor del puerto "A". Es responsabilidad del usuario cumplir los requisitos del sistema hidráulico.

## DISPOSICIÓN TÍPICA DEL SISTEMA HIDRÁULICO



Consultar los gráficos de funcionamiento que figuran más abajo para ajustar el sistema hidráulico al funcionamiento del cabestrante. Los gráficos son los siguientes: (1) Tracción del cable de la primera capa, en kN (libras), en función de la presión de trabajo, en bares (psi); (2) Velocidad del cable, primera capa, en MPM (PPM), en función del flujo en LPM (GPM).

## GRÁFICOS DE FUNCIONAMIENTO



# INSTRUCCIONES PARA VERIFICAR EL MODELO H-89 DOW-LOK® DE RAMSEY DESMONTAJE

Consultar las páginas de lista de piezas y dibujos de piezas para ver el número de elemento y el número de pieza correspondiente.

## FIGURA 1

Purgar el aceite de la caja de engranajes sacando el tapón macho roscado núm. 88 de la caja de engranajes. Cambiar el embrague a la posición engranada "IN". Si está equipado con cambio neumático, retirar la cubierta del cambio neumático núm. 43, el pasador de chaveta núm. 75 y el pasador de horquilla núm. 76. Retirar las escuadras del bastidor núm. 7 y núm. 8 del conjunto del cabestrante.

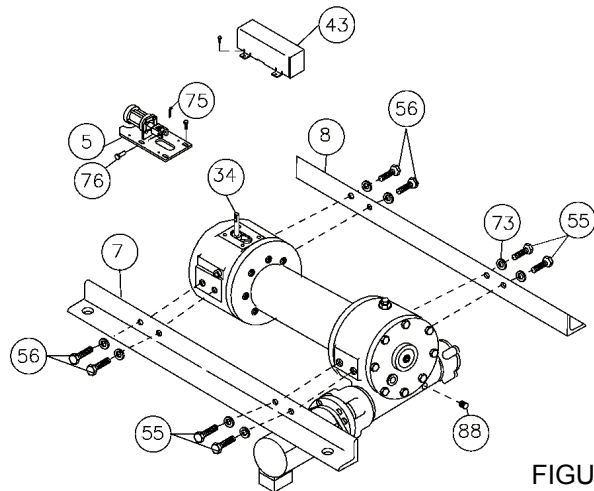


FIGURA 1

## FIGURA 2

Retirar los dos tornillos de casquete núm. 53 del cárter del embrague núm. 21 y desenganchar el conjunto del cambio núm. 34. Retirar el cárter del embrague del extremo del eje del tambor. Presionar sobre la placa de retención núm. 93 para aliviar la tensión del muelle y retirar el anillo de retención núm. 96. Quitar los cuatro tornillos de casquete núm. 44, la placa de retención núm. 93, los muelles núm. 99 y el espaciador núm. 35.

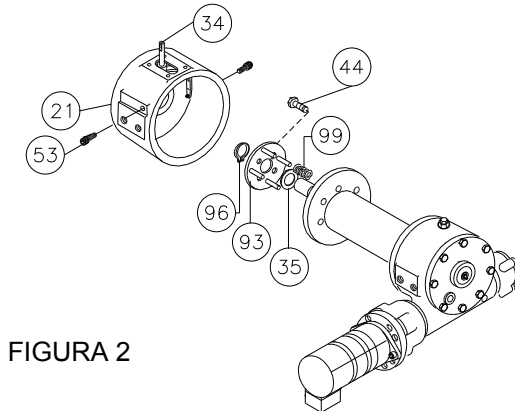


FIGURA 2

## FIGURA 3

Deslizar el anillo de retención núm. 14 fuera del embrague. NOTA: El anillo de retención no podrá retirarse a menos que el embrague esté engranado, con las clavijas núm. 90 asentadas en el chavetero del eje. Girar el tambor de manera que se puedan retirar las ocho bolas núm. 39 y las cuatro clavijas núm. 90. Si fuera necesario, se podrá desmontar el embrague núm. 13 del tambor retirando los ocho tornillos de casquete núm. 50. Deslizar el tambor núm. 18 fuera del eje del tambor.

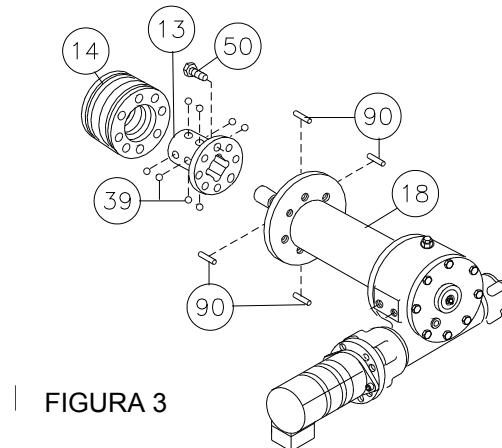


FIGURA 3

#### FIGURA 4

Retirar el motor núm. 85 de la placa del adaptador núm. 29 sacando los tornillos de casquete núm. 59. Retirar la placa y el acoplamiento núm. 3 del adaptador núm. 6 desatornillando ocho tornillos de casquete núm. 56.

Retirar la chaveta núm. 26 del eje helicoidal. Desatornillar los seis tornillos de casquete núm. 58 y retirar el adaptador de la caja de engranajes. Volver a colocar la junta del adaptador núm. 94 y la empaquetadura núm. 78.

Examinar el freno de arrastre núm. 17, el espaciador núm. 103 y los muelles núm. 98 y reemplazarlos si fuese necesario.

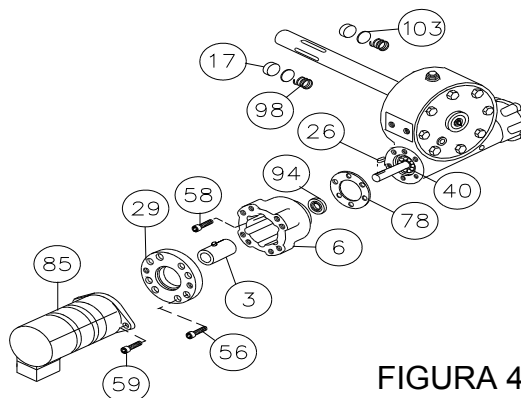


FIGURA 4

#### FIGURA 5

Retirar la caja del freno núm. 20 de la caja de engranajes quitando los seis tornillos de casquete núm. 57. Consultar en la página 79 REPARACIÓN DEL FRENO DE RETENCIÓN ENFRIADO POR ACEITE.

Retirar la chaveta núm. 25 del engranaje del tornillo sinfín. Quitar de la caja de engranajes el engranaje de tornillo sinfín núm. 36 y los cojinetes núm. 40. Emplear un martillo blando para golpear suavemente el extremo de entrada del engranaje de tornillo sinfín y sacar éste último y el cojinete de la caja de engranajes. Una vez retirado el engranaje de tornillo sinfín de la caja de engranajes, se puede presionar el cojinete desde el extremo del engranaje. Comprobar si hay señales de desgaste o daño en el engranaje de tornillo sinfín núm. 36 y en los cojinetes núm. 40. Cambiarlos si fuese necesario.

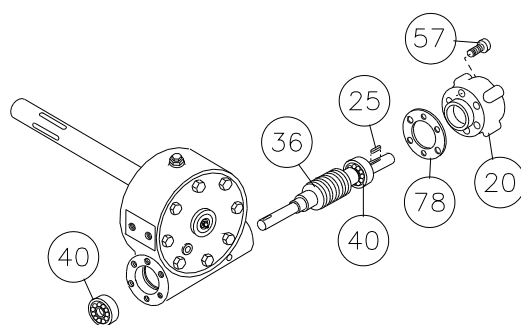


FIGURA 5

#### FIGURA 6

Desatornillar los ocho tornillos de casquete núm. 47 para retirar la tapa núm. 16 de la caja de engranajes núm. 22. Enroscar dos de los tornillos en los agujeros roscados de la tapa y apretarlos. Así se soltará la tapa de la caja de engranajes. Retirar de la caja de engranajes la empaquetadura de la tapa núm. 80 y el eje de tracción núm. 32, con el engranaje núm. 19 y el espaciador núm. 101 acoplados.

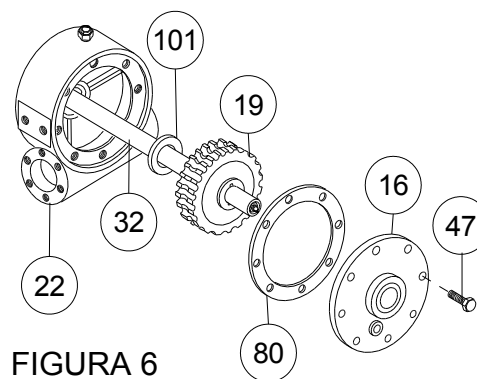


FIGURA 6

#### FIGURA 7

Si fuese necesario, cambiar el engranaje. Comprobar si las conexiones del lubricante núm. 84 y el reductor núm. 87 presentan daños y cambiarlos si fuese necesario.

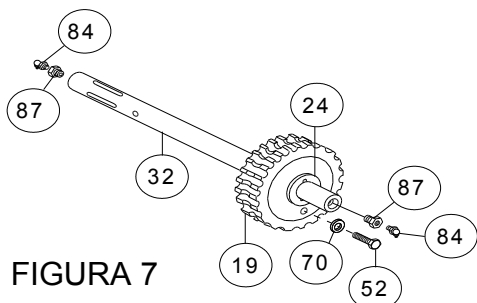


FIGURA 7

### FIGURA 8

Si el eje o el engranaje están dañados, cambiarlos de la siguiente manera:

- a. Meter las chavetas núm. 27 en los chaveteros cortos del eje del tambor núm. 32 golpeándolas ligeramente.
- b. Presionar el eje núm. 32 y las chavetas a través del buje del engranaje núm. 19 hasta que el extremo de las chavetas del extremo largo del eje estén al ras del engranaje.

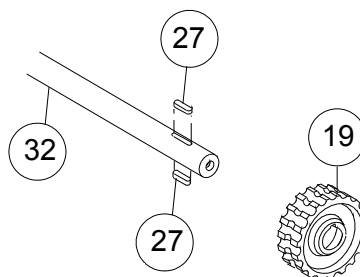


FIGURA 8

### FIGURA 9

Comprobar si el manguito de la caja de engranajes núm. 10 y la junta tórica núm. 86 presentan señales de desgaste. Si es necesario, cambiar el manguito. Para ello, presionar sobre el manguito desgastado para quitarlo de la caja núm. 22. Empujar el nuevo manguito en su sitio e insertar una nueva junta tórica núm. 86 en la ranura dentro del manguito.

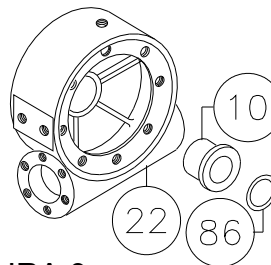


FIGURA 9

### FIGURA 10

Comprobar si los manguitos del tambor núm. 41 y 42 presentan señales de desgaste. Si es necesario, cambiarlos presionando sobre los manguitos desgastados para quitarlos del tambor núm. 18. Empujar el manguito núm. 41 dentro del diámetro interior del tambor hasta que su reborde esté asentado contra el fondo del agujero escariado. Empujar el manguito núm. 42 dentro del diámetro interior opuesto del tambor hasta que el extremo del manguito ocupe 12 mm desde el extremo del tambor.

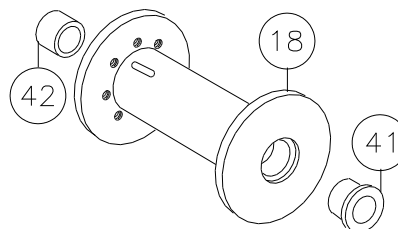


FIGURA 10

### FIGURA 11

Comprobar si el manguito del cojinete núm. 42 presenta señales de desgaste. Si fuese necesario, retirar el manguito desgastado y empujar el nuevo en su sitio.

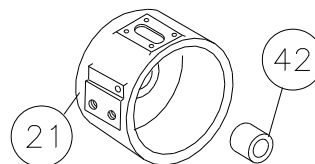


FIGURA 11

### FIGURA 12

Comprobar si el manguito de la tapa núm. 10 y la junta tórica núm. 86 presentan señales de desgaste. Si es necesario, cambiar el manguito. Para ello, presionar sobre el manguito desgastado para quitarlo de la tapa de la caja de engranajes núm. 16. Empujar el nuevo manguito en su sitio e insertar una nueva junta tórica núm. 86 en la ranura dentro del manguito.

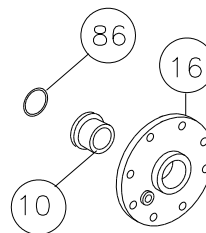


FIGURA 12

### FIGURA 13

Deslizar el espaciador núm. 101 sobre el extremo largo del eje y ponerlo contra el buje del engranaje. Aplicar grasa en el extremo del eje, opuesto al engranaje. Aplicar grasa en el manguito de la caja de engranajes núm. 22. Meter el extremo engrasado del eje a través del manguito de la caja de engranajes núm. 22. Colocar la empaquetadura núm. 80 en la tapa de la caja de engranajes núm. 16. Aplicar grasa en el extremo del eje del engranaje y en el manguito de la tapa. Poner la tapa en el eje y fijarla a la caja con los ocho tornillos de casquete núm. 47. Apretar los tornillos de casquete a 53 Nm cada uno.

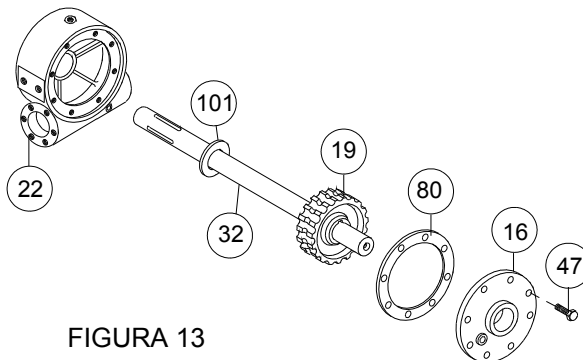


FIGURA 13

### FIGURA 14

Empujar el cojinete núm. 40 en el engranaje de tornillo sinfín núm. 36. **NOTA:** Asegurarse de que la parte gruesa de la cara exterior del cojinete (lado con el nombre del fabricante y número de pieza) mire hacia afuera, alejada de las roscas del engranaje. Empujar el cojinete y el engranaje en la caja de engranajes. Deslizar la empaquetadura núm. 78 sobre la caja del freno núm. 20. Emplear seis tornillos de casquete núm. 57 para fijar la caja del freno a la caja de engranajes. Apretar los tornillos de casquete a 61 Nm cada uno. Meter la chaveta núm. 25 en el chavetero del engranaje de tornillo sinfín núm. 36. Consultar en la página 6 las instrucciones de remontaje y comprobación del freno helicoidal.

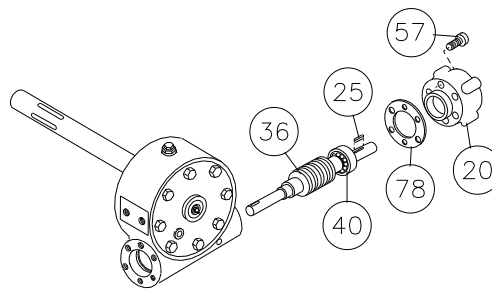


FIGURA 14

### FIGURA 15

Empujar el cojinete núm. 40 en el engranaje de tornillo sinfín y dentro de la caja de engranajes. **NOTA:** Asegurarse de que la parte gruesa de la cara exterior del cojinete (lado con el nombre del fabricante y número de pieza) mire hacia afuera, alejada de las roscas del engranaje. Acoplar el adaptador núm. 6 a la caja de engranajes empleando los seis tornillos de casquete núm. 58. Apretar los tornillos de casquete a 61 Nm cada uno. Insertar la chaveta núm. 26 en el chavetero del eje helicoidal. Deslizar el acoplamiento núm. 3 sobre el extremo del eje helicoidal. Acoplar la placa del adaptador núm. 29 al adaptador empleando los ocho tornillos de casquete núm. 56. Apretar los tornillos de casquete a 28 Nm cada uno. Poner el eje del motor, con la chaveta en el chavetero, dentro del acoplamiento. Fijar el motor núm. 85 al adaptador empleando dos tornillos de casquete núm. 59. Apretar los tornillos de casquete a 138 Nm cada uno.

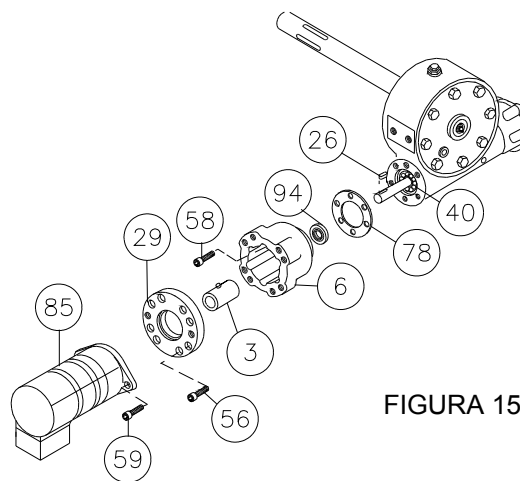


FIGURA 15

### FIGURA 16

Poner el cabestrante con la tapa de la caja de engranajes bajada sobre el banco de trabajo. El eje del tambor debe estar en posición vertical. Fijar los muelles núm. 98 en los receptáculos de la caja de engranajes con los frenos de arrastre núm. 17 sobre la parte superior del disco núm. 103 y de los muelles. Aplicar grasa en los manguitos del eje y del tambor. Deslizar el conjunto del tambor núm. 18 sobre el eje del tambor tal como se indica.

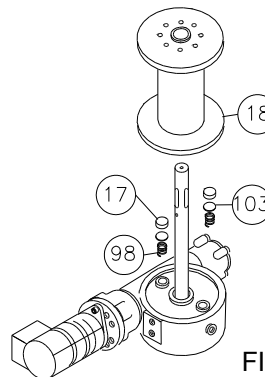


FIGURA 16

### FIGURA 17

Poner el embrague núm. 13 sobre el extremo del eje del tambor. Alinear el embrague sobre el manguito auxiliar del tambor. Instalar los ocho tornillos de casquete núm. 50 y apretarlos a un par torsor de 138 Nm para asentar firmemente el embrague sobre el tambor. Girar el tambor para alinear las ranuras del embrague con los chaveteros del eje. Engrasar ligeramente las cuatro clavijas núm. 90 y las ocho bolas núm. 39. Emplear bisulfuro de molibdeno o una grasa para cojinetes de grafito. Insertar las cuatro clavijas núm. 90 y las ocho bolas núm. 39. En la posición de engranado, las bolas están casi al ras del embrague. Engrasar ligeramente la ranura interna y externa y el diámetro interior del anillo de retención núm. 14 y el embrague núm. 13. Deslizar el anillo de retención sobre el embrague. Cuando está totalmente engranado, el anillo de retención toca el reborde del embrague y hay unos 18 a 18,5 mm entre su extremo y el extremo del embrague.

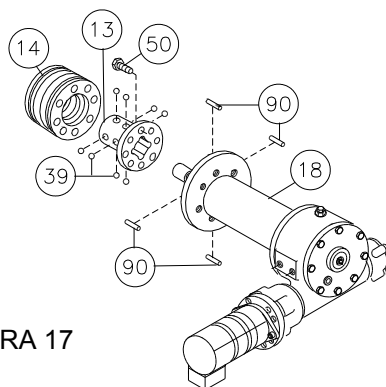


FIGURA 17

### FIGURA 18

Poner cuatro muelles núm. 99 sobre los cuatro pivotes de rodillo en la placa de retención núm. 93. Instalar el espaciador núm. 35 y la placa de retención y fijarla en el embrague empleando cuatro tornillos de casquete núm. 44. Apretar los tornillos de casquete a 13 Nm cada uno. Asentar firmemente el anillo de retención núm. 96 dentro de la ranura del eje del tambor. Fijar el conjunto del cambio de forma que las cabezas de los tornillos se enganchen en la ranura externa del anillo de retención núm. 14. Empujar el cárter del embrague núm. 21 sobre el eje del tambor y enganchar el conjunto del cambio en la posición de engranado "IN". Insertar los dos tornillos de casquete núm. 53.

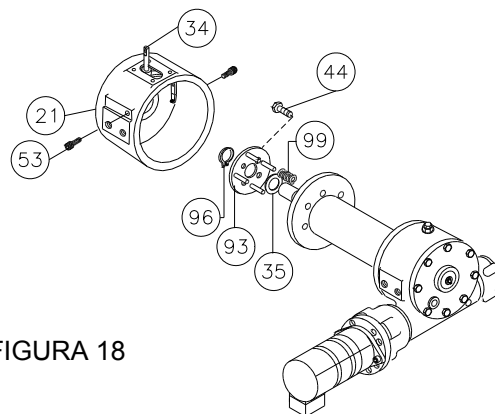


FIGURA 18

### FIGURA 19

Acoplar las escuadras de montaje núm. 7 y 8 al conjunto del cabestrante. Usar tornillos de casquete núm. 55 y 56 y arandelas de seguridad núm. 73. Apretar los tornillos de casquete a 393 Nm cada uno. Insertar el tapón núm. 88 en el agujero de la parte inferior de la caja de engranajes. Retirar los tapones núm. 81 y 87 de la parte superior de la caja. Verter 1,77 litros de aceite E.P. 140 en el agujero y poner los tapones. Fijar el conjunto del cambio neumático, pero no aplicar par antes de realizar el ajuste (consultar la página 9). Acoplar la horquilla núm. 33 al eje del cambio núm. 34 con el pasador de horquilla núm. 76 y el pasador de chaveta núm. 75. Acoplar la cubierta núm. 43.

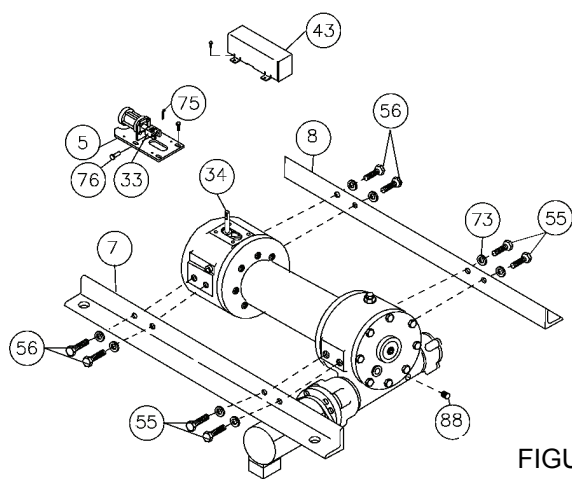
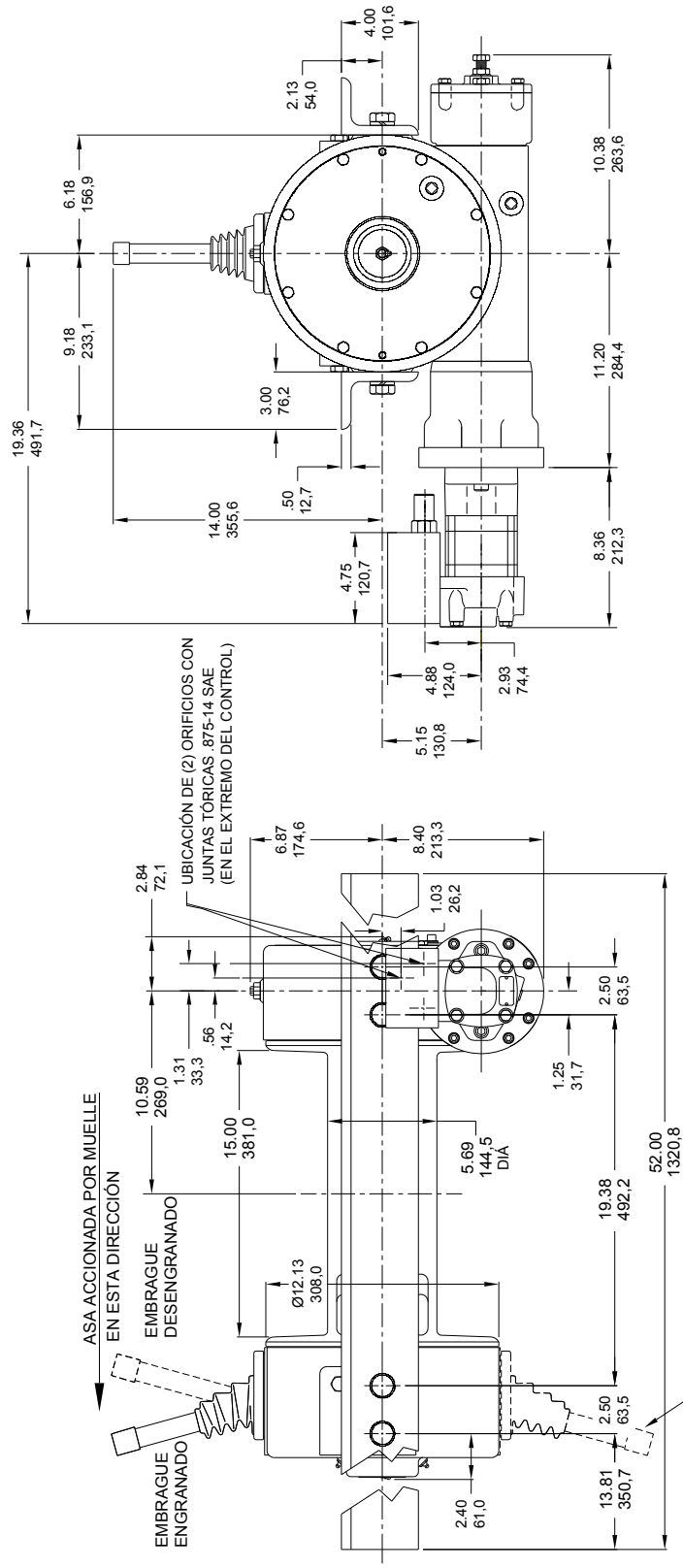


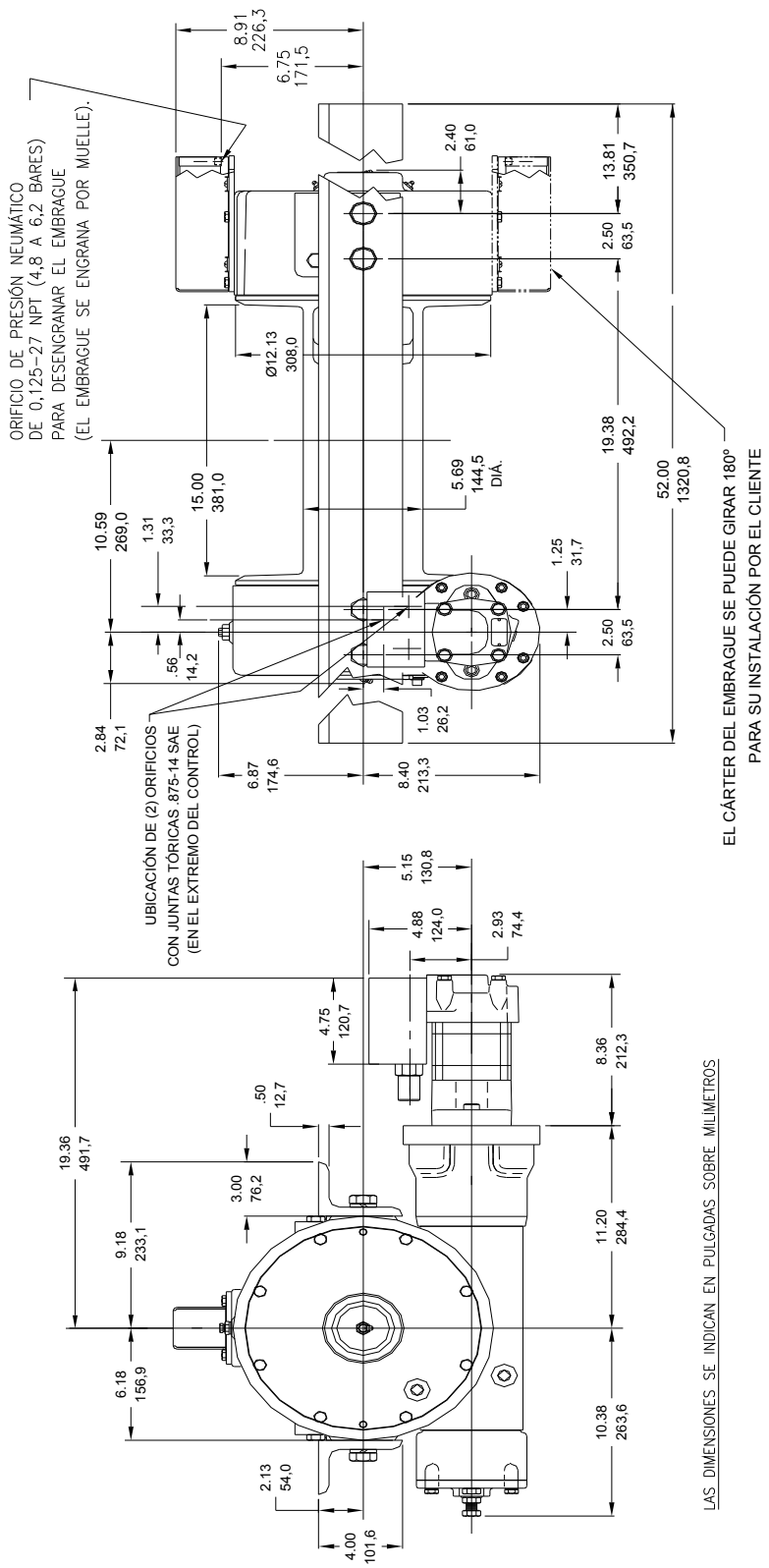
FIGURA 19





LAS DIMENSIONES SE INDICAN EN PULGADAS SOBRE MILIMETROS

# Modelo H-89 Dow-Iok®

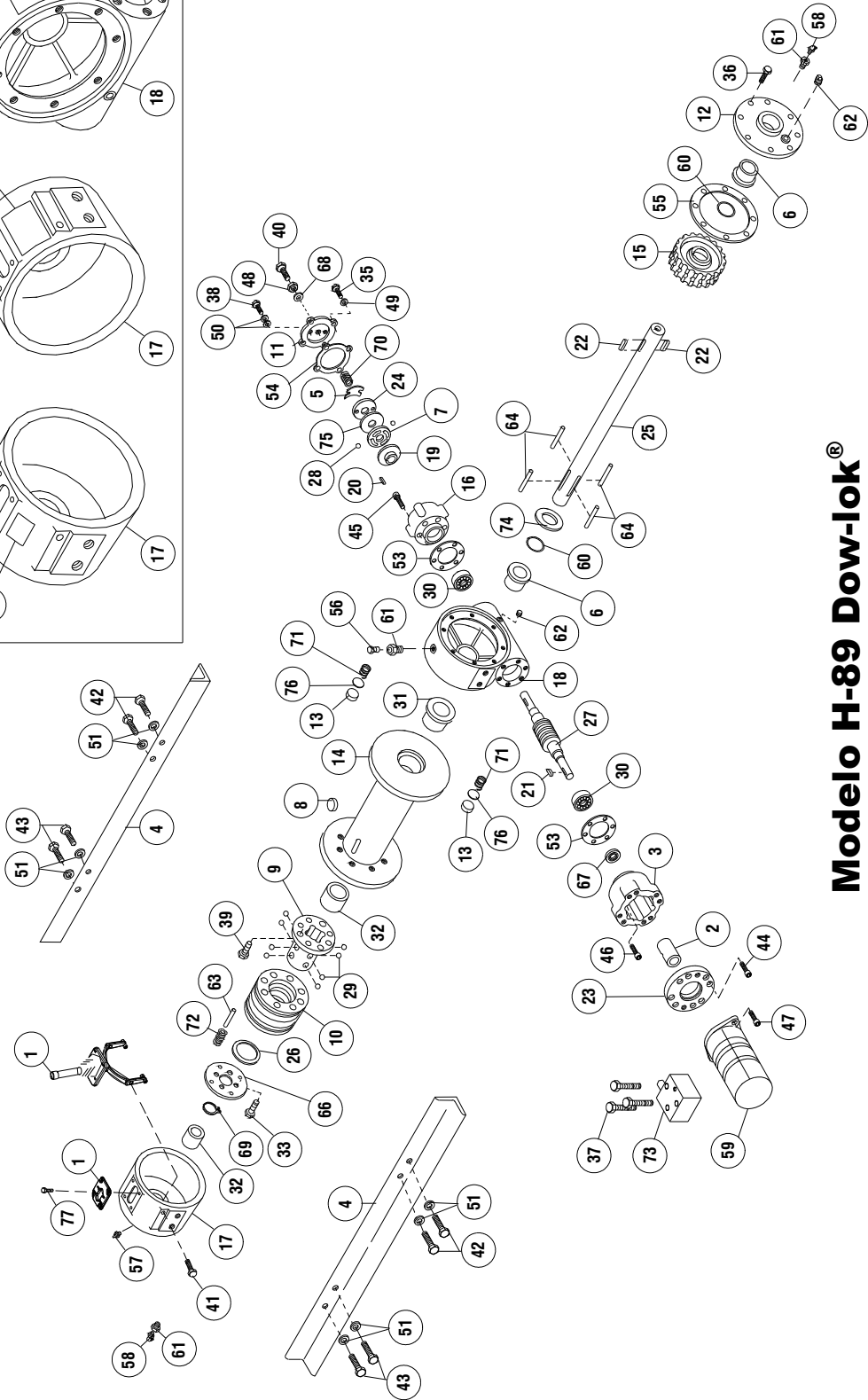
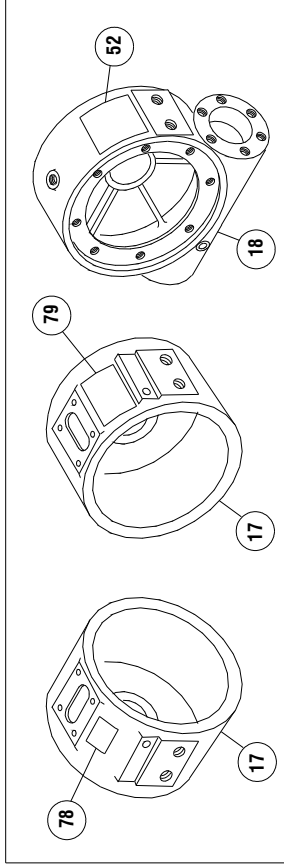


LAS DIMENSIONES SE INDICAN EN PULGADAS SOBRE MILÍMETROS

# Modelo H-89 Dow-lok®

## Cambio neumático

# Posición de las etiquetas

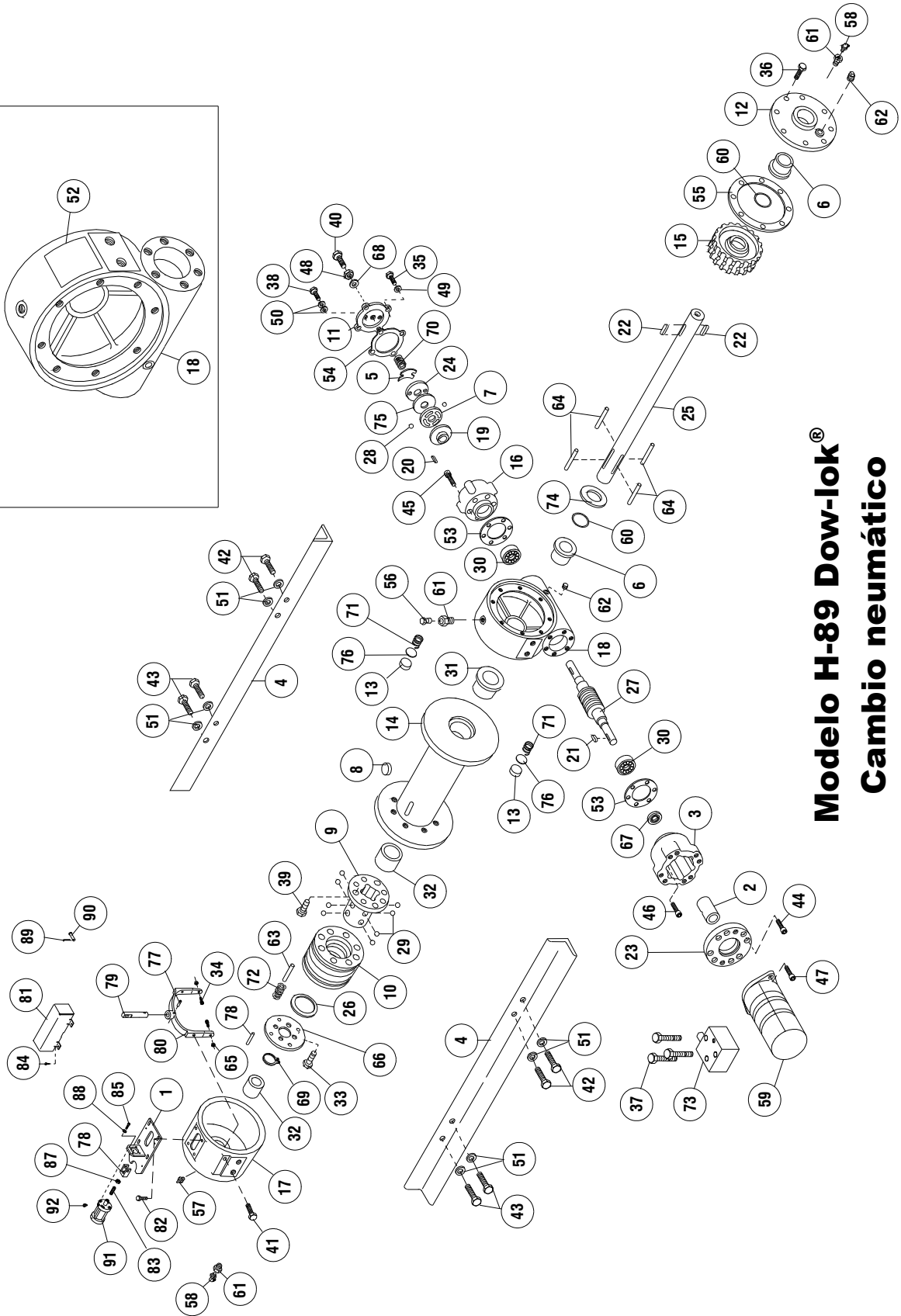
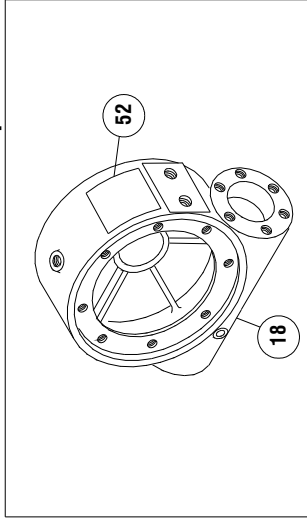


**Modelo H-89 Dow-lok®**

## PARTS LISTA DE PIEZAS DEL MODELO H-89 DOW-LOK® CON CAMBIO

Elem. Núm.	Cant.	Pieza núm.	Descripción	Elem. Núm.	Cant.	Pieza núm.	Descripción
1	1	276033	CONJUNTO DEL CAMBIO MANUAL	41	2	414619	TORNILLO DE CASQUETE 1/2-13NC X 2-1/2 DE LARGO, CABEZA HEXAGONAL, TODO ROSCADO, METALIZADO DE CINCO
2	1	299733	CONJUNTO DE ACOPLAMIENTO	42	4	414751	TORNILLO DE CASQUETE 3/4-10NC X 1-3/4 CLASE ACOPLAMIENTO NYLOK HVY
3	1	300048	ADAPTADOR	43	4	414777	TORNILLO DE CASQUETE 3/4-10NC X 1-3/4 CLASE 5
4	2	302711	ESCUADRA - ESTÁNDAR	44	8	414871	TORNILLO DE CASQUETE 5/16-18NC X 1-1/4 DE LARGO CABEZA HUECA LOK-WEL
5	1	306035	MUELLE PLANO	45	6	414897	TORNILLO DE CASQUETE 3/8-16NC X 1 DE LARGO, CABEZA HUECA
6	2	308083	MANGUITO	46	6	414909	TORNILLO DE CASQUETE 3/8-16NC X 1-3/4 DE LARGO CABEZA HUECA LOK-WEL
7	1	314007	PLATO EXCÉNTRICO	47	2	414950	TORNILLO DE CASQUETE 1/2-13NC X 1-3/4 DE LARGO CABEZA HUECA LOK-WEL
8	1	314010	ANCLAJE DEL CABLE (TAMBOR "ESTÁNDAR" SOLAMENTE)	48	1	418067	CONTRATUERCA HEXAGONAL 1/2-20NF
9	1	324151	EMBRAGUE	49	4	418163	ARANDELA DE SEGURIDAD 5/16 MED SECT METALIZADA
10	1	324318	ANILLO DE RETENCIÓN	50	4	418184	ARANDELA - PLANA 3/8 ALUMINIO
11	1	328027	CUBIERTA - FRENO	51	8	418249	ARANDELA DE SEGURIDAD 3/4 MED SECT
12	1	328122	TAPA - CAJA DE ENGRANAJES	52	1	434583	PLACA DE NOMBRE Y DATOS
13	2	330010	ZAPATA - FRENO DE ARRASTRE	53	2	442192	EMPAQUETADURA
14	1	332167	TAMBOR (ESTÁNDAR)	54	1	442194	EMPAQUETADURA
15	1	334188	ENGRANAJE DERECHO	55	1	442195	EMPAQUETADURA
16	1	338221	CAJA - FRENO	56	1	456008	CONEXIÓN - DE ALIVIO
17	1	338235	CÁRTER - EMBRAGUE	57	1	456031	CONEXIÓN - LUBRICANTE
18	1	338242	CAJA - ENGRANAJE	58	2	456039	CONEXIÓN, LUBRICANTE
19	1	340011	BUJE - FRENO	59	1	458106	MOTOR HIDRÁULICO
20	1	342053	CHAVETA	60	2	462013	ANILLO CUÁDRUPLE
21	1	342092	CHAVETA	61	3	468002	REDUCTOR
22	2	342153	CHAVETA	62	2	468011	TAPÓN MACHO ROSCADO PARA TUBOS
23	1	350535	PLACA - HIDRÁULICA ADAPTADOR	63	4	470042	PIVOTE DE RODILLO
24	1	352021	PLACA - DE RETENCIÓN	64	4	470044	CLAVIJA
25	1	357498	EJE - TAMBOR (ESTÁNDAR)	65	4	470056	PIVOTE DE RODILLO
26	1	362224	ESPACIADOR	66	1	474030	PLACA - DE RETENCIÓN
27	1	368082	ENGRANAJE DE TORNILLO SINFIN DERECHO	67	1	486068	JUNTA DE ACEITE
28	2	400007	BOLA - FRENO	68	1	486076	JUNTA DE ROSCA
29	8	400011	BOLA - EMBRAGUE	69	1	490025	ANILLO DE RETENCIÓN
30	2	402045	COJINETE - BOLA	70	1	494010	MUELLE
31	1	412051	MANGUITO	71	2	494022	DISCO DE MUELLE
32	2	412052	MANGUITO	72	4	494069	MUELLE
33	4	414038	TORNILLO DE CASQUETE 1/4-20NC X 3/4 DE LARGO CABEZA HEXAGONAL CLASE 5	73	1	516059	VÁLVULA - DE CONTRAPESO
34	4	414069	TORNILLO DE CASQUETE 5/16-18NC X 3/4 DE LARGO CABEZA HEXAGONAL	74	1	518016	ARANDELA DE EMPUJE
35	4	414111	TORNILLO DE CASQUETE 5/16-18NC X 1 CABEZA HEXAGONAL, CLASE 5	75	1	530007	DISCO DEL FRENO
36	8	414277	TORNILLO DE CASQUETE 3/8-16NC X 1 DE LARGO CABEZA HEXAGONAL CLASE 5 NYLOK HVY P	76	2	530094	ESPACIADOR DEL FRENO
37	3	414305	TORNILLO DE CASQUETE 3/8-16NCX3/4, CABEZA HEXAGONAL, METALIZADO DE CINCO, CLASE 5	77	4	414126	TORNILLO DE CASQUETE 5/16-18NC X 3/4 DE LARGO CABEZA HEXAGONAL
38	2	414399	TORNILLO DE CASQUETE 3/8-24NF X 1-1/4 DE LARGO TODO ROSCADO CLASE 5	78	1	434173	PLACA - ENGRANADO/DENGRANADO DEL EMBRAGUE
39	8	414571	TORNILLO DE CASQUETE 1/2-20NF X 1, CABEZA HEXAGONAL, CLASE 5	79	1	434174	PLACA-FUNCIONAMIENTO DEL EMBRAGUE
40	1	414603	TORNILLO DE CASQUETE 1/2-20NF X 1-3/4 DE LARGO TODO ROSCADO CLASE 5				

Posición de las etiquetas



**Modelo H-89 Dow-lok®**  
**Cambio neumático**

# LISTA DE PIEZAS DEL MODELO H-89 DOW-LOK® CON CAMBIO NEUMÁTICO

Elem. Núm.	Cant.	Pieza núm.	Descripción	Elem. Núm.	Cant.	Pieza núm.	Descripción
1	1	299695	CONJUNTO DE SOPORTE DE CAMBIO NEUMÁTICO	48	1	418067	CONTRATUERCA HEXAGONAL 1/2-20NF
2	1	299733	CONJUNTO DE ACOPLAMIENTO	49	4	418163	ARANDELA DE SEGURIDAD 5/16 MED SECT METALIZADA
3	1	300048	ADAPTADOR	50	4	418184	ARANDELA - PLANA 3/8 ALUMINIO
4	2	302711	ESCUADRA - ESTÁNDAR	51	8	418249	ARANDELA DE SEGURIDAD 3/4 MED SECT
5	1	306035	MUELLE PLANO	52	1	434583	PLACA DE NOMBRE Y DATOS
6	2	308083	MANGUITO	53	2	442192	EMPAQUETADURA
7	1	314007	PLATO EXCÉNTRICO	54	1	442194	EMPAQUETADURA
8	1	314010	ANCLAJE DEL CABLE (TAMBOR "ESTÁNDAR" SOLAMENTE)	55	1	442195	EMPAQUETADURA
9	1	324151	EMBRAGUE	56	1	456008	CONEXIÓN - DE ALIVIO
10	1	324318	ANILLO DE RETENCIÓN	57	1	456031	CONEXIÓN - LUBRICANTE
11	1	328027	CUBIERTA - FRENO	58	2	456039	CONEXIÓN - LUBRICANTE
12	1	328122	TAPA - CAJA DE ENGRANAJES	59	1	458106	MOTOR HIDRÁULICO
13	2	330010	ZAPATA - FRENO DE ARRASTRE	60	2	462013	ANILLO CUADRUPLE
14	1	332167	TAMBOR (ESTÁNDAR)	61	3	468002	REDUCTOR
15	1	334188	ENGRANAJE DERECHO	62	2	468011	TAPÓN MACHO ROSCADO PARA TUBOS
16	1	338221	CAJA - FRENO	63	4	470042	PIVOTE DE RODILLO
17	1	338235	CÁRTER - EMBRAGUE	64	4	470044	CLAVIJA
18	1	338242	CAJA - ENGRANAJE	65	4	470056	PIVOTE DE RODILLO
19	1	340011	BUJE - FRENO	66	1	474030	PLACA - DE RETENCIÓN
20	1	342053	CHAVETA	67	1	486068	JUNTA DE ACEITE
21	1	342092	CHAVETA	68	1	486076	JUNTA DE ROSCA
22	2	342153	CHAVETA	69	1	490025	ANILLO DE RETENCIÓN
23	1	350535	PLACA - HIDRÁULICA ADAPTADOR	70	1	494010	MUELLE
24	1	352021	PLACA - DE RETENCIÓN	71	2	494022	DISCO DE MUELLE
25	1	357498	EJE - TAMBOR (ESTÁNDAR)	72	4	494069	MUELLE
26	1	362224	ESPACIADOR	73	1	516059	VÁLVULA - CONTRABALANZA
27	1	368082	ENGRANAJE DE TORNILLO SINFIN DERECHO	74	1	518016	ARANDELA DE EMPUJE
28	2	400007	BOLA - FRENO	75	1	530007	DISCO DEL FRENO
29	8	400011	BOLA - EMBRAGUE	76	2	530094	ESPACIADOR DEL FRENO
30	2	402045	COJINETE - BOLA	77	1	470045	PIVOTE DE RODILLO
31	1	412051	MANGUITO	78	1	358067	HORQUILLA
32	2	412052	MANGUITO	79	1	358069	EJE DEL CAMBIO
33	4	414038	TORNILLO DE CASQUETE 1/4-20NC X 3/4 DE LARGO CABEZA HEXAGONAL CLASE 5	80	1	370047	BALANCÍN
34	4	414069	TORNILLO DE CASQUETE 5/16-18NC X 3/4 DE LARGO CABEZA HEXAGONAL	81	1	413074	CUBIERTA - EJE NEUMÁTICO
35	4	414111	TORNILLO DE CASQUETE 1/2-20NF X 1-3/4 DE LARGO CABEZA HEXAGONAL, CLASE 5	82	4	414126	TORNILLO DE CASQUETE 5/16-18NC X 3/4 DE LARGO CABEZA HEXAGONAL
36	8	414277	TORNILLO DE CASQUETE 3/8-16NC X 1 DE LARGO CABEZA HEXAGONAL CLASE 5	83	1	416061	TORNILLO FIJADOR 3/8-24NF X 1-1/4 DE LARGO
37	3	414305	ACOPL. NYLOK HVY	84	4	416214	TORNILLO - N° 10-32NF X 1/4 DE LARGO, CABEZA REDONDEADA, METALIZADO DE CINC
38	2	414399	TORNILLO DE CASQUETE 3/8-16NCX3 1/4, CABEZA HEXAGONAL, METALIZADO DE CINC, CLASE 5	85	4	416262	TORNILLO - N° 10-32NF X 3/4 DE LARGO, HEXAGONAL, HUECO, METALIZADO DE CINC
39	8	414571	TORNILLO DE CASQUETE 1/2-20NF X 1-1/4 DE LARGO TODO ROSCADO CLASE 5	86	2	418035	TUERCA 3/8-16NC, HEXAGONAL, REG, METALIZADA DE CINC
40	1	414603	TORNILLO DE CASQUETE 1/2-20NF X 1-3/4 DE LARGO TODO ROSCADO CLASE 5	87	1	418041	CONTRATUERCA HEXAGONAL 3/8-24NF
41	2	414619	TORNILLO DE CASQUETE 1/2-13NC X 2-1/2 DE LARGO, CABEZA HEXAGONAL, TODO ROSCADO, METALIZADO DE CINC	88	4	418141	ARANDELA DE SEGURIDAD N° 10 MED SECT, METALIZADO DE ZINC
42	4	414751	TORNILLO DE CASQUETE 3/4-10NC X 1-3/4 pulg. Clase 5 ACOPLAMIENTO NYLOK HVY	89	1	424005	PASADOR DE CHAVETA
43	4	414777	TORNILLO DE CASQUETE 3/4-10NC X 1-3/4 CLASE 5	90	1	424029	PASADOR DE HORQUILLA
44	8	414871	TORNILLO DE CASQUETE 5/16-18NC X 1-1/4 DE LARGO CABEZA HUECA LOK-WEL	91	1	433016	CILINDRO DE AIRE
45	6	414897	TORNILLO DE CASQUETE 3/8-16NC X 1 DE LARGO, CABEZA HUECA	92	1	456038	AGUJERO DE VENTILACIÓN
46	6	414909	TORNILLO DE CASQUETE 3/8-16NC X 1-3/4 DE LARGO CABEZA HUECA LOK-WEL				
47	2	414950	TORNILLO DE CASQUETE 1/2-13NC X 1-3/4 DE LARGO CABEZA HUECA LOK-WEL				