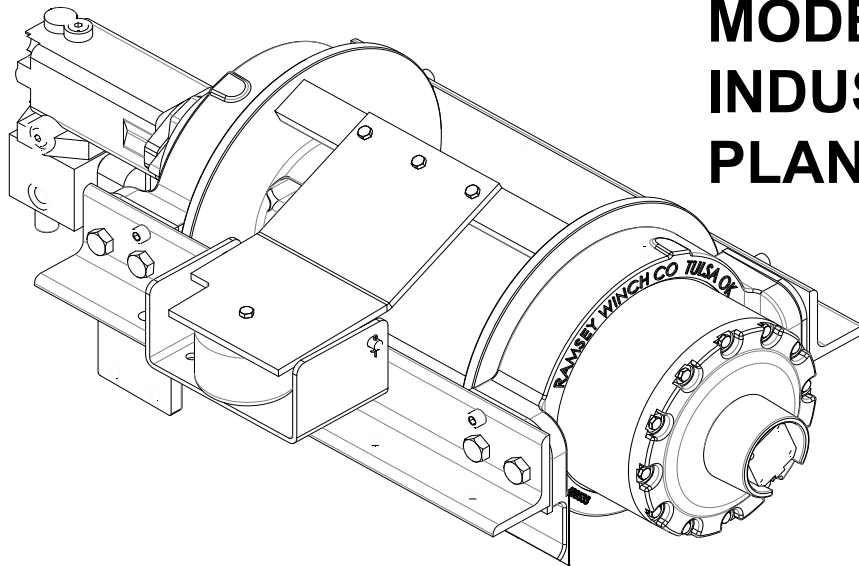




**OPERATING, SERVICE  
AND  
MAINTENANCE MANUAL**

English (Original Instructions) ..... 1  
Français (Traduction des instructions originales) .. 18  
Deutsch (Übersetzung der Originalanleitung) ..... 38  
Español(Traducción de las instrucciones originales) 58



**MODEL RPH 111,2  
INDUSTRIAL  
PLANETARY WINCH**

**Intended Purpose: Vehicle recovery and pulling of loads**



**CAUTION:** *READ AND UNDERSTAND THIS MANUAL BEFORE INSTALLATION AND OPERATION OF WINCH. SEE WARNINGS!*

**RAMSEY WINCH COMPANY**  
P. O. Box 581510 - Tulsa OK 74158-1510 USA  
Phone: (918) 438-2760 Fax: (918) 438-6688  
Visit us at <http://www.ramsey.com>

**Ramsey Authorized Representative in the Community:**

(Please contact for regulatory inquiries only. )

Alura Group BV  
P.O. Box 18626  
2502 EP The Hague  
The Netherlands  
Tel: (31) (0) 70 362-4896  
Fax: (31) (0) 70 346-7299

OM 914253-B



4707 N. Mingo Tulsa, Oklahoma 74117

(918) 438-2760

**EC DECLARATION OF CONFORMITY**

as defined by Machinery Directive 2006/42/EC

Here with we declare that winch model RPH 111,2 complies with the following directive provided that the USER complies with all responsibilities described in the Owner's Manual:

2006/42/EC

Applied harmonized standards:

EN 14492-1:2006

Power-Driven Winches

ISO 9001:2000

Quality Management Systems

Requirements

**DÉCLARATION DE CONFORMITÉ EC**

aux termes de la directive Machines 2006/42/EC

Nous déclarons par la présente que le modèle de treuil RPH 111,2 est conforme à la directive suivante, sous réserve que l'UTILISATEUR ait assumé toutes les responsabilités figurant dans le manuel de l'utilisateur :

2006/42/EC

Normes harmonisées appliquées :

EN 14492-1:2006

Treuil motorisés

ISO 9001:2000

Systèmes de gestion de la qualité - Exigences

**EC-KONFORMITÄTSEKLRÄRUNG**

gemäß Maschinenrichtlinie 2006/42/EC

Hiermit erklären wir, dass das Windenmodell RPH 111,2 der folgenden Richtlinie entspricht, sofern der BENUTZER alle Anweisungen im Benutzerhandbuch befolgt:

2006/42/EC

Angewandte harmonisierte Normen:

EN 14492-1:2006

Kraftgetriebene Winden

ISO 9001:2000 Qualitätsmanagementsysteme -

Anforderungen

**DECLARACIÓN EC DE CONFORMIDAD**

según se define en la directiva de máquinas 2006/42/EC

Con la presente declaramos que el modelo de cabestrante RPH 111,2 se halla en conformidad con la siguiente directiva siempre que el USUARIO cumpla todas las responsabilidades descritas en el Manual del propietario:

2006/42/EC

Normas armonizadas aplicadas:

EN 14492-1:2006

Cabestrantes accionados mecánicamente

ISO 9001:2000

Requisitos de los Sistema de gestión de la calidad

Ramsey Authorized Representative in the Community / Ramsey Représentant autorisé dans la comuauté / Ramsey Bevollmächtigter in der Europäischen Union / Ramsey Representante autorizado en la comunidad.

(Please contact for regulatory inquiries only. / Veuillez prendre contact uniquement pour des questions réglementaires.)  
(Bitte nur bei Regulierungsfragen kontaktieren. / Póngase en contacto sólo por cuestiones de reglamentación.)

Alura Group BV  
P.O. Box 18626  
2502 EP The Hague  
The Netherlands  
Tel: (31) (0) 70 362-4896  
Fax: (31) (0) 70 346-7299

Serial Number / Numéro de série/ Seriennummer/ Número de Serie: \_\_\_\_\_

Signature / Signature / Unterschrift / Firma:

Todd Brady

Engineering Manager / Directeur technique/ Technischer Leiter/ Director de ingeniería

Date / Date / Datum / Fecha:

11-03-11

## TABLE OF CONTENTS

SPECIFICATIONS .....	1
WARNINGS .....	1
USER'S RESPONSIBILITY FOR CE COMPLIANCE .....	1
HYDRAULIC SYSTEM REQUIREMENTS .....	2
PERFORMANCE CHARTS .....	2
CLUTCH OPERATION .....	3
WINCH FRAME MOUNTING .....	3
ROPE INSTALLATION .....	3
WINCH OPERATION .....	3
MAINTENANCE .....	4
END OF SERVICE MEASURES .....	4
TROUBLE SHOOTING GUIDE .....	4
INSTRUCTIONS FOR OVERHAUL .....	5-12
MOUNTING CONFIGURATIONS .....	12
DIMENSIONAL DRAWINGS .....	13-14
PARTS LIST AND PART DRAWING .....	15-16
ROPE TENSIONER OVERHAUL AND INSTALLATION .....	17
ROPE TENSIONER PARTS LIST AND PARTS DRAWING .....	18
CE DECLARATION OF CONFORMITY .....	19

## SPECIFICATIONS\*

First Layer Line Pull.....	111,2 kN (25000 lb)				
Noise Level.....	76 db				
Ambient Temperature Range.....	-28C to 60C (-20 to 140F)				
Gear Reduction.....	31.89:1				
Weight (without rope).....	261kg (575 lb)				
<b>LAYER OF ROPE</b>	<b>1</b>	<b>2</b>	<b>3</b>	<b>4</b>	
Line pull per layer	kN	111,2	95,2	83,6	74,2
	lb	25,000	21,400	18,800	16,700

* Rope Capacity per Layer	m	13	30	50	73
	ft	45	100	165	240
* Line Speed at 56,7 LPM (15 GPM)	MPM	5,5	6,3	7,2	8,5
	FPM	18	21	24	28
* These specifications are based on recommended 16 mm (.63")Bridon Dyform 34LR/PI/Max 1960 grade wire rope or equivalent with minimum breaking strength of 222,4kN (50,000 lb) and a 157 cc (9.6 cu in) /Rev. motor.					

NOTE: RATINGS LISTED ABOVE ARE DYNAMIC LOADS BASED ON 3,000 PSI WORKING PRESSURE. FIRST LAYER STATIC RATING IS 24 000 LB BASED ON 3,000 PSI WORKING PRESSURE.

### WARNINGS:

**THE USER SHALL ENSURE THAT THE OPERATING PERSONNEL ARE GIVEN THE NECESSARY TRAINING.**

**THE OPERATOR SHALL ALWAYS WORK IN COMPLIANCE WITH THE OPERATING INSTRUCTIONS.**

**A MOTOR SPOOL (OPEN CENTER) DIRECTIONAL CONTROL VALVE IS REQUIRED FOR BRAKE OPERATION.**

**CLUTCH MUST BE FULLY ENGAGED BEFORE STARTING THE WINCH.**

**DO NOT DISENGAGE CLUTCH UNDER LOAD.**

**STAY OUT FROM UNDER AND AWAY FROM RAISED LOADS.**

**STAND CLEAR OF ROPE WHILE PULLING. DO NOT TRY TO GUIDE ROPE.**

**DO NOT USE WINCH TO LIFT, SUPPORT, OR OTHERWISE TRANSPORT PERSONNEL.**

**A MINIMUM OF 2 WRAPS OF ROPE AROUND THE DRUM BARREL IS NECESSARY TO HOLD THE LOAD.**

**AVOID CONDITIONS WHERE LOAD SHIFTS OR JERKS OCCUR. EXCESSIVE "INCHING" SHALL BE AVOIDED.**

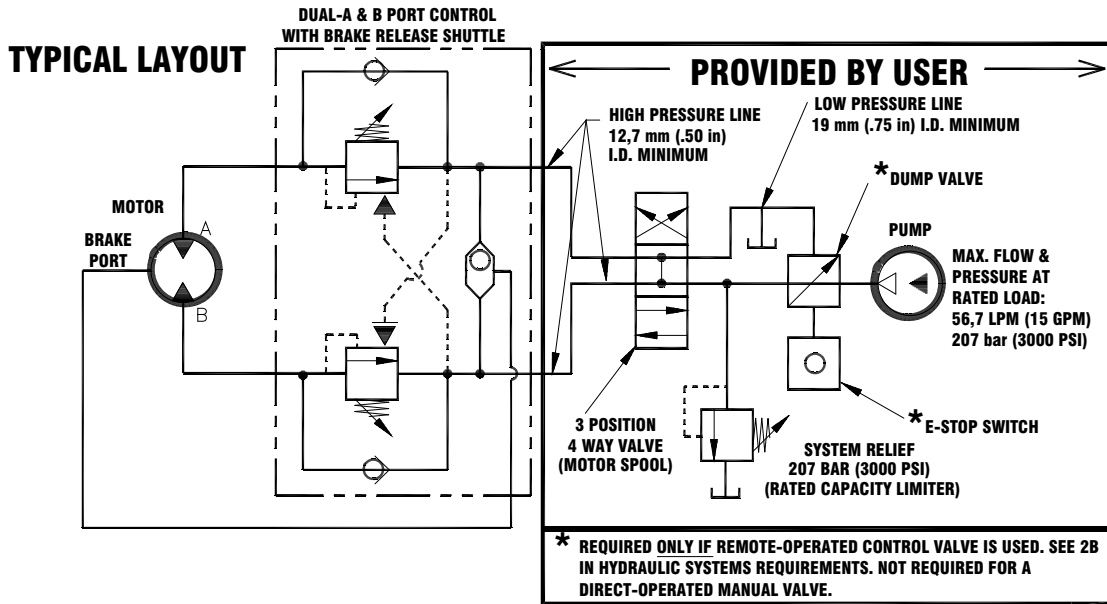
### USER'S RESPONSIBILITY FOR CE COMPLIANCE

1. Use only a motor spool (open center) control valve Per Hydraulic System Requirements.
2. If a remote-operated winch control valve is used, refer to Hydraulic System Requirements for Emergency Stop components to be installed.
3. Adjust system relief pressure per Hydraulic System Requirements
4. Mount winch per Winch Mounting Instructions.
5. Install 16 mm (.63 inch), Bridon DyForm 34LR/PI/Max 1960 grade wire rope or equivalent with minimum breaking strength of 222,4 KN (50,000 lb).wire rope. Maximum rope length of 73 M (240 ft) for four layers maximum. Attach rope to the drum per Rope Installation Instructions. Hook must have a safety latch and a minimum breaking strength of 278 kN.

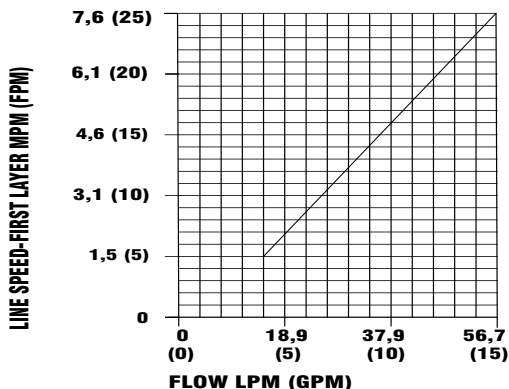
Refer to the performance charts below to properly match your hydraulic system to the winch performance. The charts consist of: (1) Line Pull first layer kN (lb) vs. Working Pressure bar (PSI). (2) Line Speed, first layer MPM (FPM) vs. flow LPM (GPM).

### HYDRAULIC SYSTEM REQUIREMENTS

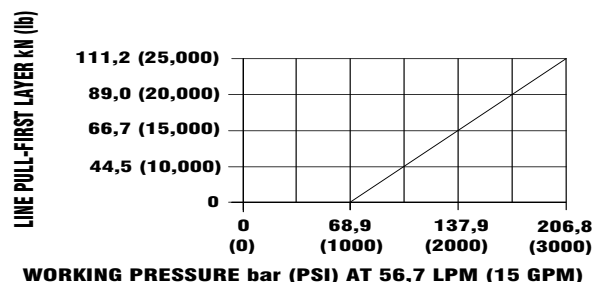
1. Motor spool (open center) control valve
2. Emergency Stop:
  - A. If winch is controlled by a direct-operated manual valve, that valve serves as the E-stop.
  - B. If a remote operated control valve is used, a solenoid-operated hydraulic dump valve, normally open to tank, and an emergency stop switch (to open the dump valve) is required. The E-stop switch is to be normally closed and have a red, resettable push button actuator with a yellow background. The E-stop switch must be easily accessible to the operator.
3. Relief valve set to 207 bar (3000 psi) which is the rated capacity limiter.
4. Flow rate of 56,7 LPM (15 GPM) maximum. Do not exceed 75,7 LPM (20 GPM) or motor and winch may be damaged.
5. Hydraulic fluid with a viscosity between 20-43 cSt (100-200 SUS). Maximum operating temperature 85C (180F). Cleanliness level of ISO 17-14 or better.



### PERFORMANCE CHARTS



**BASED ON 157 cc (9.6 cu in) MOTOR**



**WORKING PRESSURE bar (PSI) AT 56,7 LPM (15 GPM)**

## WINCH FRAME MOUNTING

Use (8) 5/8 inch diameter grade 5 or better bolts to attach mounting frame to wrecker.

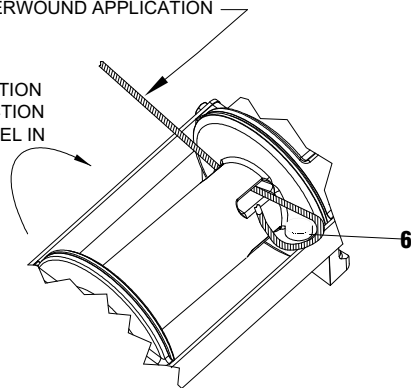
## ROPE INSTALLATION

The RPH 111,2 winch has two tapered pockets cast into the drum. One pocket is for installations with the wire rope wound over the drum. The other pocket is for an underwound wire rope.

1. Unwind rope by rolling it out along the ground to prevent kinking. Securely wrap end of wire rope, opposite hook, with plastic or similar tape to prevent fraying.
2. Slide the wire rope through narrow end of the pocket against the drum flange and wrap the wire rope around the anchor "puck" and pull the wire rope and anchor back into the wide end of the pocket. Use a soft hammer to drive the back side of the wire rope, firmly seating the wire rope and anchor, into the pocket.
3. Carefully run winch in the "reel-in" direction. Keeping tension on end of rope, spool all the rope onto the rope drum, taking care to form neatly wrapped layers.

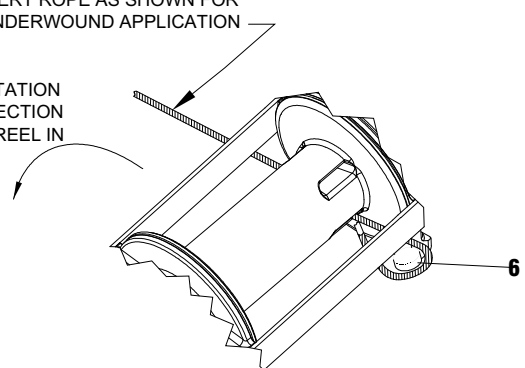
INSERT ROPE AS SHOWN FOR  
OVERWOUND APPLICATION

ROTATION  
DIRECTION  
TO REEL IN



INSERT ROPE AS SHOWN FOR  
UNDERWOUND APPLICATION

ROTATION  
DIRECTION  
TO REEL IN



## CLUTCH OPERATION

### To engage clutch:

1. Move the clutch control valve to the "clutch-engaged" position.
2. Anytime the temperature is below freezing, run motor in the "rope out" direction only until the drum starts to turn.
  - 2a. In extreme cold temperatures (below  $-18^{\circ}\text{C}$  /  $0^{\circ}\text{F}$ ), pull out on the rope by hand only until the drum starts to turn.
3. Wait at least 3 seconds for the clutch to fully engage, after which the winch is ready to winch in the rope.

**WARNING:** Do not attempt to engage the clutch by first running the winch motor and then moving the clutch control valve to the "clutch-engaged" position while the motor is running. Do not start picking up the load at the same time the clutch is being engaged.

### To disengage clutch:

1. Run the winch in the "rope out" direction until the load is off the rope.
2. Move the clutch control valve to the "clutch-disengaged" position.
3. The rope may now be pulled off by hand.

## WINCH OPERATION

The best way to get acquainted with how your winch operates is to make test runs before you actually use it. Plan your test in advance. Remember, you hear your winch, as well as see it operate. Get to recognize the sounds of a light steady pull, a heavy pull, and sounds caused by load jerking or shifting. Gain confidence in operating your winch and its use will become second nature with you.

The uneven spooling of rope, while pulling a load, is not a problem, unless there is a rope pileup on one end of drum. If this happens reverse the winch to relieve the load and move your anchor point further to the center of the vehicle. After the job is done you can unspool and rewind for a neat lay of the rope.

## **MAINTENANCE**

Adhering to the following maintenance schedule will keep your winch in top condition and performing as it should with a minimum of repair.

### **A. WEEKLY**

1. Check the oil level and maintain it to the oil level plug. If oil is leaking out, determine location and repair.
2. Check the pressure relief plug in top of the gear housing. Be sure that it is not plugged.
3. Lubricate rope with light oil.

### **B. MONTHLY**

1. Check the winch mounting bolts. If any are missing, replace them and securely tighten any that are loose. Use grade 5 or better bolts.
2. Inspect the rope. If the rope has become frayed with broken strands, replace immediately.

### **C. ANNUALLY**

1. Drain the oil from the winch annually or more often if winch is used frequently.
2. Fill the winch to the oil level plug with clean kerosene. Run the winch a few seconds with no load in the reel in direction. Drain the kerosene from the winch.
3. Refill the winch to the oil level plug with all purpose SAE 80W-140 gear oil.
4. Inspect frame and surrounding structure for cracks or deformation.

## **END OF SERVICE MEASURES**

When winch reaches the end of it's servicable life, dispose of per local environmental regulations.

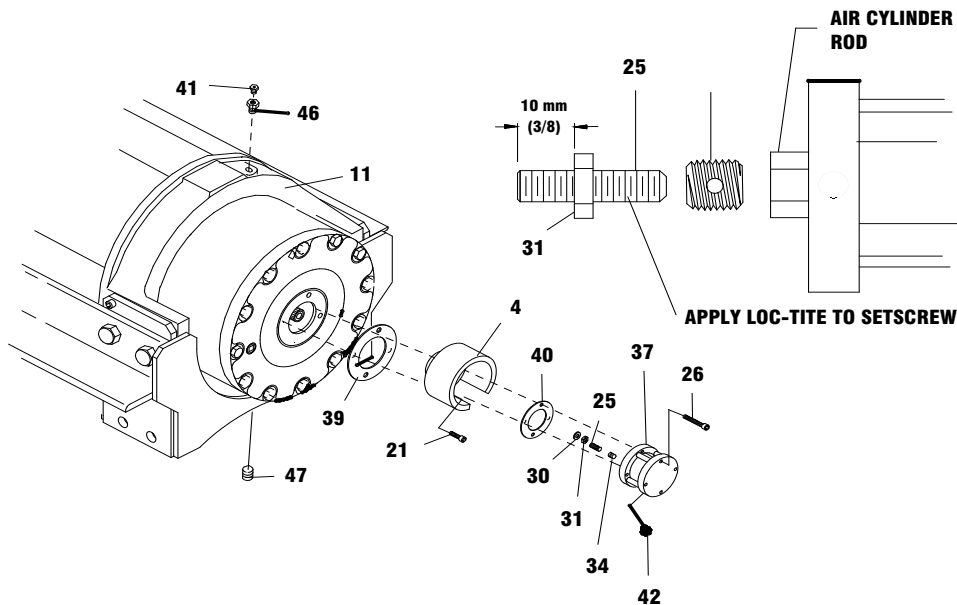
## **TROUBLE SHOOTING GUIDE**

CONDITIONS	POSSIBLE CAUSE	CORRECTION
OIL LEAKS FROM WINCH	1. Seals damaged or worn.	1. Replace seal.
	2. Too much oil.	2. Drain excess oil. Refer to OPERATION.
	3. Damaged gasket.	3. Replace gasket.
WINCH RUNS TOO SLOW HYDRAULIC SYSTEMS	1. Low flow rate	1. Check flow rate.Refer to flow flow chart page 2.
	2. Hydraulic motor worn out.	2. Replace motor.
ROPE DRUM WILL NOT FREESPOOL	1. Clutch not disengaged	1. Check air pressure to clutch cylinder 6,2 bar (90 PSI) mini mum required-Refer to page
	2. If equipped with air tensioner, too much force on tensioner bar.	2. Reduce air pressure to tensioner actuators.
BRAKE WILL NOT RELEASE	1. Air in hydraulic system	1. Bleed air from brake. Refer to page 2.

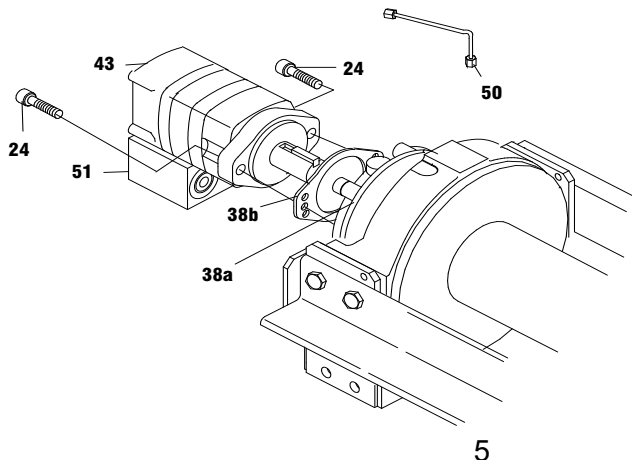
## INSTRUCTIONS FOR OVERHAUL

1. Drain oil from gear housing item #11 by removing plug item #47 from end bearing. Remove reducer and relief fitting items #41 & #46.

If new air cylinder is required, remove air cylinder item #37 from adapter item #4 by removing (4) capscrews item #26. Remove breather vent item #42. Remove washer item #30, nut and setscrew items #31 & #25 and insert item #34 from end of air cylinder rod. Apply Loc-tite to threads of nut item #31 and thread onto setscrew item #25 to 10 mm (3/8 inch) from drive end, as shown below. Apply Loc-tite to threads of setscrew and thread insert item #34 over end of setscrew and against nut. Use setscrew and nut to thread insert item #34 into end of air cylinder rod. Tighten nut against cylinder rod, keeping 10 mm (3/8 inch) distance from drive end of setscrew to nut. Be sure breather vent item #42, and relief fitting item #41 are not damaged and in good operating condition. Remove and replace if necessary. Remove air cylinder adapter item #4 and gasket item #40 from gear housing cover by unscrewing (4) capscrews item #21.

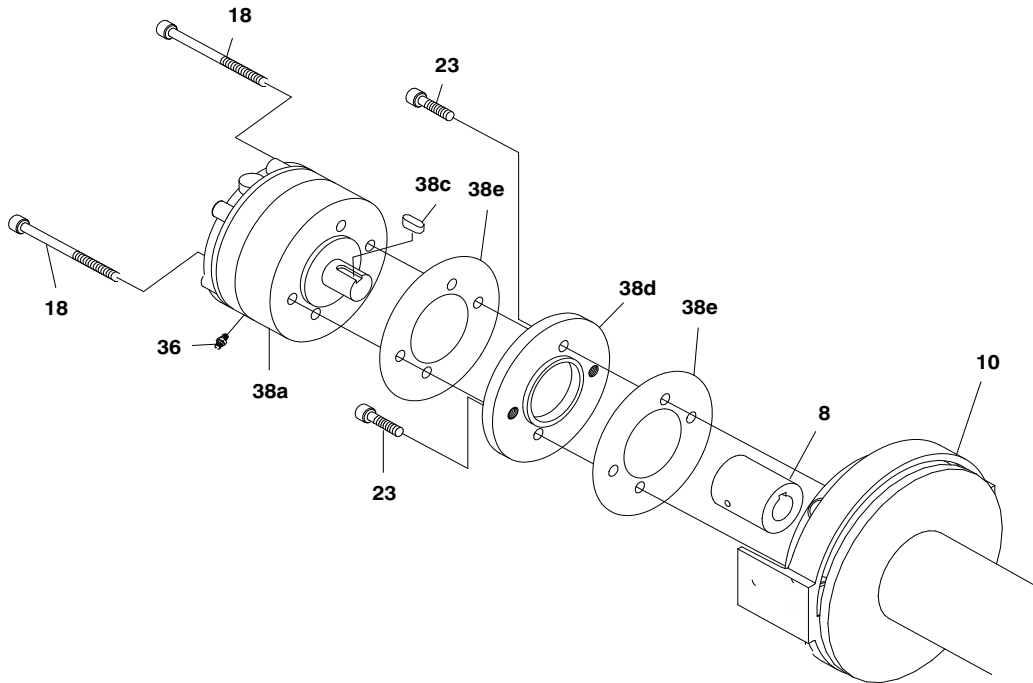


2. Disconnect tube item #50 from elbow item #35 and fitting item #36 on bottom of brake item #38. Remove motor item #43 and gasket item #38b by removing (2) capscrews item #24. Remove valve item #51, if needed, from motor by loosening (3) capscrews item #22 (not shown).

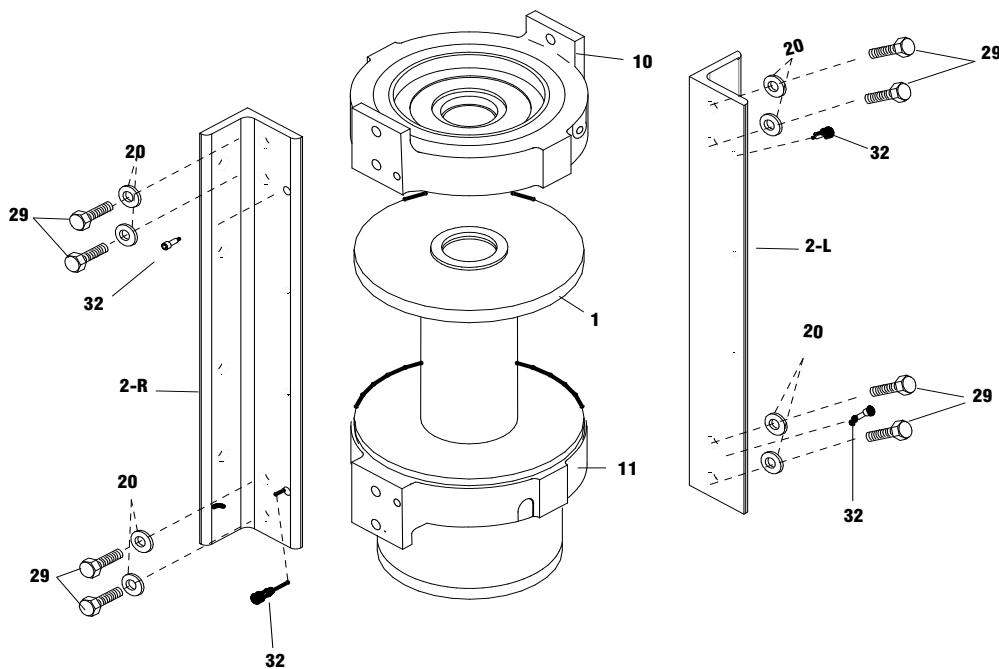




- Remove brake assembly screws item #18 from brake #38a to access (2) mounting screws item #23 attaching brake adapter plate #38d to end bearing item #10. **CAUTION: Brake is spring loaded by clutch spring and must be restrained against end bearing as mounting screws item #23 are removed.** Remove coupling item #8 and gasket item #38e from end bearing. Take note of mounting configuration for proper mounting of parts during re-assembly.



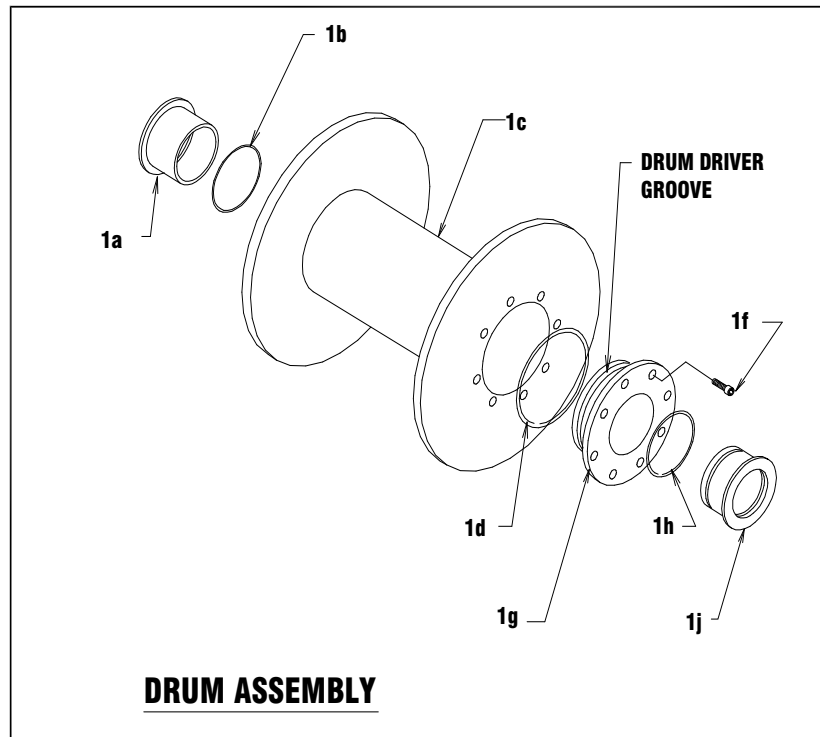
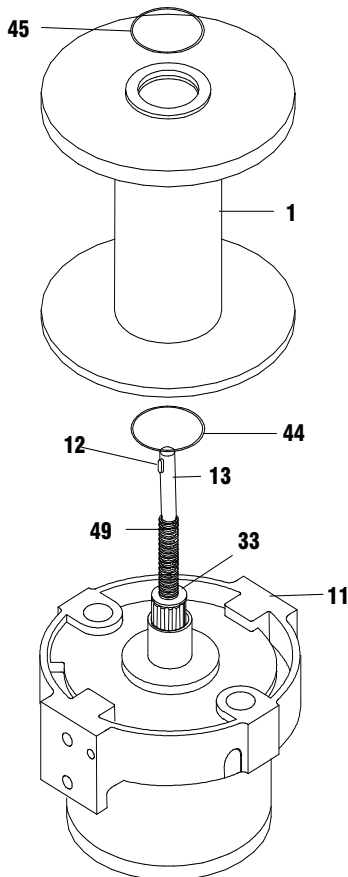
- Remove winch from upright mounting frame item #2 by removing (8) capscrews item #20, (8) lockwashers item #29 and (4) shoulder bolts item #32. Pull motor end bearing item #10 from drum assembly item #1.



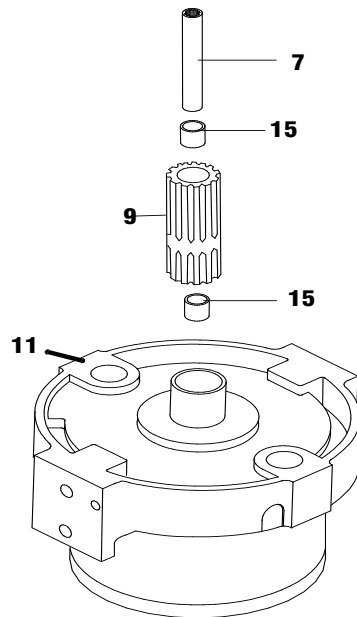
5. Pull drum assembly item #1 upward from end bearing item #11. Remove quad-rings item #44 & #45 from grooves in drum bushings. Remove input shaft item #13, clutch spring item #49 and washer item #33 from end bearing item #11. Examine key item #12 and input shaft for signs of wear, replace if damaged.

Examine drum assembly item #1 for signs of wear. If splines inside of drum driver #1g are damaged, it must be replaced. Remove drum driver #1g by unscrewing (8) capscrews #1f. Place well oiled o-ring #1d into drum driver groove and attach driver to drum #1c using (8) capscrews #1f. Torque capscrews #1f to 163 Nm (120 ft lb) each, in criss-cross pattern.

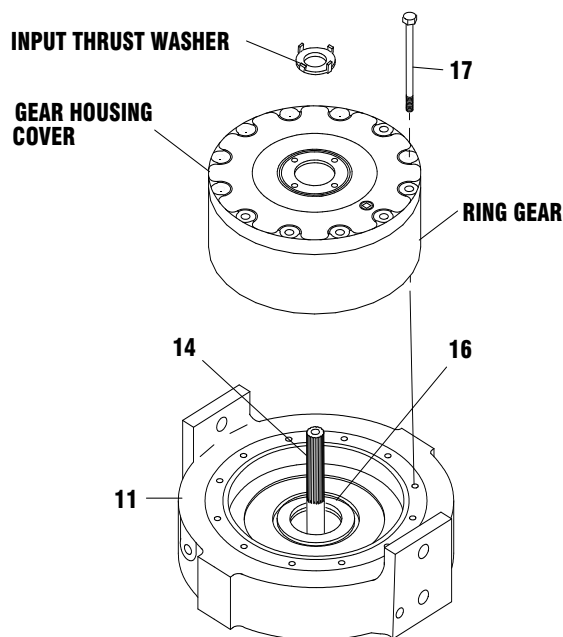
Press old bushings #1a and #1j from drum #1c and drum driver #1g. Remove o-rings #1b and 1h from grooves in drum #1c and drum driver bushing #1j. Place well oiled o-rings #1b and #1h into grooves in drum #1c and outer diameter of drum driver bushing #1j. Press new bushing #1a into end of drum #1c opposite drum driver #1g and press bushing #1j into drum driver #1g until flange of bushings are flush against drum #1c and driver #1g.



6. Remove output coupling item #9 and coupling shaft item #7 from end bearing item #11. Examine bearings item #15, pressed in output coupling item #9, for signs of wear. Replace bearings, if necessary, by pressing old bearings from coupling and press new bearings item #15 into each end of output coupling item #9. Place coupling shaft item #7 into bearings item #15.

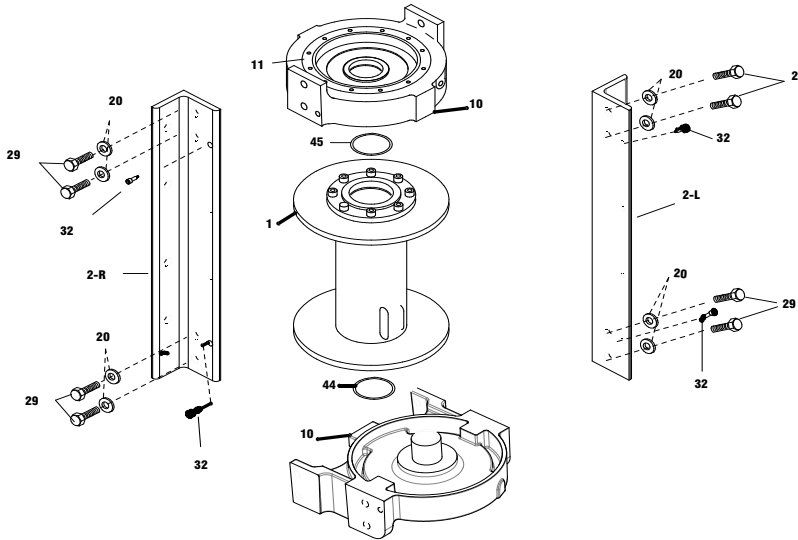


7. Remove (12) capscrews item #17 to pull gear housing cover from ring gear. Remove input thrust washer, sun gear and carrier assemblies from inside of ring gear. Remove ring gear from end bearing item #11. Examine shifter shaft item #14 for signs of wear, replace if necessary. Examine bushing item #16 for signs of wear. Replace bushing, if necessary, by pressing old bushing from housing and pressing new bushing into place.



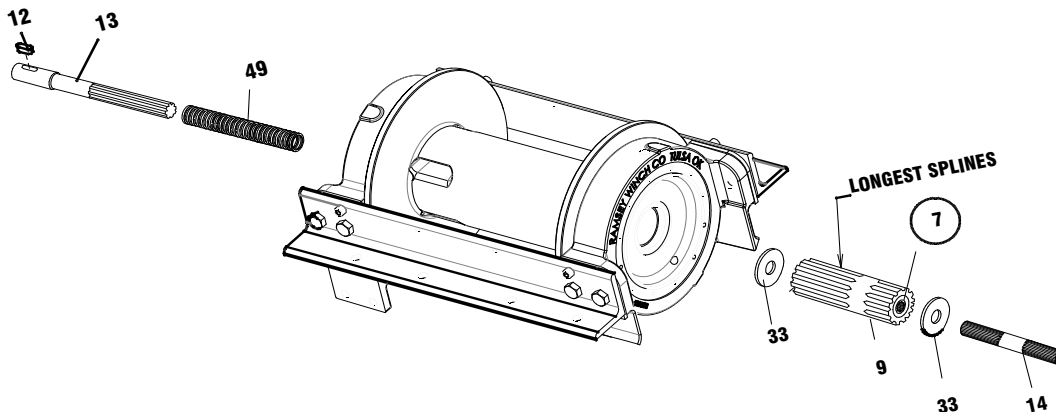
**8. NOTE: DETERMINE MOUNTING CONFIGURATION OF WINCH (R.H. or L.H. MOUNTED) BEFORE ATTACHING UPRIGHT FRAME TO WINCH, TO ASSURE PARTS ARE MOUNTED TO PROPER SIDE, REFER TO WINCH MOUNTING CONFIGURATIONS, STEP 16 PAGE 12.**

Seat well oiled quad-rings item #44 & #45 into groove of bushing in each end of drum assembly item #1, as shown. Carefully set drum assembly item #1 down over motor end bearing item #10. Lift gear housing end bearing item #11 and set into place on drum assembly. Attach upright frame item #2 to end bearings. Install (4) shoulder bolts item #32 and hand tighten. Install (8) capscrews with lockwashers item #20 & #29. Tighten (4) inner-most capscrews securely, check rotation of rope drum. Tighten (4) outer-most capscrews securely, check rotation of rope drum. Torque capscrews, in previous inner-most then outer-most pattern, to 339 Nm (250 ft lb) each. Torque (4) shoulder bolts to 41 Nm (30 ft lb) each. Make sure rope drum assembly rotates freely at this point.



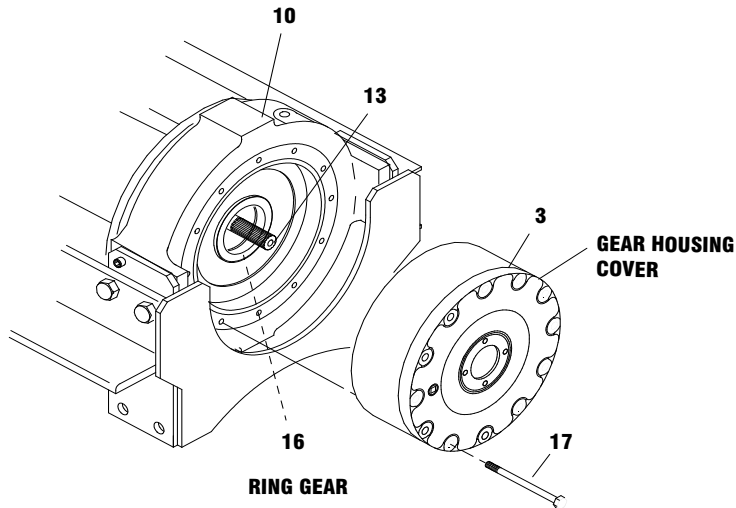
9. Gently tap key item #12 into keyway of input shaft item #13. Liberally apply grease to shoulder of input shaft item #13. Place spring item #49 over splined end of shaft. Use grease to hold spring in place on shaft. Place spring and splined end of shaft through motor end bearing item #10 and drum until shaft extends through bushing item #16. Place clutch washer item #33 over splined end of shaft and against spring.

Place end of output coupling assembly item #9, with longest splines, through end bearing bushing item #16 and mesh shaft coupling spline with splined end of shaft. Place short splined end of shifter shaft item #14 through washer item #33 and into shaft coupling item #7, meshing splines of shifter shaft with splines in shaft coupling.



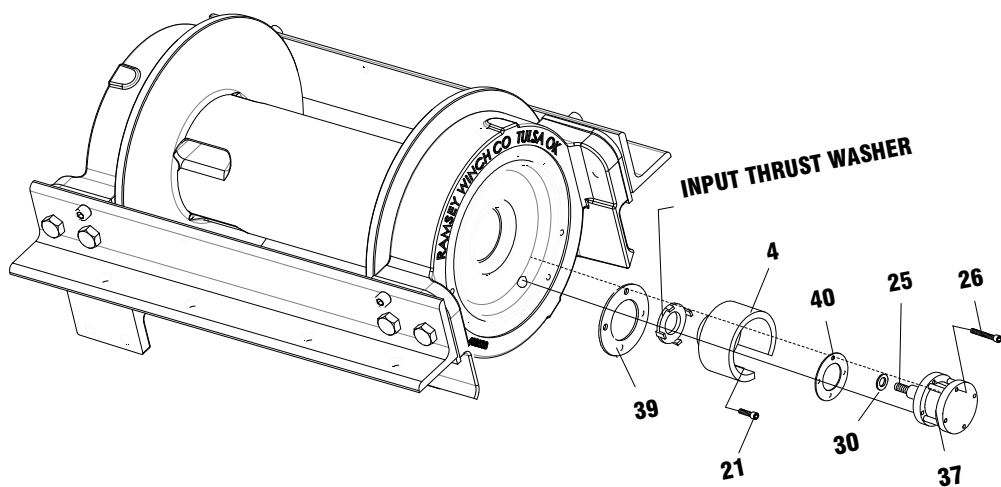
10. Apply RTV sealing compound to ring gear mounting surface of end bearing item #10. Place ring gear onto end bearing, aligning holes in ring gear with holes and gear housing end bearing. Use (2) capscrews to temporarily secure ring gear to end bearing.

Place (2) gear carrier assemblies into ring gear meshing carrier gears with ring gear. Remove (2) temporary capscrews, making sure that ring gear and carrier assemblies are securely against end bearing item #10. Apply RTV sealing compound to cover mounting surface of ring gear item #3) and attach cover to ring gear. Use (12) capscrews item #17 to secure gear box to gear housing end bearing. Torque capscrews to 53 Nm (39 ft lb) each, in criss-cross pattern.



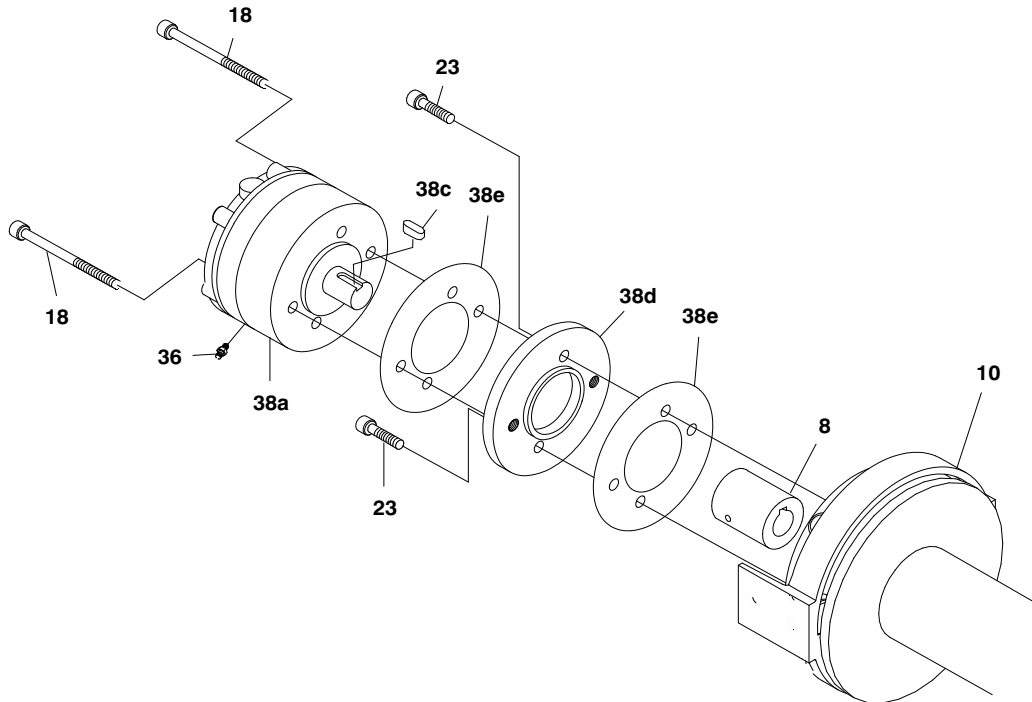
11. Slide input sun gear over shifter shaft item #13 and mesh with teeth of input carrier. Apply grease to input thrust washer and place into slots of air cylinder adapter item #4. Place gasket item #40 into position on gear box cover with sealer and attach adapter to cover using (4) capscrews item #21. Apply Loctite PST thread sealer to threads of capscrews. Torque capscrews to 18 Nm (13 ft lb) each, in criss-cross pattern.

Pull rod from air cylinder as far as possible. Slide washer item #30 over setscrew item #25 and against nut attached to air cylinder rod. Place setscrew into hole of shifter shaft item #13. Attach new air cylinder item #37 and gasket item #40 with sealer, to adapter using (4) capscrews item #26. Apply Loctite PST thread sealer to threads of capscrews. Torque capscrews to 7 Nm (5 ft lb) each, in criss-cross pattern.

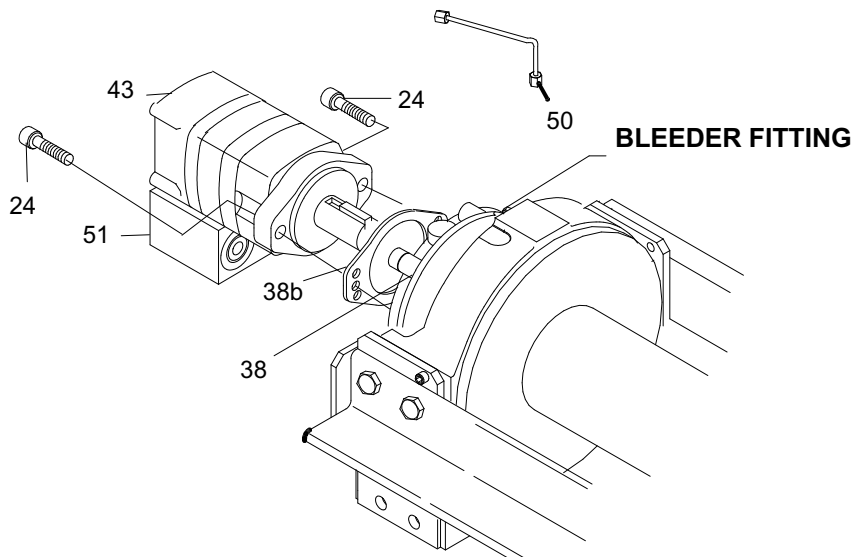


12. Align key way of coupling with key on end of input shaft inside end bearing assembly. Slide coupling over end of shaft. Place gasket item #38e into position on motor mounting surface of end bearing item #10. Use (2) screws item #23 to attach adapter plate item #38d to motor end bearing. Torque capscrews to 115 Nm (85 ft lb) each. Place second gasket item #38e on adapter plate. Insert brake shaft with key item #38c into coupling. Re-attach brake item #38a to adapter plate using brake assembly screws item #18. Torque capscrews to 132 Nm (97 ft lb) each.

**Note:** Care must be taken to assure brake assembly and adapter plate are seated properly prior to installing assembly bolts item #18. Damage will occur to rotor stack or shaft snap ring if not properly installed.

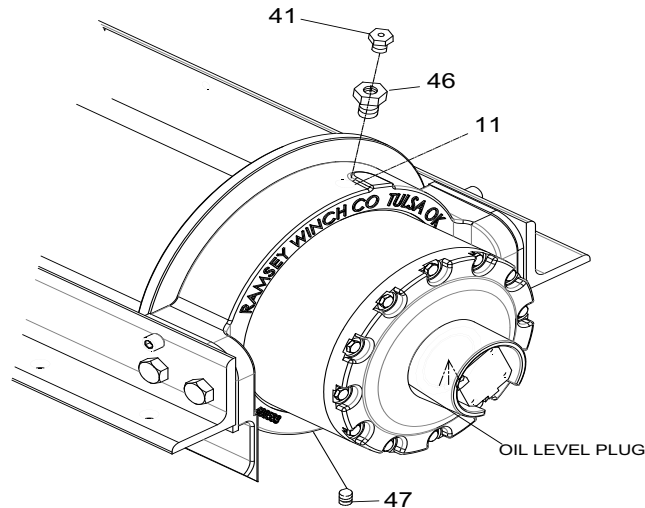


13. Attach motor item #43 with gasket item #38b to brake item #38. Use (2) capscrews item #24 and torque to 100 Nm (74 ft lb) each. Securely connect tube item #50 to elbow item #35 in bottom of valve and fitting item #36 in bottom of brake item #38.



14. Apply Permatex to threads of plug item #47. Thread plug into tapped hole in bottom of gear housing end bearing item #11. Pour approx. 1.2 liters (2.50 pints) of SAE 80W-140 oil into end bearing. Check oil level by removing oil plug noted below. Insert relief fitting item #41 and thread reducer item #46 into end bearing at oil fill hole.

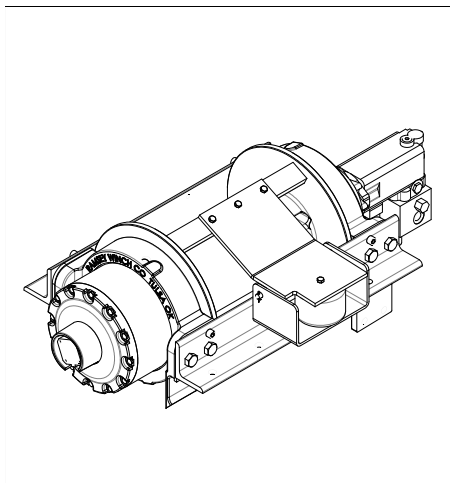
Install winch and connect pressure lines. Bleed pressure release section of brake by loosening bleeder fitting on brake and allowing air to escape while slowly applying hydraulic system pressure to the winch (refer to bleeder fitting in step 13). Apply at least 15,9 bar (230 PSI) pressure to release brake and verify that brake releases, by observing that the winch drum rotates



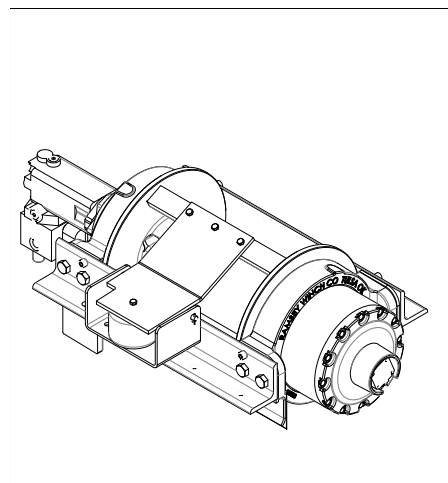
15. Check proper operation of clutch by applying air pressure to clutch air cylinder to disengage clutch. Verify that winch freespool. Re-engage clutch. A loud noise should be heard when clutch engages. Winch drum should not freespool.

16. Operate winch forward and reverse to verify that drum rotates.

## WINCH MOUNTING CONFIGURATION



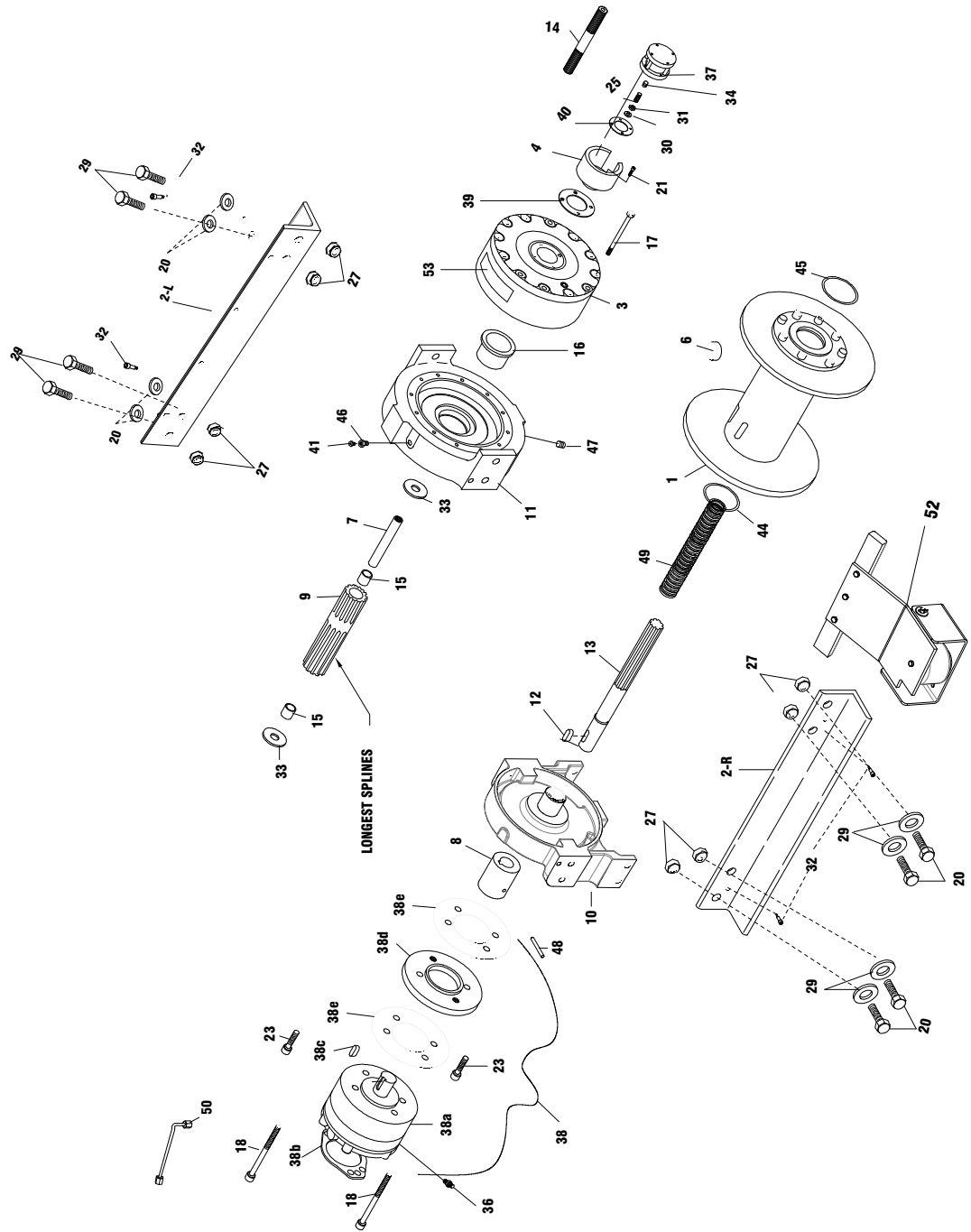
LEFT HAND MOUNTING



RIGHT HAND MOUNTING







# PARTS LIST RPH111,2

Item No	Qty	Part No	Description	Item No	Qty	Part No	Description
1	1	234225	ASSY-DRUM, RPH 133,4	30	1	418432	WASHER-THRUST,NYLATRON,5/16 ID
2-L	1	303173	ANGLE-MOUNTING, LH, RPH 133,4	31	1	418433	NUT-LOCK,5/16-24NF X3/16 THK.
2-R	1	303174	ANGLE-MOUNTING, RH, RPH 133,4	32	4	418453	BOLT-SHOULDER, .50 X.75 LG./ .375-16
3	1	296433	GEAR BOX ASSY-SUB-UP, RPH-30,000	33	2	418462	CLUTCH WASHER 2.125 OD X .878 ID X .070
4	1	300069	ADAPTER-AIR CYL,RPH-30,000, ALUM.	34	1	426045	INSERT-THREADED,.312-24NF,IPH-45000
5	4	474229	SPACER-TIE PLATE, LARGE FLANGE DRUM, RPH 30/35	35	1	432018	FITTING Parker#4-C5OX-S T-LOK, 7/16-20 90 degree
6	1	315010	ROPE ANCHOR-RPH 133,4	36	1	432023	FITTING-7/16-20,PARKER#0503-4-4/EQ.
7	1	324286	COUPLING-SHAFT,1.375 DIA,RPH-30,000	37	1	433014	AIR CYLINDER CLUTCH ENGAGE/DISENGAGE RPH-30000
8	1	324287	COUPLING-MOTOR,RPH-30,000	38	1	438037	BRAKE-Modular AUSCO #76971, Rph30000 thru 50000
9	1	324288	COUPLING-OUTPUT,RPH-30,000	*39	1	442216	GASKET-ADAPTER,AIR CYL,CORK,#VCN-60
10	1	338356	END BEARING-MOTOR, FOOT MTD. MACHINED, RPH 30/35	*40	1	442217	GASKET-AIR CYL,.031 THK. CORK,RPH30
11	1	338427	111,2	41	1	456008	RELIEF FIT-1/8-27PFT,BALL CHECK,Z/P
12	2	342081	KEY-RD ENDS,5/16X5/16X1.5LG,HT,PURC	42	1	456038	FITTING-VENT,BREATHER,#ASP-1BV/EQIV
13	1	357535	SHAFT-INPUT, RPH 133,4 HEAT TREAT	43	1	458101	MOTOR-HYD.C-L#104-2012,2000,2-SPEED
14	1	358065	SHAFT-INPUT SHIFTER,RPH-30,000	*44	1	462013	QUAD-RING-2 7/8ODX2 1/2IDX3/16Q4333
15	2	402119	BEARING-GARLOCK #22DU16 OR EQUIV.	*45	1	462050	QUAD-RING-MIINN RUBBER #Q4343-366Y
16	1	412086	BUSHING-THRUST,GEAR HSG,IPH-45000	46	1	468004	REDUCER-1/2-1/8NPTF,HEX,STL PLAIN
17	10	414272	SCREW-3/8-16NCX5 1/2 HXHD,GR5,P/BLK	47	1	468019	PIPE PLUG-1/2-14NPTF,HEX SOC HD
18	2	414595	CAPSCREW-1/2-13NC x 3-1/2 LONG, HX SOC HD, GR8, BLACK OXIDE FINISH	48	1	470089	ROLL PIN-UNBRAKO#21-S-250-1875/EQUI
20	8	414778	CAPSCREW-3/4-10NC X 2 1/4LG,HXHD,GR-5	49	1	494108	SPRING-CLUTCH SHIFTER,,192DIA,RPH30
21	4	414400	CAPSCREW-3/8-24NF X4LG,HXHD,GR-5	50	1	509125	ASSEMBLY-TUBE, HYDRAULIC BRAKE RELEASE, AUSCO BRAKE
21	1	472059	BAG-PLASTIC,9 X 12,OWNER MANUAL,ETC	51	1	516065	VALVE-C'BALANCE; DUAL CARTRIDGE, 2 SPD, 24V, TAMPER PROOF CAP
22	3	414935	CAPSCREW-3/8-16NCX2 1/2,HXSOCHD	52	1	299755	ASSEMBLY-AIR TENSIONER, SINGLE ACTUATOR, LONG DRUM
23	2	414947	CAPSCREW-1/2-13NC X 1 LG,HEX SOC HD	53	1	434737	TAG-NAME AND DATA RPH111,2
24	2	414948	CAPSCREW-1/2-13NCX1 1/4LG, SOCKET HD	54	1	914217	OWNER'S MANUAL-RPH 133,4 CE (EN 14492-1)
25	1	416051	SETSCREW-5/16-24NF X1,SOCHD,CUP	55	1	251310	MULTI-LANGUAGE EN DECAL KIT RPH111,2
26	4	416233	SCREW-#10-24NC X 2 1/2, HXSOCHD	56	1	911170	INSTALLATION MANUAL FOR RPH111,2
29	8	418249	LOCKWASHER-3/4 ID MED SECT,ZINC PLT	57	1	472059	BAG-PLASTIC,9 X 12, OWNER MANUAL,ETC

\* THESE ITEMS ARE PART OF SEAL AND GASKET KIT #246046. ALSO INCLUDED ARE (3) O-RINGS USED IN DRUM ASSEMBLY 234225, REFER TO PAGE 7.

\*\* THESE ITEMS ARE NOT INCLUDED IN SOME MODELS

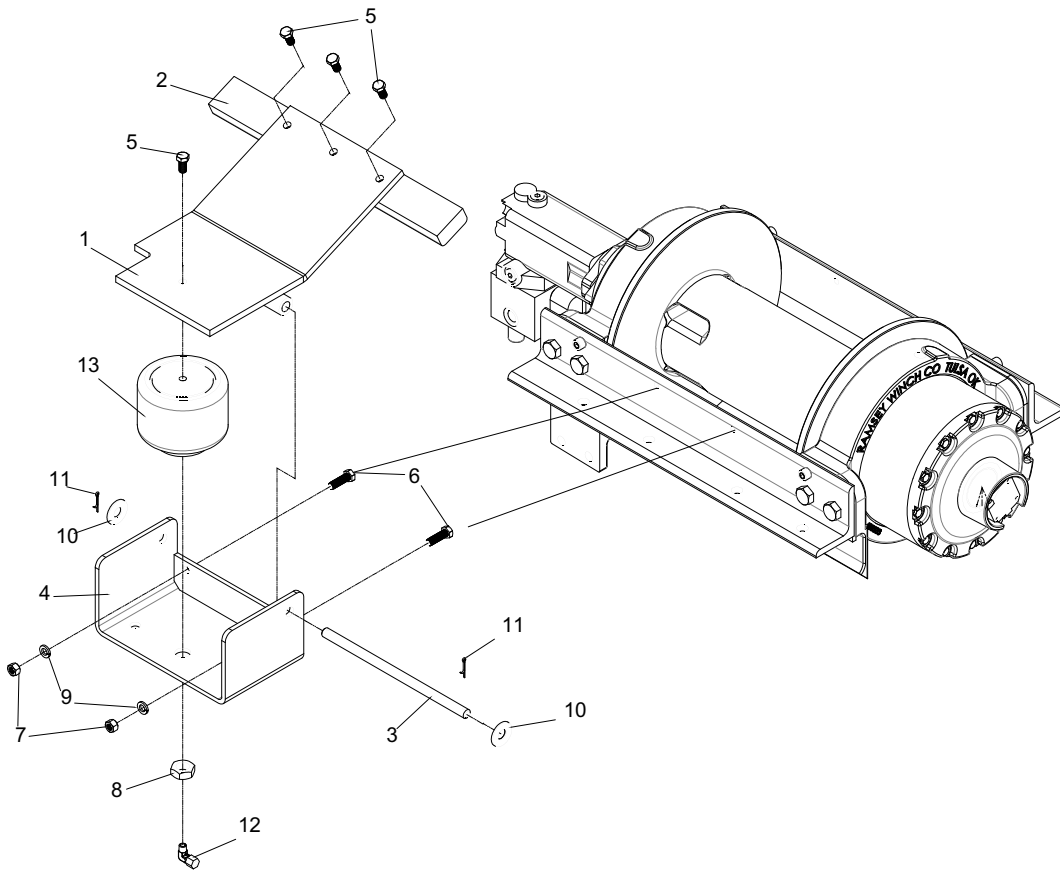
## **ROPE TENSIONER OVERHAUL**

Refer to the Rope Tensioner Parts Diagram on the following page for the assembly of the Rope Tensioner.

The rope tensioner requires an independent, adjustable air supply of between 3,4 bar (50 PSI) and 6,2 bar (90 PSI).

**Do not operate the winch with the tensioner energized against a bare drum.** The winch should only be operated with at least one wrap of rope around the drum with the tensioner energized.

1. To remove the air tensioner from the winch, disconnect the air supply from the tensioner. Remove the capscrews item #8), lockwashers item #11 and nuts item #9 that mount the tensioner to the winch frame. Disassemble the tensioner as shown on the following page and remove any parts that are worn.
2. Re-assemble the tensioner assembly. Mount the tensioner to the winch frame, placing the spacers item #4 between the tensioner bracket and the winch frame. Center the tensioner bar item #2 between the drum flanges using a tape measure or scale. Tighten the mounting bolts to 102 Nm (75 ft lb) of torque.
3. Install the rope on the drum. After a few wraps of the rope are wound onto the drum, connect the air supply to the tee fitting item #14 to energize the tensioner against the drum. As the rope winds onto the drum, watch the tensioner to ensure that it moves freely and does not touch either drum flange.
4. Adjust the air supply until the rope does not “bird nest” when it is freespooling.



### PARTS LIST FOR TENSIONER ASSEMBLY

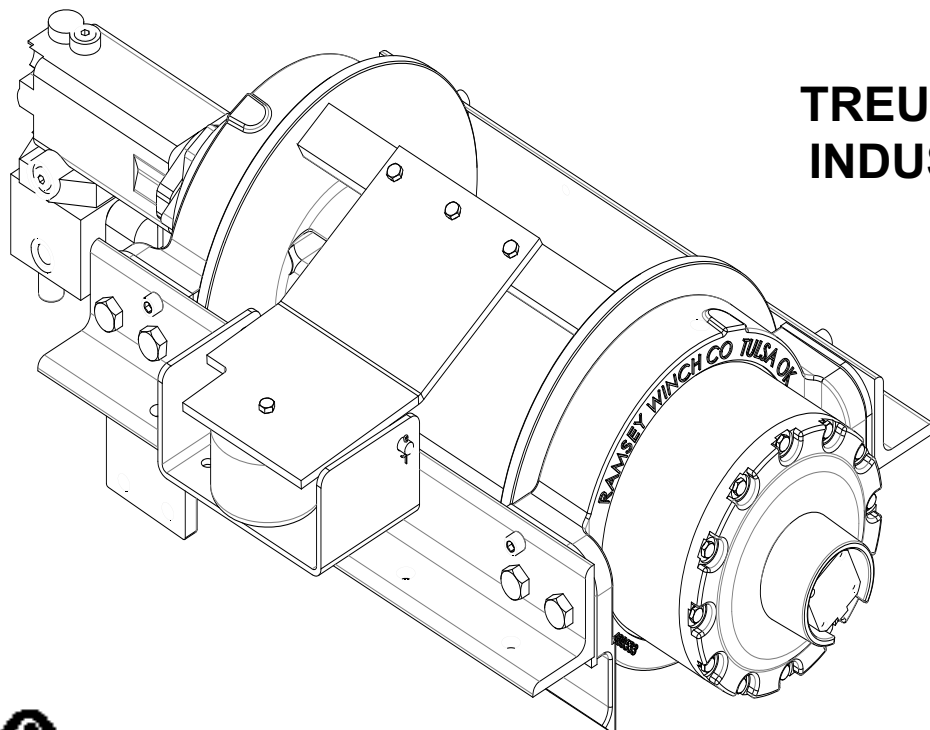
ITEM NO	QTY	P/N	DESCRIPTION
1	1	265102	WELDMENT LEVER ARM, AIR TENSIONER
2	1	304190	BAR AIR TENSIONER, RPH 133,4
3	1	346046	PIN PIVOT,CABLE TENSIONER,RPH20/50
4	1	408362	BRACKET AIR TENSIONER, MACHINED
5	4	414278	CAPSCREW 3/8 16NCX3/4LG,HXHD,Z/P,G5
6	2	414316	CAPSCREW 3/8 16NCX1 1/4,HXHD,Z/P,G5
7	2	418045	NUT 3/8 16NC HEX REG GR.5MIN,ZINC P
8	1	418098	NUT 3/4 16NF HEX JAM
9	2	418177	LOCKWASHER 3/8 MED SECT,ZINC PLATED
10	2	418223	WASHER 1/2 USS FLAT,ZINC PLATED
11	2	424005	COTTER PIN 1/8DIA X 1 LG
12	1	432033	FITTING AIR,90 DEG.ELB #169C 4 2/EQ
13	1	433029	SPRING AIR, FOR CABLE TENSIONER, ENIDINE YI 1S4 007





**MANUEL D'EXPLOITATION,  
DE DÉPANNAGE ET  
D'ENTRETIEN**

**English (Original translation) . . . . . 1**  
**Français (Traduction des instructions originales) . . 18**  
**Deutsch (Übersetzung der Originalanleitung) . . . . . 39**  
**Español(Traducción de las instrucciones originales).58**



**TREUIL À PLANÉTAIRE  
INDUSTRIEL, MODÈLE  
RPH 111,2**



**Utilisation prévue : dépannage de véhicule et traction de charges**

**MISE EN GARDE : LIRE ET COMPRENDRE CE MANUEL AVANT D'INSTALLER ET D'UTILISER LE TREUIL. LIRE LES AVERTISSEMENTS !**

**RAMSEY WINCH COMPANY**

P.O. Box 581510 - Tulsa, OK 74158-1510 États-Unis  
Téléphone : (918) 438-2760 Fax : (918) 438-6688  
Nous visiter à <http://www.ramsey.com>

**Ramsey Représentant autorisé dans la communauté:**

**(Veuillez prendre contact uniquement pour des questions réglementaires.)**

Alura Group BV  
P.O. Box 18626  
2502 EP The Hague  
The Netherlands  
Tel: (31) (0) 70 362-4896  
Fax: (31) (0) 70 346-7299

## TABLE DES MATIÈRES

CARACTÉRISTIQUES TECHNIQUES .....	20
AVERTISSEMENTS .....	20
RESPONSABILITÉ DE L'UTILISATEUR POUR LA CONFORMITÉ CE .....	20
CARACTÉRISTIQUES DU SYSTÈME HYDRAULIQUE .....	21
DIAGRAMMES DE PERFORMANCES .....	21
FONCTIONNEMENT DE L'EMBRAYAGE .....	22
MONTAGE DU CADRE DU TREUIL .....	22
POSE DU CÂBLE .....	22
FONCTIONNEMENT DU TREUIL .....	22
ENTRETIEN .....	23
MESURES DE MISE HORS SERVICE .....	23
GUIDE DE DÉPANNAGE .....	23
INSTRUCTIONS DE RÉVISION .....	24-31
CONFIGURATIONS DE MONTAGE .....	31
PLANS COTÉS .....	32-33
LISTE ET SCHÉMA DES PIÈCES .....	34-35
RÉVISION ET INSTALLATION DU TENDEUR DE CÂBLE .....	36
LISTE ET SCHÉMA DES PIÈCES DU TENDEUR DE CÂBLE .....	37
DÉCLARATION DE CONFORMITÉ CE .....	38

## CARACTÉRISTIQUES TECHNIQUES\*

Première couche ligne Pull .....111,2 kN (25000 lb)					
Niveau de bruit.....76 db					
Plage de température ambiante.....-28C to 60C (-20 to 140F)					
Gear Rduction.....31.89:1					
Poids (sans corde).....261kg (575 lb)					
Couche de corde		1	2	3	4
Pull de ligne par couche	kN	111,2	95,2	83,6	74,2
	lb	25,000	21,400	18,800	16,700

* Capacité de corde par couche	m	13	30	50	73
	ft	45	100	165	240
* Vitesse de ligne à 56,7 LPM (15 GPM)	MPM	5,5	6,3	7,2	8,5
	FPM	18	21	24	28
* Ces spécifications sont basées sur recommandée 16 mm (.63 ") Bridon Dyform 34LR/PI/Max 1960 grade cordage ou équivalent avec effraction minimale strenght de 222, 4kN (50 000 lb) et un 157 cc (9,6 cu dans) /Rev. moteur.					

NOTE : LES COTES ÉNUMÉRÉS CI-DESSUS SONT DES CHARGES DYNAMIQUES BASÉS SUR 3 000 PSI, PRESSION DE SERVICE. PREMIÈRE COUCHE STATIQUE COTE EST DE 24 000 LB BASÉ SUR 3 000 PSI, PRESSION DE SERVICE.

## AVERTISSEMENTS :

**L'UTILISATEUR DOIT VEILLER À CE QUE TOUT OPÉRATEUR REÇOIVE LA FORMATION NÉCESSAIRE. L'OPÉRATEUR DOIT TOUJOURS TRAVAILLER EN CONFORMITÉ AVEC LES INSTRUCTIONS D'UTILISATION. UN DISTRIBUTEUR À TIROIR CYLINDRIQUE DE MOTEUR (CENTRE OUVERT) EST NÉCESSAIRE POUR LE FONCTIONNEMENT DU FREIN.**

**L'EMBRAYAGE DOIT ÊTRE COMPLÈTEMENT ENCLENCHÉ AVANT DE DÉMARRER LE TREUIL. NE JAMAIS RELÂCHER L'EMBRAYAGE EN PRÉSENCE D'UNE CHARGE.**

**NE JAMAIS SE PLACER SOUS UNE CHARGE SOULEVÉE NI À PROXIMITÉ.**

**RESTER À L'ÉCART DU CÂBLE LORS DU TREUILLAGE. NE PAS ESSAYER DE GUIDER LE CÂBLE.**

**NE PAS UTILISER LE TREUIL POUR SOULEVER, MAINTENIR OU TRANSPORTER DES PERSONNES.**

**IL CONVIENT DE CONSERVER AU MINIMUM DEUX TOURS DE CÂBLE AUTOUR DU TAMBOUR POUR MAINTENIR LA CHARGE.**

**ÉVITER TOUTE SITUATION DE DÉPLACEMENT DE LA CHARGE OU D'À-COUPS, ÉVITER LES MOUVEMENTS SACCADÉS. RESPONSABILITÉ DE L'UTILISATEUR POUR LA CONFORMITÉ CE**

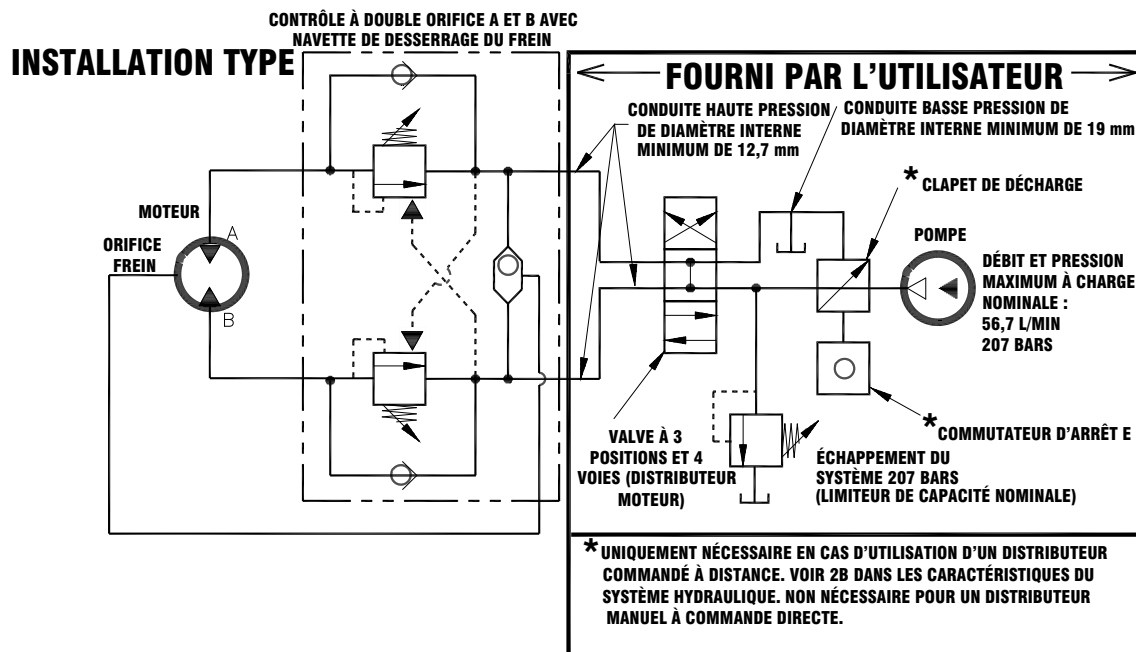
1. Utiliser uniquement un distributeur à tiroir cylindrique de moteur (centre ouvert) conformément aux caractéristiques du système hydraulique.
2. En cas d'utilisation d'un distributeur commandé à distance, se référer aux caractéristiques du système hydraulique pour connaître les composants d'arrêt d'urgence à installer.
3. Régler la pression d'échappement du système conformément aux caractéristiques du système hydraulique
4. Monter le treuil conformément aux instructions d'installation du treuil.
5. Installer 16 mm (.63 pouce), Bridon DyForm 34LR/PI/Max 1960 grade wire rope ou équivalent avec un minimum de rupture de 222,4 KN (50 000 lb) câbles d'acier. Longueur de la corde maximale de 73 M (240 pi) pour quatre couches maximales. Attacher la corde dans le tambour conformément aux Instructions d'Installation de corde. Crochet doit avoir un verrou de sécurité et un minimum de résistance de 278 kN.



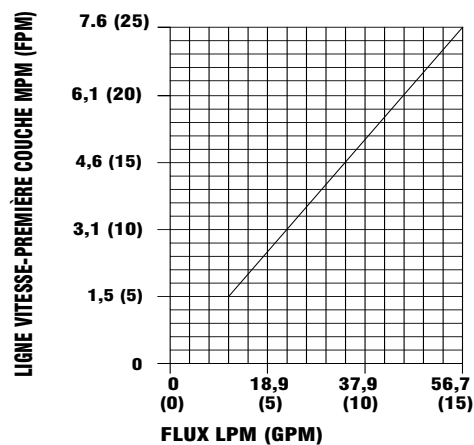
Reportez-vous aux diagrammes de performances ci-dessous pour établir une correspondance entre votre système hydraulique et le fonctionnement de votre treuil. Ces diagrammes sont constitués des éléments suivants : (1) Traction du câble, première couche en kN / Pression de fonctionnement en bars. (2) Vitesse du câble, première couche en m/min / Débit en l/min.

## CARACTÉRISTIQUES DU SYSTÈME HYDRAULIQUE

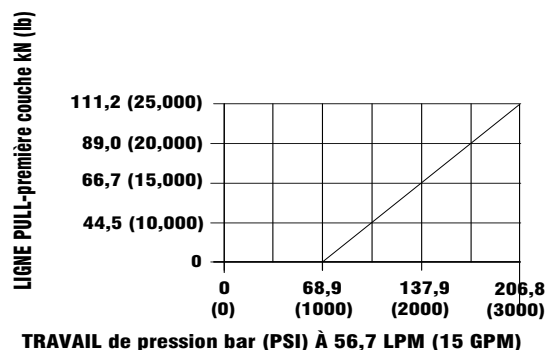
1. Distributeur à tiroir cylindrique de moteur (centre ouvert)
2. Arrêt d'urgence :
  - A. Si le treuil est commandé par un distributeur manuel à commande directe, le distributeur sert d'arrêt d'urgence.
  - B. En cas d'utilisation d'un distributeur commandé à distance, un clapet de décharge hydraulique commandé par le solénoïde, normalement ouvert vers le réservoir, et un commutateur d'arrêt d'urgence (pour ouvrir le clapet de décharge) sont nécessaires. Le commutateur d'arrêt d'urgence doit être normalement fermé et posséder un actionneur à bouton-poussoir rouge réinitialisable sur un fond jaune. L'opérateur doit pouvoir accéder facilement au commutateur d'arrêt d'urgence.
3. Réglage de la soupape de surpression à 207 bars, qui est le limiteur de capacité nominale.
4. Débit de 56,7 l/min maximum. Ne doit pas dépasser 75,7 l/min ; risque d'endommagement du moteur et du treuil.
5. Fluide hydraulique d'une viscosité comprise entre 20 et 43 cSt (entre 100 et 200 SUS). Température de fonctionnement maximale de 85 °C. Niveau de propreté de la norme ISO 17-14 ou supérieur.



## TABLEAUX DE PERFORMANCES



**BASÉ SUR 157 CC (9,6 IN CU) MOTOR**



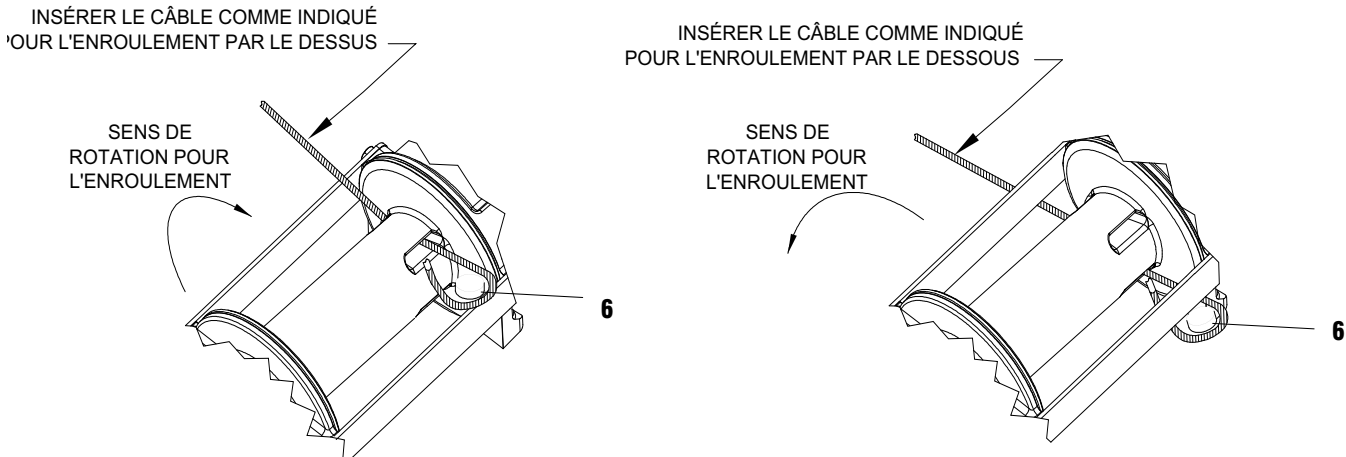
## MONTAGE DU CADRE DU TREUIL

Utilisez (8) boulons de 15,9 mm de diamètre de grade 5 ou plus pour fixer le cadre de montage sur la dépanneuse.

## POSE DU CÂBLE

Le treuil RPH111,2 comporte deux logements effilés, moulés dans le tambour. L'un d'eux s'emploie pour les installations requérant un enroulement du câble par-dessus le tambour. L'autre pour un enroulement par-dessous le tambour.

1. Déroulez le câble sur le sol pour éviter qu'il ne se torde. Recouvrez bien l'extrémité du câble opposée au crochet d'un ruban adhésif plastique ou de type équivalent pour éviter qu'elle s'effiloche.
2. Insérez le câble dans la partie étroite du logement, contre la bride du tambour, enroulez-le autour du galet d'ancrage, puis retirez le câble et l'ancrage dans la partie large du logement. Utilisez un marteau-caoutchouc pour acheminer l'arrière du câble, en le plaçant fermement avec l'ancrage dans le logement.
3. Faites tourner avec précaution le treuil dans le sens de l'enroulement. Maintenez une tension sur l'extrémité du câble et enroulez tout le câble sur le tambour en veillant à former des couches régulières.



## FONCTIONNEMENT DE L'EMBRAYAGE

### Enclenchement de l'embrayage

1. Déplacez la commande de l'embrayage en position « embrayage enclenché ».
2. S'il gèle, faites uniquement tourner le moteur dans le sens de déroulement du câble jusqu'à ce que le tambour commence à tourner.
  - 2a. S'il fait extrêmement froid (au-dessous de -18 °C), tirez le câble à la main jusqu'à ce que le tambour commence à tourner.
3. Attendez au moins trois secondes pour que l'embrayage s'enclenche complètement, après quoi le treuil est prêt à gérer le câble.

**AVERTISSEMENT :** n'essayez pas d'enclencher l'embrayage en commençant par faire tourner le moteur du treuil puis en enclenchant la commande d'embrayage pendant le fonctionnement du moteur. Ne commencez pas à treuiller pendant l'enclenchement de l'embrayage.

### Désenclenchement de l'embrayage

1. Faites fonctionner le treuil dans le sens de déroulement jusqu'à ce que le câble ne tracte plus la charge.
2. Déplacez la commande de l'embrayage en position « embrayage désenclenché ».
3. Il est désormais possible de tirer le câble à la main.

## FONCTIONNEMENT DU TREUIL

Pour vous familiariser avec votre treuil, il est vivement conseillé de l'essayer avant de vraiment l'utiliser. Préparez l'essai. N'oubliez pas que vous entendez votre treuil autant que vous le voyez fonctionner. Apprenez à reconnaître le son d'une traction légère et régulière, celui d'une lourde charge ou encore celui provoqué par des à-coups ou une déviation de la charge. Prenez l'habitude de faire fonctionner votre treuil et tout deviendra automatique. L'enroulement irrégulier du câble lors de la traction d'une charge ne présente pas de problème sauf en cas d'accumulation du câble sur un côté du tambour. Dans ce cas, inversez le fonctionnement du treuil afin de soulager la charge et déplacez votre point d'attache vers le centre du véhicule. Une fois le travail terminé, vous pouvez dérouler le câble et l'enrouler à nouveau d'une manière régulière.

## **ENTRETIEN**

L'observation du calendrier de maintenance suivant vous permettra de maintenir votre treuil en bon état et garantira un fonctionnement avec un minimum de réparations.

### **A. HEBDOMADAIRE**

1. Vérifiez le niveau d'huile et maintenez-le au niveau du bouchon. En cas de fuite d'huile, déterminez l'emplacement de la fuite et réparez.
2. Vérifiez le bouchon d'échappement en haut de la boîte d'engrenages. Assurez-vous qu'il n'est pas bouché.
3. Lubrifiez le câble avec de l'huile légère.

### **B. MENSUEL**

1. Vérifiez les boulons de fixation du treuil. Remplacez tout boulon manquant et serrez fermement les autres. Utilisez des boulons de grade 5 ou de qualité supérieure.
2. Examinez le câble. Tout câble dénudé ou effiloché doit être remplacé immédiatement.

### **C. ANNUEL**

1. Le treuil doit être vidangé une fois par an ou plus souvent en cas d'usage fréquent.
2. Remplissez le treuil de kérosène propre jusqu'au niveau du bouchon de niveau d'huile. Faites fonctionner le treuil quelques secondes sans charge dans le sens de l'enroulement. Éliminez le kérosène du treuil.
3. Remplissez le treuil jusqu'au bouchon de niveau d'huile avec de l'huile pour engrenages SAE 80W-140 polyvalente.
4. Examinez le châssis et la structure afin de déceler toutes déformations ou fissures éventuelles.

## **MESURES DE MISE HORS SERVICE**

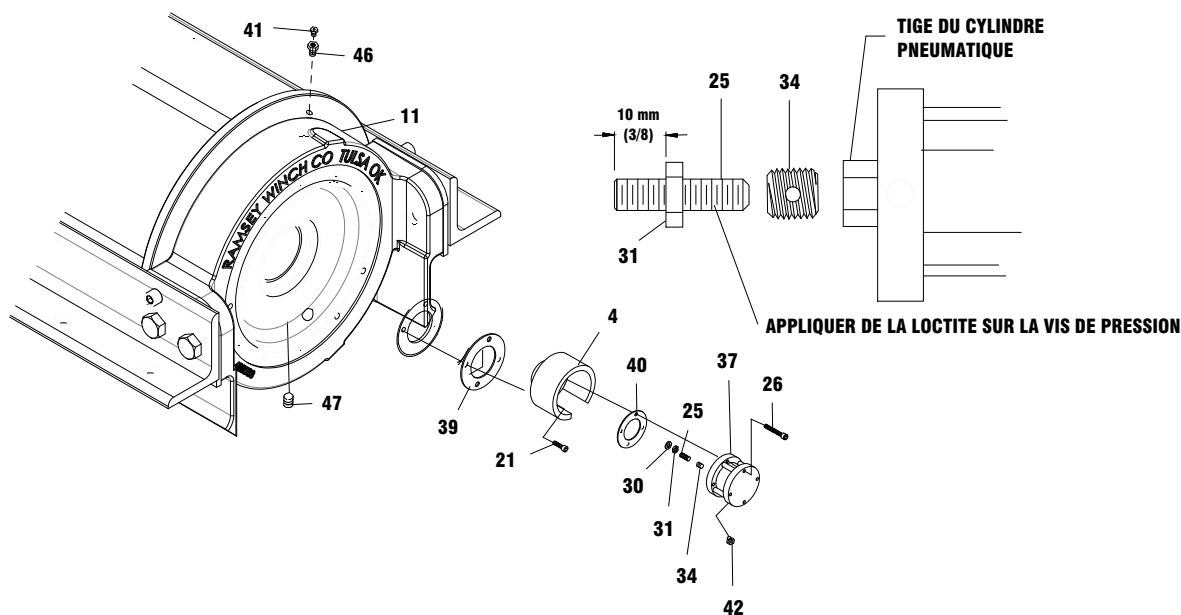
Lorsque le treuil arrive en fin de vie, le mettre au rebut conformément à la réglementation environnementale locale.

## **GUIDE DE DÉPANNAGE**

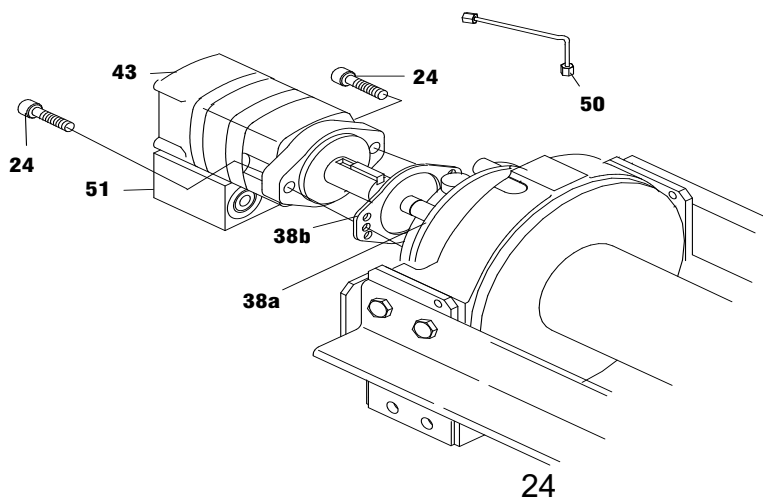
<b>PROBLÈME</b>	<b>CAUSE PROBABLE</b>	<b>CORRECTIF</b>
<b>FUITE D'HUILE AU NIVEAU DU TREUIL</b>	<ol style="list-style-type: none"><li>1. Joints d'étanchéité endommagés ou usés.</li><li>2. Trop d'huile.</li><li>3. Joint statique endommagé.</li></ol>	<ol style="list-style-type: none"><li>1. Remplacez le joint d'étanchéité.</li><li>2. Vidangez l'excédent d'huile. Reportez-vous aux TECHNIQUES D'UTILISATION.</li><li>3. Remplacez le joint statique.</li></ol>
<b>LES SYSTÈMES HYDRAULIQUES DU TREUIL FONCTIONNENT TROP LENTEMENT.</b>	<ol style="list-style-type: none"><li>1. Débit faible</li><li>2. Moteur hydraulique usé.</li></ol>	<ol style="list-style-type: none"><li>1. Vérifiez le débit. Reportez-vous au diagramme de la page 21.</li><li>2. Remplacez le moteur.</li></ol>
<b>LE TAMBOUR NE TOURNE PAS EN ROUE LIBRE.</b>	<ol style="list-style-type: none"><li>1. Embrayage non désenclenché.</li><li>2. S'il est équipé d'un tendeur pneumatique, une force excessive est appliquée sur la barre du tendeur.</li></ol>	<ol style="list-style-type: none"><li>1. Vérifiez la pression d'air au cylindre d'embrayage, 6,2 bars minimum requis (reportez-vous à la page 21).</li><li>2. Réduisez la pression d'air aux actionneurs du tendeur.</li></ol>
<b>LE FREIN NE SE DESSERRE PAS.</b>	<ol style="list-style-type: none"><li>1. Air dans le système hydraulique</li></ol>	<ol style="list-style-type: none"><li>1. Purgez l'air du frein. Reportez-vous à la page 21.</li></ol>

## INSTRUCTIONS DE RÉVISION

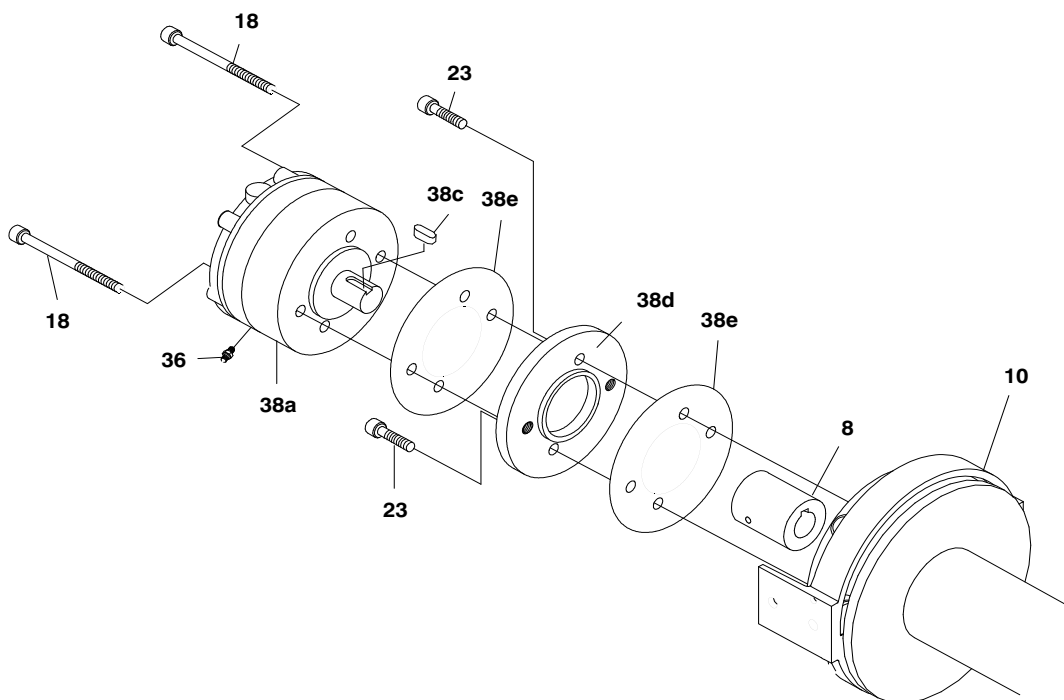
1. Retirez le bouchon cylindrique (pièce n° 47) du palier d'extrémité pour vidanger l'huile de la boîte d'engrenages (pièce n° 11). Retirez le réducteur n° 41 et le raccord de dégagement n° 46.  
S'il s'avère nécessaire de changer le cylindre pneumatique, retirez-le de l'adaptateur n° 4 en enlevant les (4) vis d'assemblage n° 26. Retirez le reniflard n° 42. Retirez la rondelle n° 30, l'écrou n° 31, la vis de pression n° 25 et le raccord n° 34 de l'extrémité de la tige du cylindre pneumatique. Appliquez de la Loctite sur les filets de l'écrou n° 31 et enfitez ce dernier sur la vis de pression n° 25, à 10 mm de l'extrémité d'entraînement, comme indiqué ci-dessous. Appliquez de la Loctite sur les filets de la vis de pression et enfitez le raccord n° 34 sur son extrémité et contre l'écrou. Utilisez la vis de pression et l'écrou pour enfilez le raccord n° 34 sur l'extrémité de la tige du cylindre pneumatique. Serrez l'écrou contre la tige du cylindre, en conservant un espace de 10 mm entre l'extrémité de l'entraînement de la vis de pression et l'écrou. Vérifiez que le reniflard n° 42 et le raccord de dégagement n° 41 ne sont pas endommagés et qu'ils fonctionnent correctement. Retirez-les et remplacez-les si nécessaire. Retirez l'adaptateur du cylindre pneumatique n° 4 et le joint n° 40 du couvercle de la boîte d'engrenages en dévissant les (4) vis d'assemblage n° 21.



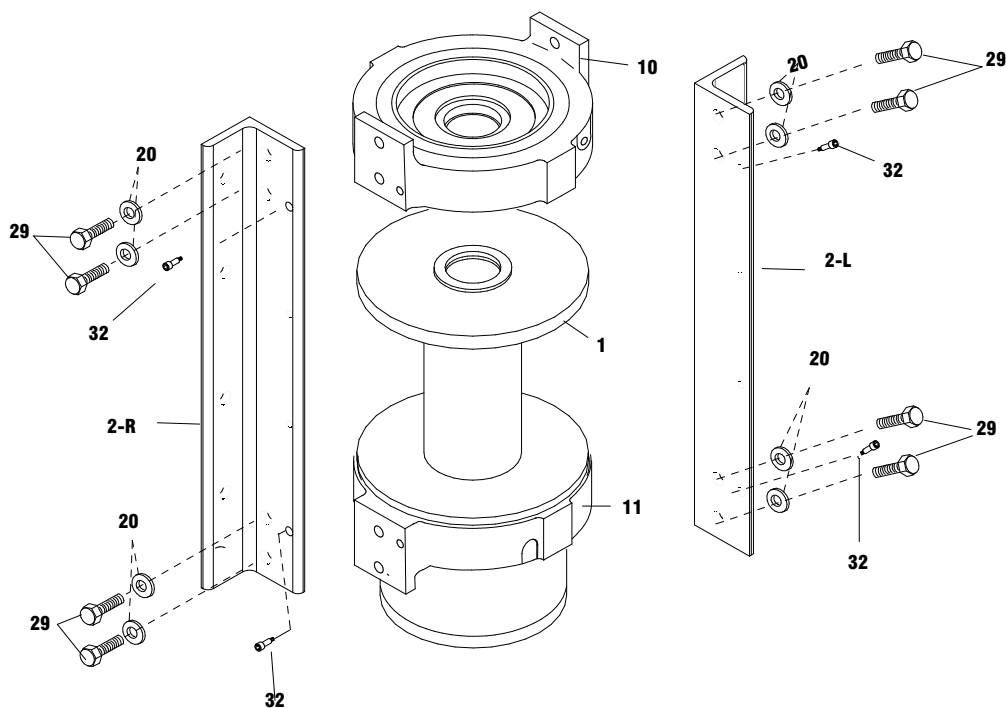
2. Débranchez le tube n° 50 du coude n° 35 et du raccord n° 36 au niveau du bas du frein n° 38. Retirez le moteur n° 43 et le joint n° 38b en retirant les (2) vis d'assemblage n° 24. Si nécessaire, retirez la valve n° 51 du moteur en desserrant les (3) vis d'assemblage n° 22 (non illustrées).



3. Retirez les vis n° 18 du frein n° 38a pour accéder aux (2) vis de fixation n° 23 servant à fixer la plaque adaptatrice du frein n° 38d sur le palier d'extrémité n° 10. **MISE EN GARDE : le ressort du frein est comprimé par le ressort d'embrayage et il doit être retenu contre le palier d'extrémité pendant la dépose des vis de fixation n° 23.** Retirez le raccordement n° 8 et le joint statique n° 38e du palier d'extrémité. Prenez note de l'aspect du montage pour assembler correctement les pièces lors du remontage.



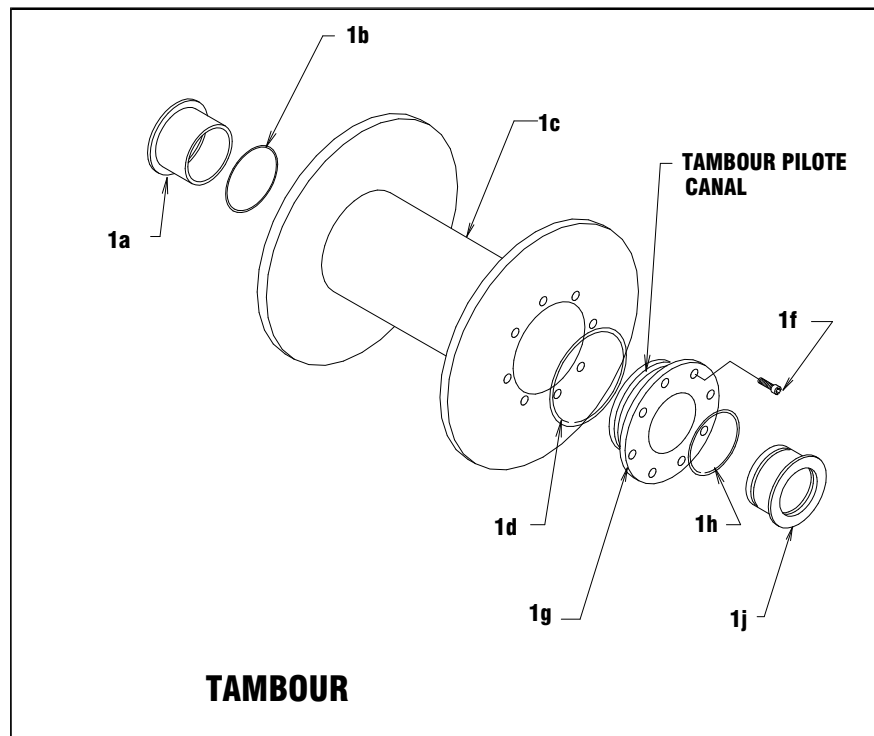
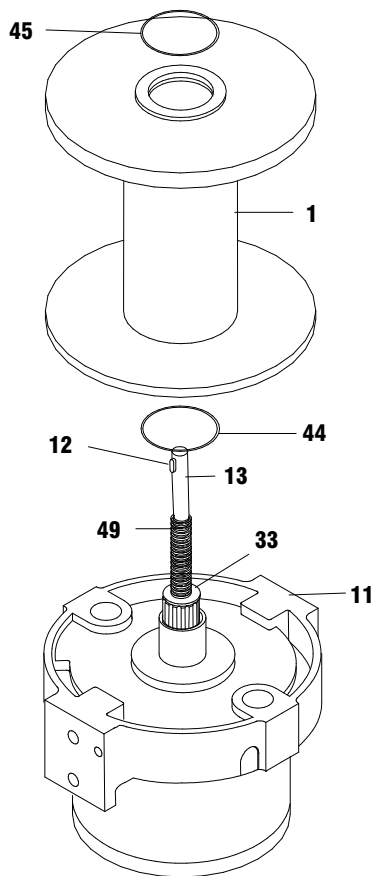
4. Retirez les (8) vis d'assemblage n° 20, les (8) rondelles de sécurité n° 29 et les (4) boulons à épaulement n° 32 afin de déposer le treuil du cadre de fixation vertical n° 2. Retirez le palier d'extrémité du moteur n° 10 du tambour n° 1.



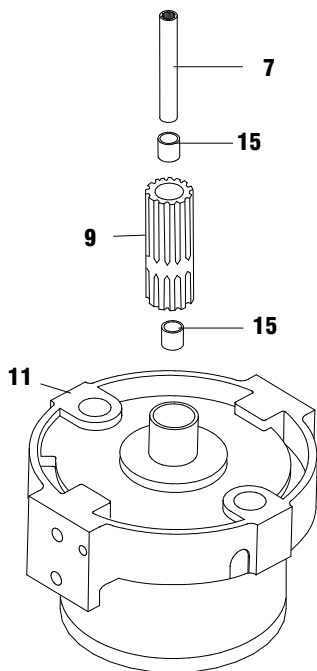
5. Tirez le tambour n° 1 vers le haut par le palier d'extrémité n° 11. Retirez les joints quad-ring n° 44 et 45 des rainures des bagues du tambour. Retirez l'arbre d'entrée n° 13, le ressort d'embrayage n° 49 et la rondelle n° 33 du palier d'extrémité n° 11. Examinez l'état de la clavette n° 12 et de l'arbre d'entrée et remplacez-les si nécessaire.

Vérifiez le tambour n° 1 afin de déceler tout signe d'usure éventuel. Si les cannelures à l'intérieur de l'entraînement du tambour n° 1g sont endommagées, il convient alors de le remplacer. Dévissez les (8) vis d'assemblage n° 1f pour retirer l'entraînement du tambour n° 1g. Placez un joint torique bien huilé n° 1d dans la rainure de l'entraînement du tambour et fixez ce dernier au tambour n° 1c au moyen des (8) vis d'assemblage n° 1f. Serrez les vis d'assemblage n° 1f à un couple de 163 Nm chacune, en alternant en croix.

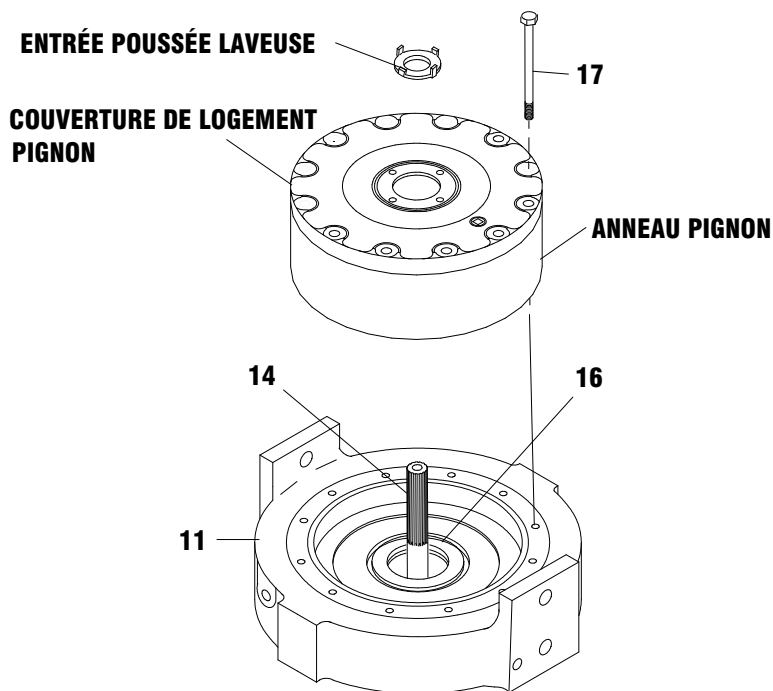
Retirez les bagues usagées n° 1a et n° 1j du tambour n° 1c et de son entraînement n° 1g. Retirez les joints toriques n° 1b et 1h des rainures des bagues du tambour n° 1c et de l'entraînement n° 1j. Placez des joints toriques n° 1b et n° 1h bien huilés dans les rainures du tambour n° 1c et du pourtour externe de la bague d'entraînement du tambour n° 1j. Insérez la bague neuve n° 1a sur l'extrémité du tambour n° 1c, à l'opposé de l'entraînement du tambour n° 1g, puis pressez la bague n° 1j contre l'entraînement n° 1g jusqu'à ce que les brides se trouvent tout contre le tambour n° 1c et l'entraînement n° 1g.



6. Retirez le raccordement de sortie n° 9 et l'arbre de raccordement n° 7 du palier d'extrémité n° 11. Examinez les paliers n° 15 dans le raccordement de sortie n° 9 afin de détecter tout signe d'usure éventuel. Changez-les si besoin est en les sortant et en les remplaçant par des neufs (pièce n° 15) dans chaque extrémité du raccordement de sortie (pièce n° 9). Placez l'arbre de raccordement (pièce n° 7) dans les paliers (pièce n° 15).

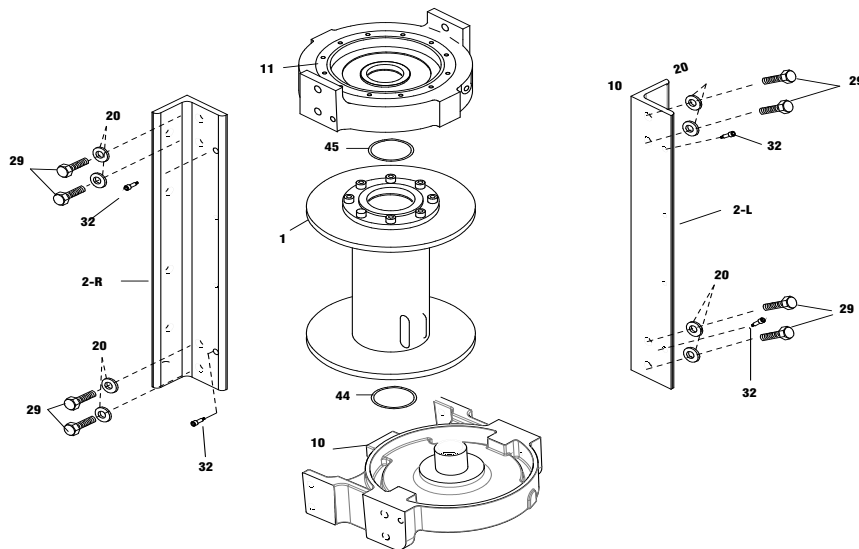


7. Retirez les (12) vis d'assemblage (pièce n° 17) pour sortir le couvercle de la boîte d'engrenages de la couronne. Retirez la rondelle de butée d'entrée, le planétaire et les porte-pignons de l'intérieur de la couronne. Retirez la couronne du palier d'extrémité (pièce n° 11). Examinez l'arbre de l'embrayeur (pièce n° 14) afin de détecter toute trace d'usure et remplacez-le si nécessaire. Vérifiez la bague (pièce n° 16) pour détecter toute trace d'usure. Si nécessaire, sortez la bague usagée et remplacez-la par une neuve.



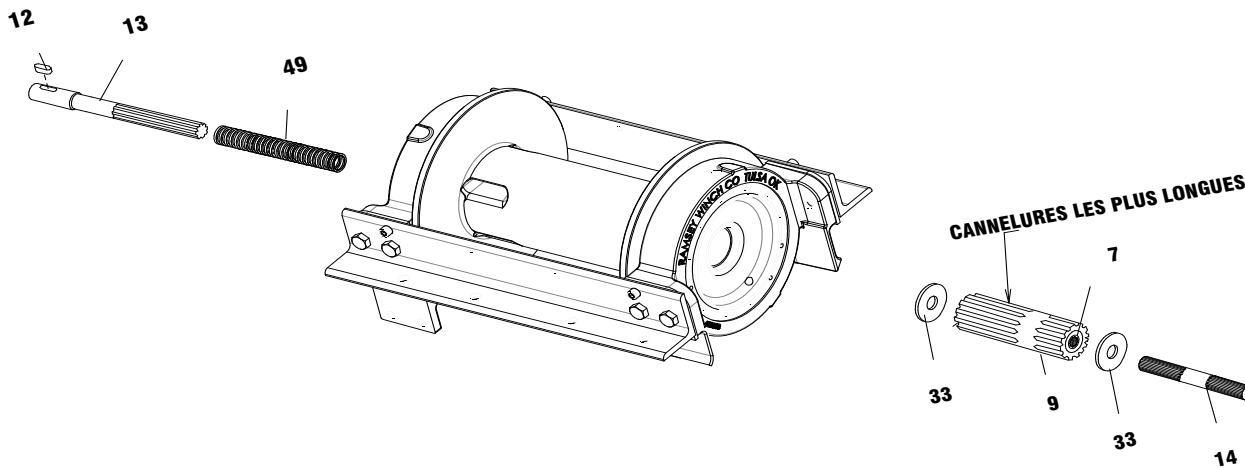
**8. REMARQUE : DÉTERMINEZ LA CONFIGURATION DE MONTAGE DU TREUIL (MONTAGE DROIT OU GAUCHE) AVANT DE FIXER LE CADRE VERTICAL SUR LE TREUIL, AFIN DE VOUS ASSURER QUE LES PIÈCES SONT MONTÉES DU BON CÔTÉ. RÉFÉREZ-VOUS AUX CONFIGURATIONS DE MONTAGE DU TREUIL, À L'ÉTAPE 16 DE LA PAGE 29.**

Placez des joints quad-ring bien huilés (pièces n° 44 et 45) dans la rainure de bague, à chaque extrémité du tambour (pièce n° 1), comme indiqué. Placez avec précaution le tambour (pièce n° 1) sur le palier d'extrémité du moteur (pièce n° 10). Soulevez le palier d'extrémité de la boîte d'engrenages (pièce n° 11) et mettez-le en place sur le tambour. Fixez le cadre vertical (pièce n° 2) sur les paliers d'extrémité. Installez les (4) boulons à épaulement n° 32 et serrez-les à la main. Installez les (8) vis d'assemblage avec les rondelles de sécurité n° 20 et 29. Serrez fermement les (4) vis d'assemblage intérieures et vérifiez que le tambour tourne correctement. Serrez fermement les (4) vis d'assemblage extérieures et vérifiez que le tambour tourne correctement. Serrez les vis d'assemblage, en commençant par les vis intérieures puis en serrant les vis extérieures, à un couple de 339 Nm chacune. Serrez les (4) boulons à épaulement à un couple de 41 Nm chacun. Vérifiez ensuite que le tambour peut tourner librement.



9. Tapotez sur la clavette (pièce n° 12) afin de la placer dans sa rainure sur la tige (pièce n° 13). Appliquez une quantité généreuse de graisse sur l'épaulement de l'arbre d'entrée (pièce n° 13). Placez le ressort (pièce n° 49) sur l'extrémité cannelée de l'arbre. Utilisez de la graisse pour maintenir le ressort en place sur l'arbre. Insérez le ressort et l'extrémité cannelée de l'arbre dans le palier d'extrémité du moteur (pièce n° 10) et le tambour jusqu'à ce que l'arbre dépasse de la bague (pièce n° 16). Placez la rondelle de l'embrayage (pièce n° 33) sur l'extrémité cannelée de l'arbre et contre le ressort.

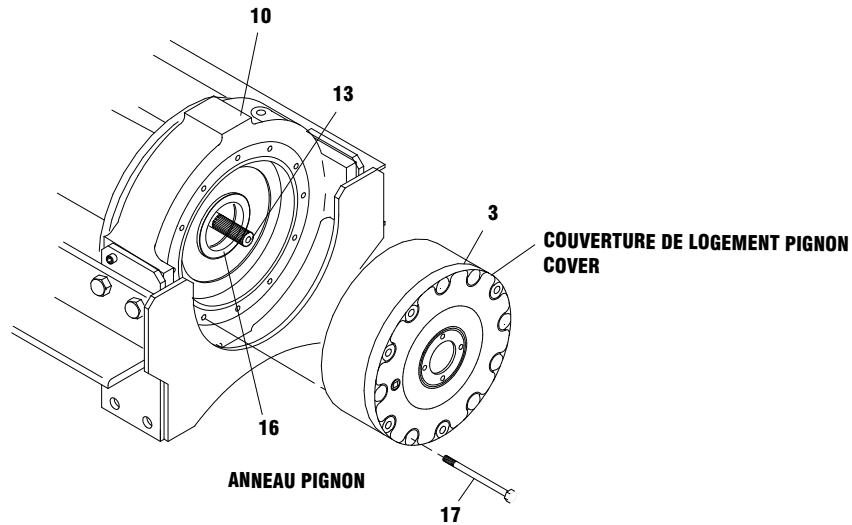
Placez l'extrémité de raccordement de sortie (pièce n° 9), avec les cannelures les plus longues, dans la bague du palier d'extrémité (pièce n° 16) et faites prendre la cannelure de raccordement de l'arbre sur l'extrémité cannelée de l'arbre. Placez l'extrémité cannelée courte de l'arbre d'embrayage (pièce n° 14) dans la rondelle (pièce n° 33) et dans le raccordement d'arbre (pièce n° 7), en faisant prendre les cannelures de l'arbre d'embrayage sur celles du raccordement d'arbre.





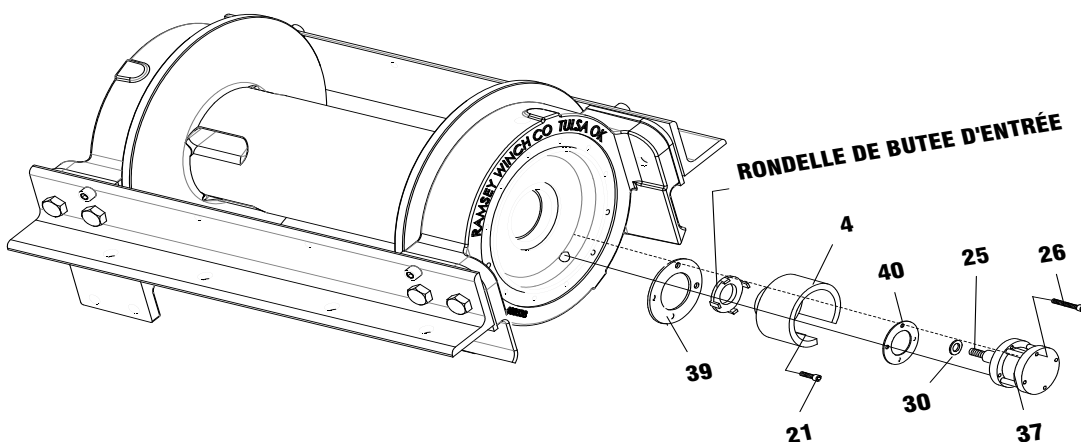
10. Appliquez un mastic d'étanchéité de vulcanisation à la température ambiante sur la surface de montage de la couronne du palier d'extrémité (pièce n° 10). Placez la couronne sur le palier d'extrémité, en alignant les trous de la couronne sur les trous du palier d'extrémité de la boîte d'engrenages. Fixez temporairement la couronne sur le palier d'extrémité au moyen de (2) vis d'assemblage. Placez deux porte-pignons dans la couronne en faisant prendre les engrenages sur la couronne.

Retirez (2) vis d'assemblage temporaires, et assurez-vous que la couronne et les porte-pignons se trouvent bien contre le palier d'extrémité (pièce n° 10). Appliquez un mastic d'étanchéité de vulcanisation à la température ambiante sur la surface de montage de la couronne (pièce n° 3) et fixez le couvercle sur la couronne. Utilisez (12) vis d'assemblage (pièce n° 17) pour fixer le couvercle sur le palier d'extrémité de la boîte d'engrenages. Serrez les vis d'assemblage à un couple de 53 Nm chacune, en alternant en croix.



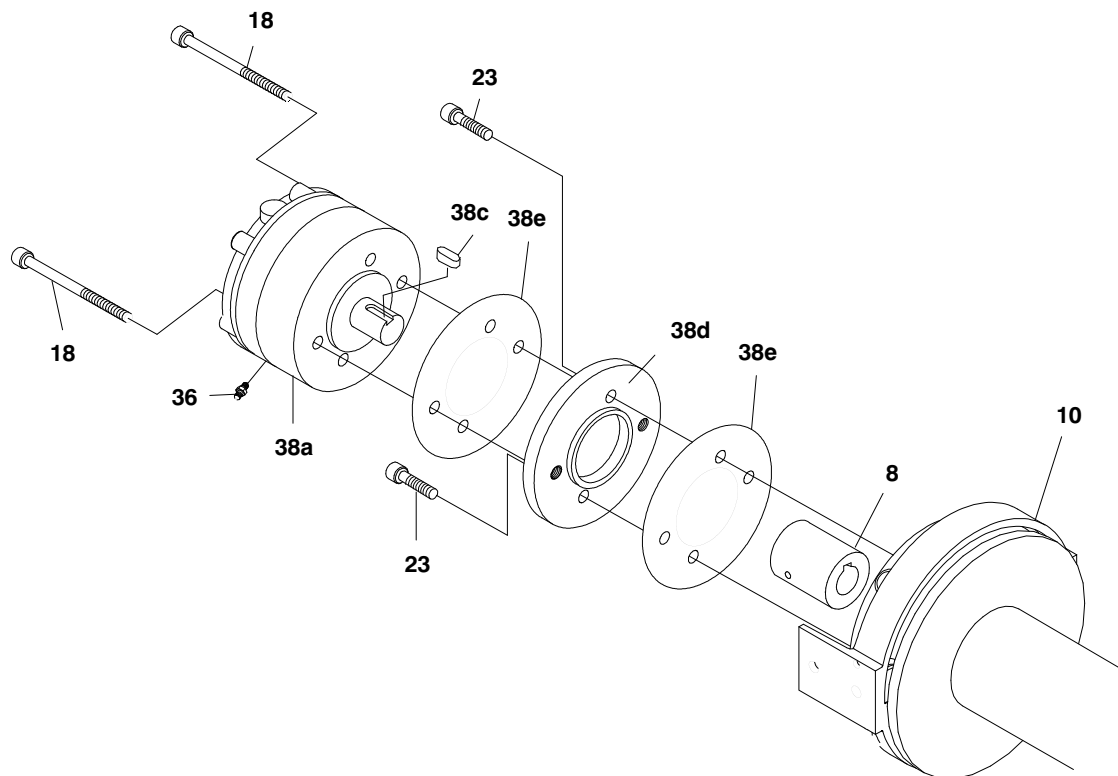
11. Faites glisser le planétaire d'entrée sur l'arbre d'embrayage (pièce n° 13) et faites le prendre sur les dents du porte-planétaire d'entrée. Appliquez de la graisse sur la rondelle de butée d'entrée et placez-la dans les fentes de l'adaptateur du cylindre pneumatique (pièce n° 4). Placez le joint statique (pièce n° 40) sur le couvercle de la boîte d'engrenages avec du produit d'étanchéité et fixez l'adaptateur sur le couvercle au moyen de (4) vis d'assemblage (pièce n° 21). Appliquez du produit d'étanchéité PST Loctite sur les filets des vis d'assemblage. Serrez les vis d'assemblage à un couple de 18 Nm chacune, en alternant en croix.

Tirez la tige du cylindre pneumatique aussi loin que possible. Faites glisser la rondelle (pièce n° 30) sur la vis de pression (pièce n° 25) et contre l'écrou fixé sur la tige du cylindre pneumatique. Placez la vis de pression dans le trou de l'arbre d'embrayage (pièce n° 13). Fixez le cylindre pneumatique neuf (pièce n° 37) et le joint statique (pièce n° 40) avec du produit d'étanchéité, sur l'adaptateur au moyen de (4) vis d'assemblage (pièce n° 26). Appliquez du produit d'étanchéité PST Loctite sur les filets des vis d'assemblage. Serrez les vis d'assemblage à un couple de 7 Nm chacune, en alternant en croix.

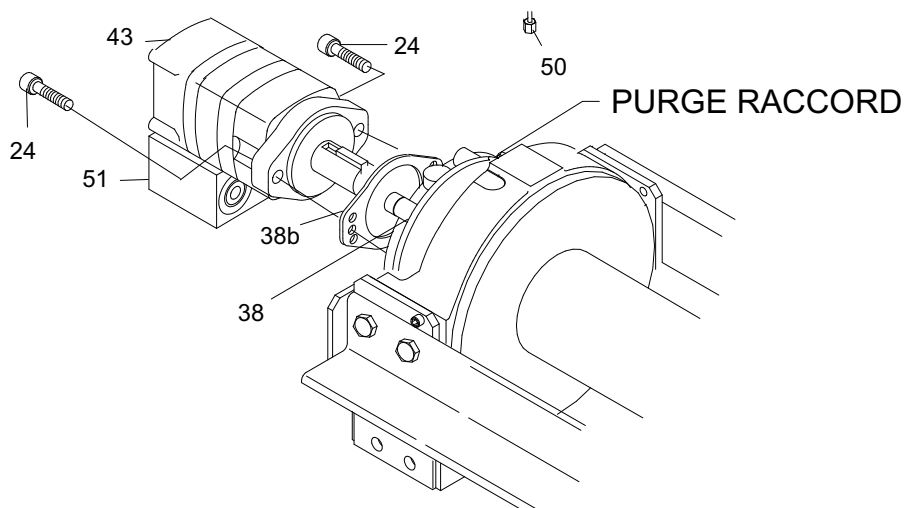


12. Alignez la rainure de clavette du raccordement avec la clavette à l'extrémité de l'arbre d'entrée à l'intérieur du palier d'extrémité. Faites glisser le raccordement sur l'extrémité de l'arbre. Placez le joint statique (pièce n° 38e) sur la surface de montage du moteur du palier d'extrémité (pièce n° 10). Utilisez (2) vis (pièce n° 23) pour fixer la plaque adaptatrice (pièce n° 38d) au palier d'extrémité du moteur. Serrez les vis d'assemblage à un couple de 115 Nm chacune. Placez le deuxième joint statique (pièce n° 38e) sur la plaque adaptatrice. Insérez l'arbre du frein avec la clavette (pièce n° 38c) dans le raccordement. Fixez à nouveau le frein (pièce n° 38a) sur la plaque adaptatrice au moyen des vis du frein (pièce n° 18). Serrez les vis d'assemblage à un couple de 132 Nm chacune.

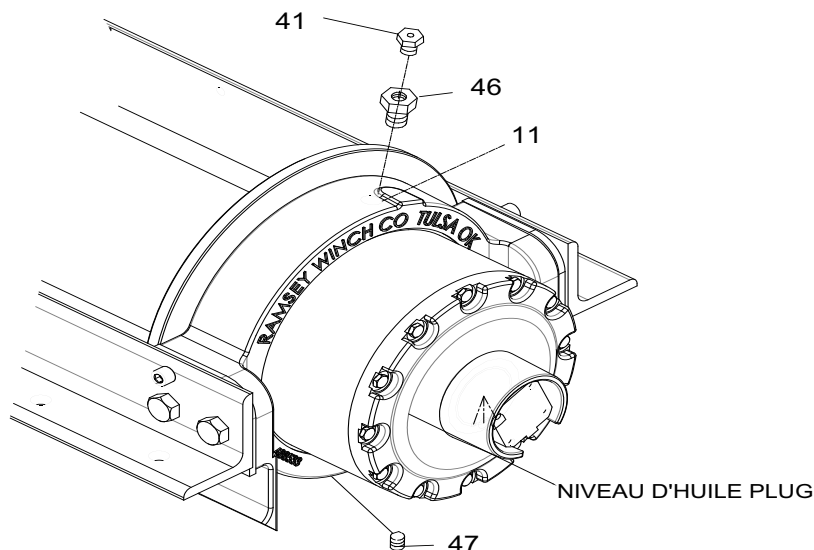
**Remarque :** il faut bien vérifier que le frein et la plaque adaptatrice sont placés correctement avant d'installer les boulons de montage (pièce n° 18). Dans le cas contraire, la tige du rotor et le circlip de l'arbre risquent d'être endommagés.



13. Fixez le moteur (pièce n° 43) avec un joint statique (pièce n° 38b) sur le frein (pièce n° 38). Utilisez (2) vis d'assemblage (pièce n° 24) et serrez-les à un couple de 100 Nm chacune. Raccordez fermement le tube (pièce n° 50) sur le coude (pièce n° 35) au bas de la valve et le raccord (pièce n° 36) au bas du frein (pièce n° 38).

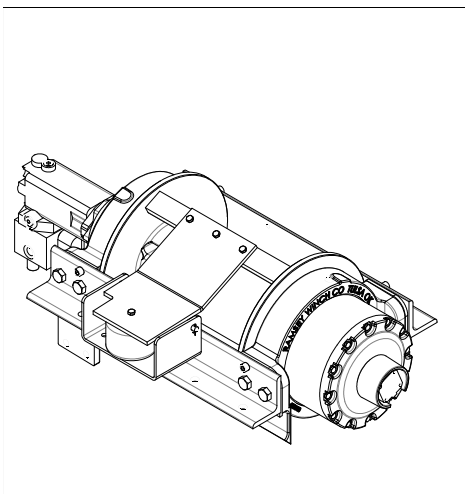


14. Appliquez du Permatex sur les filets du bouchon (pièce n° 47). Insérez le bouchon dans le trou taraudé au bas du palier d'extrémité de la boîte d'engrenages (pièce n° 11). Versez environ 1,2 l d'huile SAE 80W-140 dans le palier d'extrémité. Vérifiez le niveau d'huile en retirant le bouchon d'huile indiqué ci-dessous. Insérez le raccord de dégagement (pièce n° 41) et le réducteur de filet (pièce n° 46) dans le palier d'extrémité au niveau de l'orifice de remplissage d'huile. Installez le treuil et connectez les conduites de pression. Purgez la section d'échappement de la pression du frein en desserrant le raccord de purge sur le frein et en laissant l'air s'échapper, tout en appliquant progressivement la pression du système hydraulique sur le treuil (reportez-vous au raccord de purge à l'étape 13). Appliquez une pression d'au moins 15,9 bars pour relâcher le frein et vérifiez qu'il se relâche en observant si le tambour tourne.

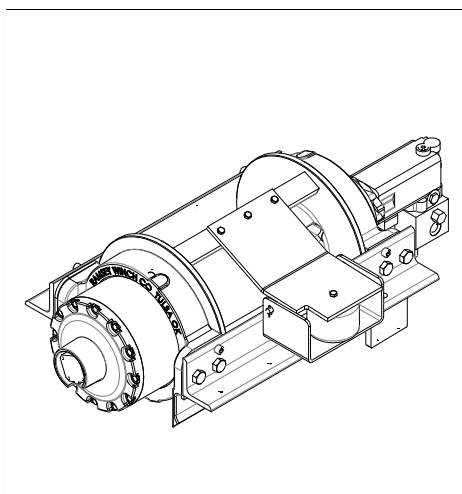


15. Vérifiez le fonctionnement de l'embrayage en appliquant une pression pneumatique au cylindre d'embrayage afin de désenclencher ce dernier. Vérifiez que le treuil tourne librement. Réenclenchez l'embrayage. Un bruit fort doit retentir lorsque l'embrayage s'enclenche. Le tambour du treuil ne doit pas tourner en roue libre. 16. Faites fonctionner le treuil en avant et en arrière pour vérifier que le tambour tourne.

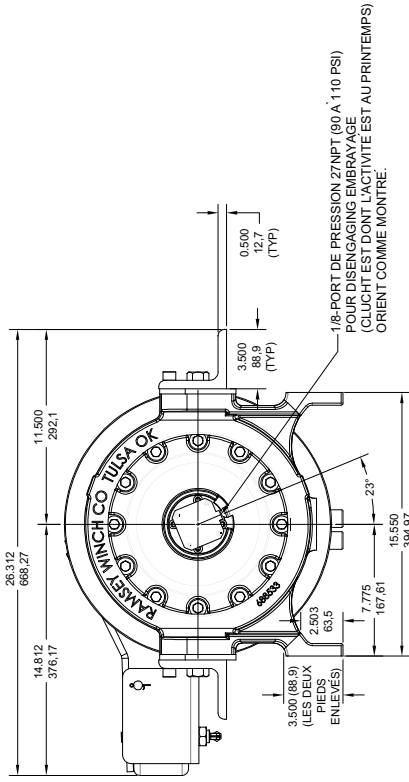
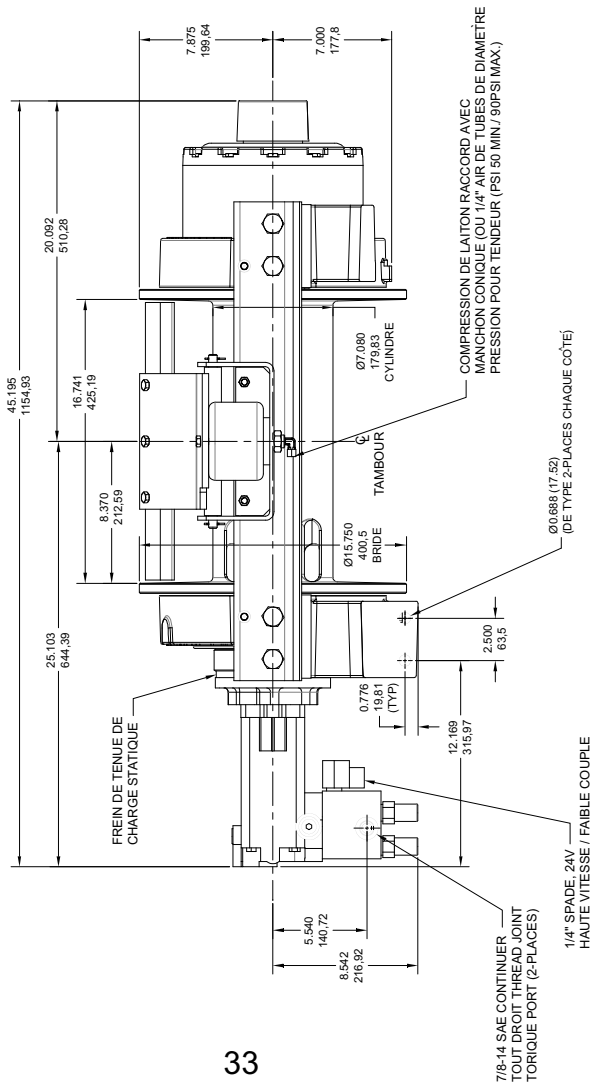
### CONFIGURATION DE MONTAGE DE TREUIL

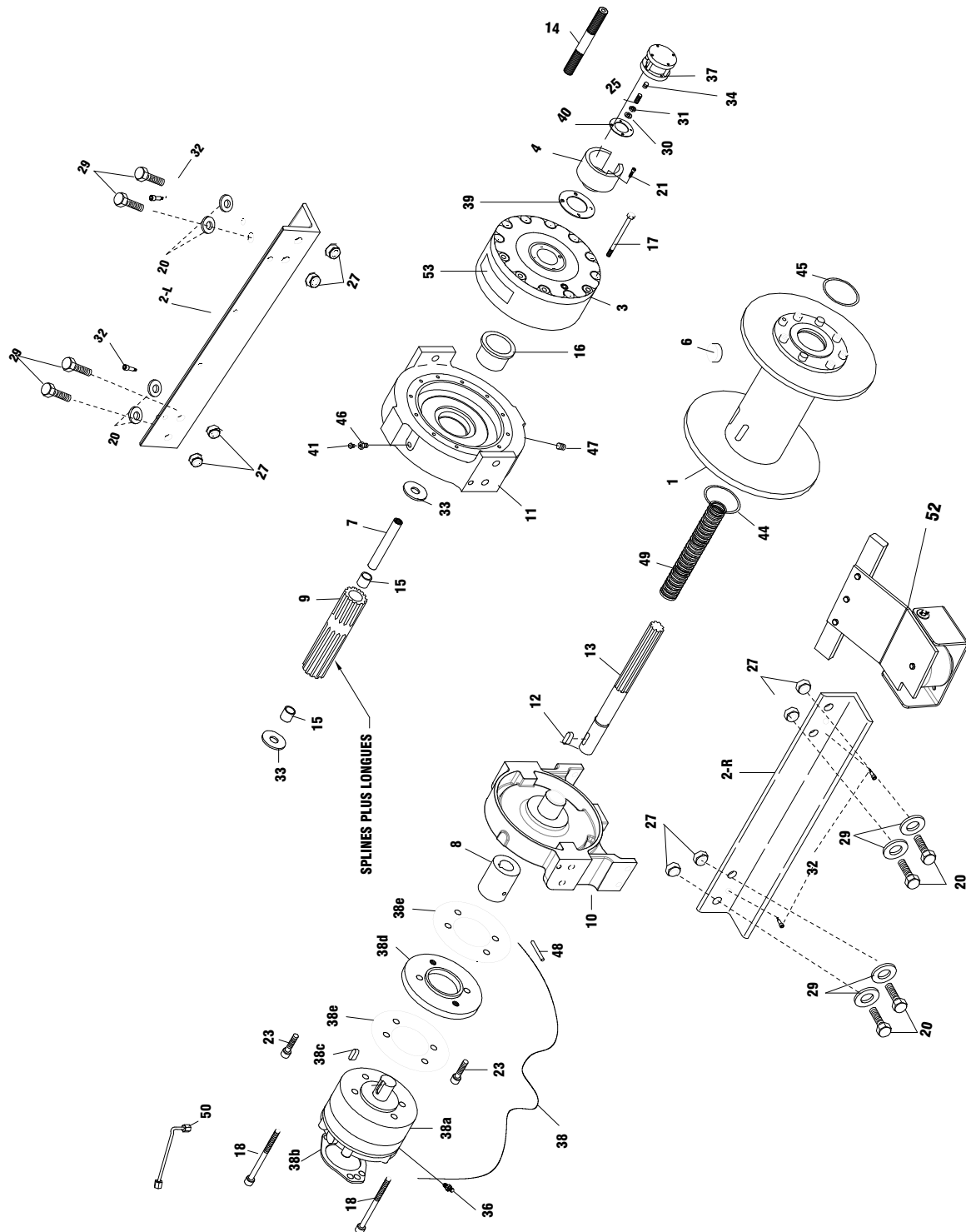


MONTAGE DE LA MAIN DROITE



MONTAGE DE LA MAIN GAUCHE





# LISTE DE RPH111, 2 DES PIÈCES

NUMÉRO DE PIÈCE	NUMÉRO D'ARTICLE	QUITÉ	Description de l'élément	NUMÉRO DE PIÈCE	NUMÉRO D'ARTICLE	QUITÉ	Description de l'élément
1	234225	1	ASSY-DRUM, RPH 133,4	31	418433	1	VERROU DE L'ÉCROU, 5/16-24NF X 3/16 THK.
2-L	303173	1	GEAR BOX ASSY-SUB-UP, RPH-30 000	32	418453	4	BOLT-ÉPAULE,.50 X.75 LG./ .375-16
2-R	303174	1	TENDEUR DE L'ASSEMBLÉE-AIR, ACTIONNEUR UNIQUE, TAMBOUR LONG	33	418462	2	INSERT-THREADED,.312-24NF, IPH-45000
3	296433	1	ADAPTEUR-AIR CYL, RPH-30 000, ALUN.	34	426045	1	RACCORD Parker # 4 - CSOX-S T-LOK, 7/16-20 90 degré
4	300069	1	ANGLE-MONTAGE, LH, RPH 133,4	35	432018	1	RACCORD-7/16-20, PARKER # 0503-4-4/EQ
5	474229	4	ANGLE-MONTAGE, RH, RPH 133,4	36	432023	1	AIR CYLINDRE EMBRAYAGE ENGAGER/DÉBRAYER RPH-30000
6	315010	1	CORDE ANCRE-RPH 133,4	37	433014	1	NOM DE LA BALISE ET DE DONNÉES RPH111, 2
7	324286	1	COUPLAGE-ARBRE, 1.375 DIA, RPH-30 000	38	438037	1	FREINS modulaire AUSCO # 76971, Rph30000 thru 50000
8	324287	1	COUPLAGE-MOTEUR, RPH-30 000	*39	442216	1	JOINT D'ÉTANCHÉITÉ-ADAPTATEUR, AIR CYL, CORK, #VCN-60
9	324288	1	COUPLAGE-SORTIE, RPH-30 000	*40	442217	1	JOINT D'ÉTANCHÉITÉ-AIR CYL, THK.031. CORK, RPH30
10	338356	1	FIN PORTANT-MOTEUR, PIED MTD. USINÉS, RPH 30/35.	41	456008	1	BALLE, Z/P.
11	338427	1	FIN portant-usinés, côté GEAR, RPH 133,4 & RPH 111,2	42	456038	1	RACCORD-VENT, CONDITIONNEMENT, #ASP-1BIV.POURCENTAGE/EQIV
12	342081	2	KEY-RD ENDS,5/16X5/16X1.5LG,HT,PURC	43	458101	1	MOTEUR-HYD.C-L # 104-2012,2000,2-VITESSE.
13	357535	1	ARBRE-INPUT, RPH 133,4 CHALEUR TREAT	*44	462013	1	QUAD-RING-2, 1 7/8ODX2/2IDX3/16Q433
14	358065	1	ARBRE-INPUT SHIFTER, RPH-30 000	*45	462050	1	366Y
15	402119	2	ROULEMENT-GARLOCK # 22DU16 OU EQUIV.	46	468004	1	RÉDUCTEUR-1/2-1/8NPTF, HEX, STL PLAINE
16	412086	1	DOUILLE POUSSÉE, ENGIN HSG, IPH-45000	47	468019	1	TUYAU PLUG-1/2-14NPTF, HEX SOC HD
17	414272	10	VIS-3/8-16NCX5, HXHD, GR5, 1/2 P/BLK	48	470089	1	ROULEAU DE PIN-UNBRAKO # 21-S-250-1875/EQUI
18	414595	2	CAPSCREW-3/8-24NF X4LG, HXHD, GR-5.	49	494108	1	SAC EN PLASTIQUE, 9 X 12, MANUEL DU PROPRIÉTAIRE, ETC.
20	414778	8	CAPSCREW-1/2-13NC x 3-1/2 LONG, HX SOC HD, GR8, finir d'oxyde noir	50	509125	1	PLAQUE D'ESPACEMENT-TIE, GRAND TAMBOUR DE BRIDE, RPH 30/35
21	414400	4	CAPSCREW-3/4-10NC X 2 1/4LG, HXHD, GR-5	51	516065	1	PRINTEMPS-EMBRAYAGE LEVIER DE VITESSES, .192DIA, RPH30
21	472059	1	CAPSCREW-3/8-16NCX2 1/2, HXSOCHD	52	299755	1	ASSEMBLÉE-TUBE, LIBÉRATION DE FREIN HYDRAULIQUE, AUSCO FREIN
22	414935	3	CAPSCREW-1/2-13NC X 1 LG, HEX SOC HD	53	434737	1	PAC PREUVE ANTI-SABOTAGE
23	414947	2	CAPSCREW-1/2-13NCX1 1/4LG, SOCKET HD	54	914217	1	CE MANUEL-RPH 133,4 DU PROPRIÉTAIRE (EN 14492 - 1).
24	414948	2	SETSCREW-5/16-24NF X 1, SOCHD, COUPE	55	251310	1	MULTILINGUE EN DÉCALCOMANIE KIT RPH111, 2
25	416051	1	VIS-# 10-24NC X 2 1/2, HXSOCHD	56	911170	1	INSTALLATION MANUELLE POUR RPH111, 2
26	416233	4	NOIR-3/4 ID MED SECTE, ZINC PLT	57	472059	1	ASSEMBLY-AIR TENSIONER, SINGLE ACTUATOR, LONG DRUM
29	418249	8	EMBAYAGE LAVÉUSE 2.125 OD X.878 ID X.070				
30	418432	1	LAVÉUSE-POUSSÉE, NYLATRON, 5/16 ID				

\* CES ÉLÉMENTS FONT PARTIE DU SCEAU ET LE JOINT D'ÉTANCHÉITÉ KIT # 246046. ÉGALEMENT INCLUS SONT (3) TORIQUES UTILISÉES DANS DRUM ENSEMBLE 234225, SE RÉFÉRER À LA PAGE 7.

14. Appliquez du Permatex sur les filets du bouchon (pièce n° 47). Insérez le bouchon dans le trou taraudé au bas du palier d'extrémité de la boîte d'engrenages (pièce n° 11). Versez environ 1,2 l d'huile SAE 80W-140 dans le palier d'extrémité. Vérifiez le niveau d'huile en retirant le bouchon d'huile indiqué ci-dessous. Insérez le raccord de dégagement (pièce n° 41) et le réducteur de filet (pièce n° 46) dans le palier d'extrémité au niveau de l'orifice de remplissage d'huile.

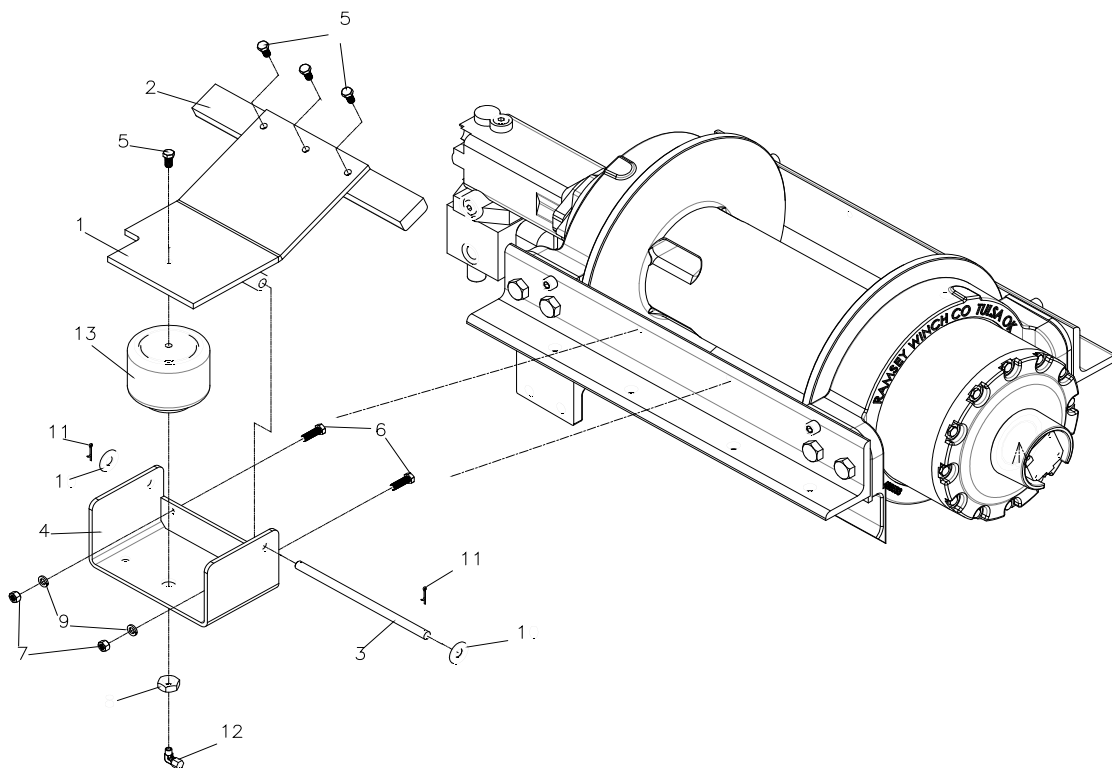
Installez le treuil et connectez les conduites de pression. Purgez la section d'échappement de la pression du frein en desserrant le raccord de purge sur le frein et en laissant l'air s'échapper, tout en appliquant progressivement la pression du système hydraulique sur le treuil (reportez-vous au raccord de purge à l'étape 13). Appliquez une pression d'au moins 15,9 bars pour relâcher le frein et vérifiez qu'il se relâche en observant si le tambour tourne.

15. Vérifiez le fonctionnement de l'embrayage en appliquant une pression pneumatique au cylindre d'embrayage afin de désenclencher ce dernier. Vérifiez que le treuil tourne librement. Réenclenchez l'embrayage. Un bruit fort doit retentir lorsque l'embrayage s'enclenche. Le tambour du treuil ne doit pas tourner en roue libre.
16. Faites fonctionner le treuil en avant et en arrière pour vérifier que le tambour tourne.

### **RÉVISION DU TENDEUR DE CÂBLE**

Reportez-vous au schéma des pièces du tendeur de câble à la page suivante pour le montage du tendeur de câble. Le tendeur de câble nécessite une alimentation en air indépendante et réglable entre 3,4 bars et 6,2 bars. **Ne faites pas fonctionner le treuil alors que le tendeur est sous tension et lorsque le tambour est à nu.** Le treuil ne doit fonctionner que s'il y a au moins un enroulement de câble autour du tambour lorsque le tendeur est sous tension.

1. Pour déposer le tendeur pneumatique du treuil, débranchez l'alimentation en air du tendeur. Retirez les vis d'assemblage (pièce n° 8), les rondelles de sécurité (pièce n° 11) et les écrous (pièce n° 9) qui fixent le tendeur sur le cadre du treuil. Démontez le tendeur comme indiqué à la page suivante et retirez toute pièce usée.
2. Remontez le tendeur. Montez le tendeur sur le cadre du treuil, en plaçant les entretoises (pièce n° 4) entre le support du tendeur et le cadre du treuil. Centrez la barre du tendeur (pièce n° 2) entre les collerettes du tambour en utilisant un ruban gradué ou une règle. Serrez les boulons de fixation à un couple de 102 Nm.
3. Installez le câble sur le tambour. Après avoir enroulé le câble plusieurs fois autour du tambour, branchez l'alimentation en air sur le raccord en T (pièce n° 14) pour mettre le tendeur sous tension contre le tambour. À mesure que le câble s'enroule autour du tambour, observez le tendeur pour vérifier qu'il tourne librement et qu'il ne touche pas la collerette du tambour.
4. Réglez l'alimentation en air jusqu'à ce que le câble ne s'emmêle pas lorsqu'il tourne en roue libre.



## LISTE DE PIÈCES POUR L'ASSEMBLÉE TENDEUR

ITEM NO	QTY	P/N	DESCRIPTION
1	1	265102	DES CONSTRUCTIONS SOUDÉES-BRAS DE LEVIER AIR TENDEUR
2	1	304190	BAR-AIR TENDEUR, RPH 133,4
3	1	346046	BROCHE-PIVOT, TENDEUR DE CÂBLE, RPH20/50
4	1	408362	CROCHET-AIR TENDEUR, USINÉE
5	4	414278	CAPSCREW-3/8-16NCX3/4LG, HXHD, Z/P, G5
6	2	414316	CAPSCREW-3/8-16NCX1 1/4, HXHD, Z/P, G5
7	2	418045	NOIX-3/8-16NC HEX REG GR.5MIN,ZINC P
8	1	418098	CONFITURE DE HEX NUT-3/4-1NF
9	2	418177	NOIR-3/8 SECTE MED, ZINGUÉ
10	2	418223	LAVEUSE-1/2 USS FLAT, ZINGUÉ
11	2	424005	GOUPILLE-1/8DIA X 1 LG
12	1	432033	RACCORD-AIR, 90 DEG.ELB # 169 C-4-2/EQ
13	1	433029	PRINTemps-AIR, POUR LE TENDEUR DE CÂBLE, ENIDINE YI-1 S 4-007



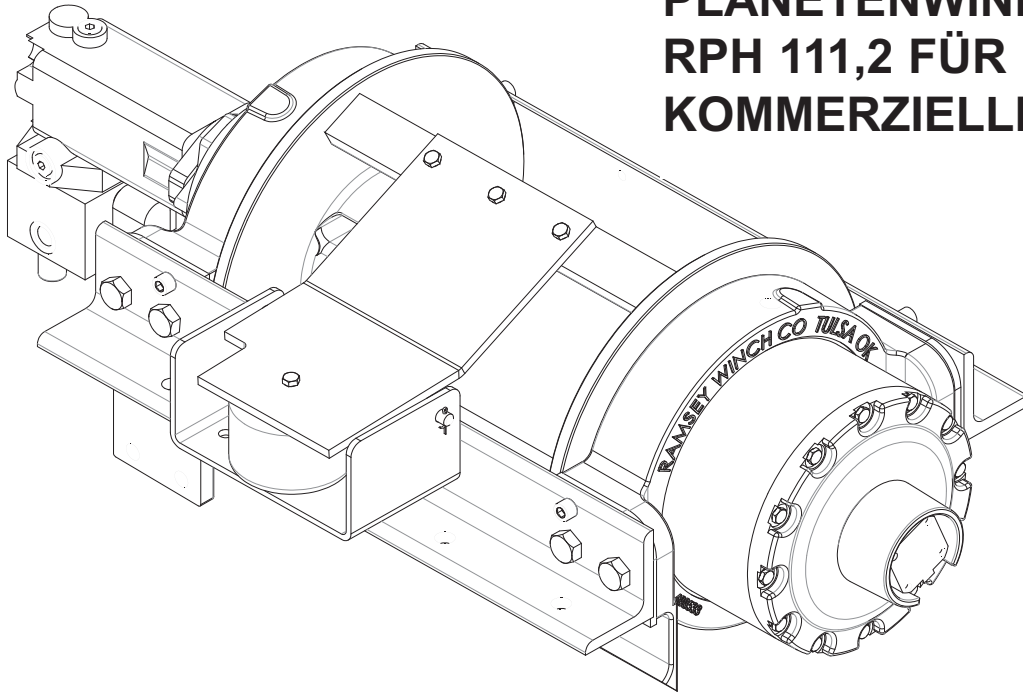




**BETRIEBS-,  
INSTANDHALTUNGS- UND  
WARTUNGSHANDBUCH**

English (Original Instructions) . . . . . 1  
Français (Traduction des instructions originales) . . 18  
Deutsch (Übersetzung der Originalanleitung) . . . . 38  
Español(Traducción de las instrucciones originales). 58

**PLANETENWINDE MODELL  
RPH 111,2 FÜR DEN  
KOMMERZIELLEN EINSATZ**



**Verwendungszweck: Fahrzeug-Abschlepp-/Bergungsarbeiten und Ziehen von Lasten**



**ACHTUNG: VOR DER INSTALLATION UND INBETRIEBNAHME DER WINDE MUSS  
DIESES HANDBUCH GELESEN UND VERSTANDEN WERDEN. SIEHE WARNHINWEISE!**

**RAMSEY WINCH COMPANY**

P. O. Box 581510 - Tulsa, OK 74158-1510, USA  
Telefon: +1 (918) 438-2760 Fax: +1 (918) 438-6688  
Besuchen Sie uns: <http://www.ramsey.com>

**Ramsey Bevollmächtigter in der Europäischen Union:  
(Bitte nur bei Regulierungsfragen kontaktieren.)**

Alura Group BV  
P.O. Box 18626  
2502 EP The Hague  
The Netherlands  
Tel: (31) (0) 70 362-4896  
Fax: (31) (0) 70 346-7299

# INHALTSVERZEICHNIS

INHALTSVERZEICHNIS .....	39
WARNHINWEISE .....	39
BENUTZERVERANTWORTUNG FÜR CE-COMPLIANCE .....	39
HYDRAULIKANFORDERUNGEN .....	40
LEISTUNGSDIAGRAMME .....	40
KUPPLUNGSBETRIEB .....	41
MONTAGE DES WINDEN-ANBAURAHMENS .....	41
INSTALLATION DES SEILS .....	41
WINDENBETRIEB .....	41
WARTUNG .....	42
AUSSERBETRIEBSSETZUNG .....	42
FEHLERSUCHE .....	42
ANLEITUNG ZUM ÜBERHOLEN .....	43-50
MONTAGEKONFIGURATIONEN .....	50
MASSZEICHNUNGEN .....	51-52
TEILELISTE UND TEILEZEICHNUNG .....	53-54
SEILSPANNER - ÜBERHOLUNG UND INSTALLATION .....	55
SEILSPANNER - TEILELISTE UND TEILEZEICHNUNG .....	56
EG-KONFORMITÄTSERKLÄRUNG .....	57

## TECHNISCHE DATEN\*

Eerste laag lijn Pull.....		111,2 kN (25000 lb)			
Geluidsniveau.....		76 db			
Ambient temperatuurbereik.....		-28C to 60C (-20 to 140F)			
Vermindering van de versnelling.....		31.89:1			
Gewicht (zonder touw).....		261 kg (575 lb)			
Laag van touw		1	2	3	4
Lijn Pull per laag	kN	111,2	95,2	83,6	74,2
	lb	25,000	21,400	18,800	16,700

* Touw capaciteit per laag	m	13	30	50	73
	ft	45	100	165	240
* Lijnsnelheid op à 56,7 LPM (15 GPM)	MPM	5,5	6,3	7,2	8,5
	FPM	18	21	24	28
* Deze specificaties zijn gebaseerd op aanbevolen 16 mm (.63 inch) Bridon Dyform 34LR/PI/Max 1960 rang draadkabel of equivalent met minimale breken kracht van 222,4 kN (50,000 lb) en een 157 cc (9.6 in cu) / Rev. motor.					

HINWEIS: DIE OBEN AUFGEFÜHRTE BEWERTUNGEN SIND DYNAMISCHE LASTEN AUF DER GRUNDLAGE VON 3.000 PSI BETRIEBSDRUCK.  
ERSTE SCHICHT STATIC RATINGS IST 24.000 KG AUF DER GRUNDLAGE VON 3.000 PSI BETRIEBSDRUCK.

## WARNHINWEISE:

**DER BENUTZER MUSS SICHERSTELLEN, DASS DAS BEDIENPERSONAL DIE ERFORDERLICHE SCHULUNG ERHÄLT. DER BEDIENER MUSS BEIM BETRIEB STETS DIE BEDIENUNGSANWEISUNGEN BEFOLGEN. FÜR DIE BREMSE IST EIN WEGE-VENTIL (MOTORWICKLUNGS-DURCHFLUSSSYSTEM) ERFORDERLICH. VOR BEGINN DES WINDENBETRIEBS MUSS SICHERGESTELLT WERDEN, DASS DIE KUPPLUNG VOLLSTÄNDIG EINGERÜCKT IST. DIE KUPPLUNG NICHT UNTER LAST AUSTRÜCKEN. NIEMALS UNTER ODER NEBEN ANGEHOBENEN LASTEN STEHEN. WÄHREND DES ZIEHENS EINEN SICHEREN ABSTAND ZUM SEIL EINHALTEN. NICHT VERSUCHEN, DAS SEIL ZU LENKEN. DIE WINDE NICHT ZUM HEBEN, TRAGEN ODER ANDERWEITIGEN TRANSPORT VON PERSONEN VERWENDEN. ZUM HALTEN DER LAST SIND MINDESTENS 2 SEILWICKLUNGEN UM DEN TROMMELZYLINDER NOTWENDIG. BEDINGUNGEN VERMEIDEN, BEI DENEN SICH DIE LAST VERSCHIEBT ODER RUCKARTIGE BEWEGUNGEN VORKOMMEN. ÜBERMÄSSIGEN „TIPPBETRIEB“ VERMEIDEN.**

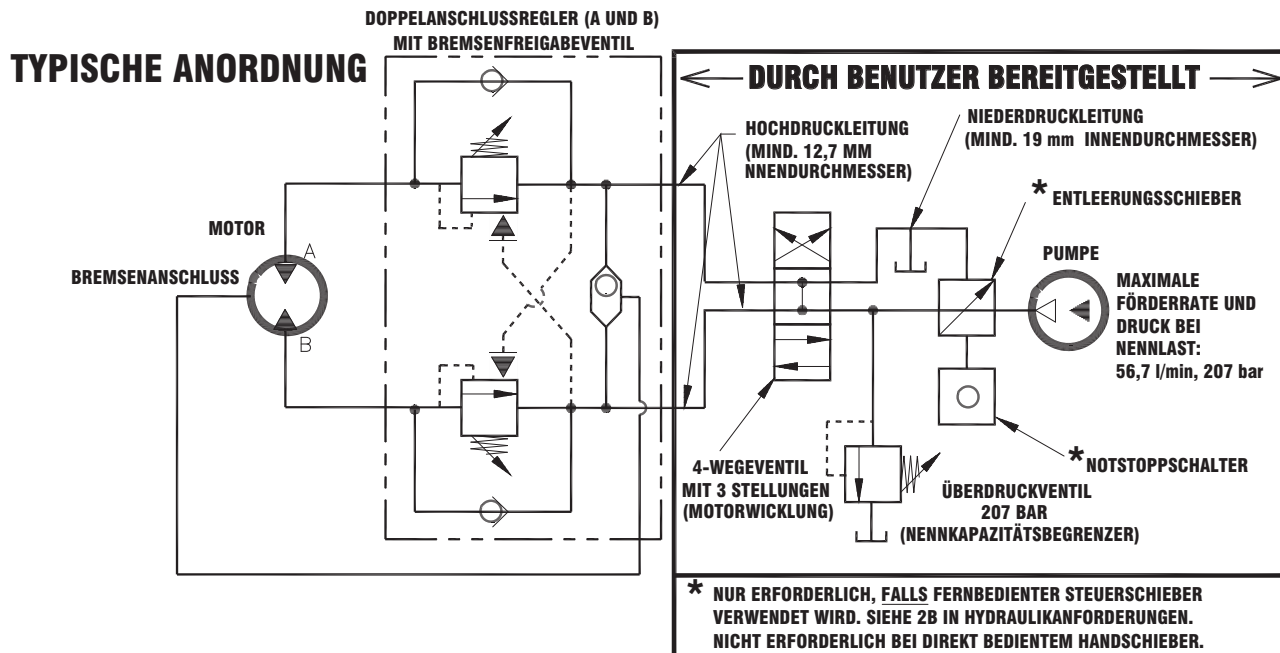
## BENUTZERVERANTWORTUNG FÜR CE-COMPLIANCE

1. Verwenden Sie nur ein motor (open Center) Steuerelement Schieberventil pro hydraulische Systemanforderungen.
2. Wenn ein externer Steuerung Winde-Regelventil verwendet wird, finden Sie unter hydraulische System-Anforderungen für Not-Halt-Komponenten installiert werden.
3. Erleichterung der Systemdruck pro hydraulische Systemanforderungen anpassen
4. Mount Winde pro Winch Montage Anweisungen.
5. 16 Mm (63 cm), Bridon DyForm 34LR/PI/Max 1960 Klasse Drahtseil oder kalkulierter mit minimalen Bruchfestigkeit 222,4 KN (50.000 Pfund) draht Seil zu installieren. Maximale Zugseillänge von 73 M (240) für maximal vier Schichten. Schließen Sie Seil an die Trommel pro Seil-Installationsanweisungen. Hook müssen eine Fallschutz und Bruchfestigkeit von 278 mindestens kN.

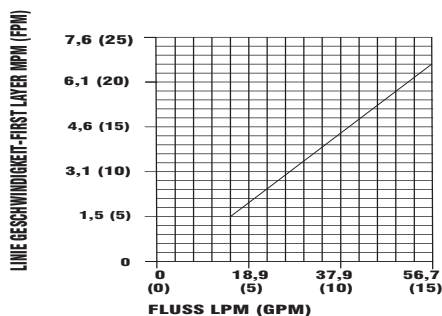
Zur richtigen Wahl der Hydraulik für die Leistung der Winde ist auf die folgenden Leistungsdiagramme Bezug zu nehmen. Die Diagramme zeigen: (1) Seilzugkraft (kN), erste Lage im Vergleich zum Arbeitsdruck (bar). (2) Seilgeschwindigkeit, erste Lage (m/min) im Vergleich zur Förderrate (l/min).

## HYDRAULIKANFORDERUNGEN

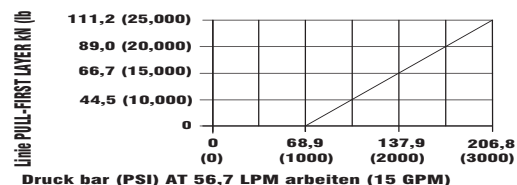
1. Wegeventil (Motor-Durchflusssystem) erforderlich
2. Notstopp:
  - A. Falls Winde durch einen direktbedienten Handschieber gesteuert wird, funktioniert dieser Schieber als Notstopp.
  - B. Wenn ein fernbedienter Steuerschieber verwendet wird, sind ein magnetgesteuerter hydraulischer Entleerungsschieber (normalerweise gegen den Tank geöffnet) und ein Notstoppschalter (zum Öffnen des Entleerungsschiebers) erforderlich. Der Notstoppschalter ist ein Öffnerkontakt und hat einen roten, rücksetzbaren Druckknopfschalter mit gelbem Hintergrund. Der Notstoppschalter muss für den Bediener einfach zugänglich sein.
3. Überdruckventil auf 207 bar eingestellt, entspricht dem Nennkapazitätsbegrenzer.
4. Maximale Förderrate von 56,7 l/min. 75,7 l/min nicht überschreiten, das ansonsten Motor und Winde beschädigt werden können.
5. Hydrauliköl mit einer Viskosität zwischen 20-43 cSt (100-200 SUS). Maximale Betriebstemperatur 85 °C. Sauberkeitsstufe ISO 17-14 oder besser.



## LEISTUNGSDIAGRAMME



**BASIEREND AUF 157 CM<sup>3</sup> (9,6 CU IN) MOTOR**



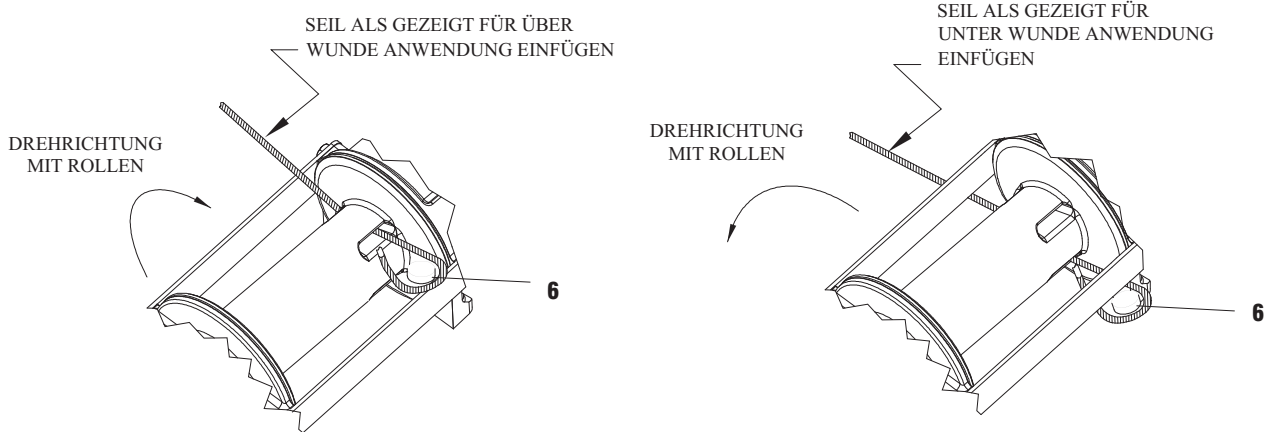
## MONTAGE DES WINDEN-ANBAURAHMENS

Für die Befestigung des Anbaurahmens am Bergungsfahrzeug müssen acht (8) Schrauben der Sorte 5 mit einem Mindestdurchmesser von 15,9 mm verwendet werden.

## INSTALLATION DES SEILS

Bei der RPH 111, 2 Winde sind zwei konische Taschen in die Seiltrommel gegossen. Eine Tasche wird für Installationen verwendet, bei denen das Drahtseil über die Trommel gewickelt wird. Die andere Tasche wird verwendet, wenn das Seil unter der Trommel durchgeführt wird.

1. Zum Abwickeln das Seil am Boden entlang auslegen, um ein Knicken zu vermeiden. Das dem Haken gegenüberliegende Seilende mit Plastik- oder ähnlichem Klebeband umwickeln, um ein Ausfransen zu verhindern.
2. Das Drahtseil durch das schmale Ende der Tasche bis gegen den Trommelflansch schieben und um den Anker-Puck wickeln. Dann das Drahtseil mit dem Anker in das weite Ende der Tasche ziehen. Mit einem Gummihammer auf die Rückseite des Drahtseils klopfen, bis Drahtseil und Anker fest in der Tasche sitzen.
3. Die Winde langsam in Aufwickelrichtung in Bewegung setzen. Das Seilende gespannt halten und das Seil vollständig auf die Seiltrommel aufwickeln. Darauf achten, dass sauber gewickelte Lagen entstehen.



## KUPPLUNGSBETRIEB

### Einrücken der Kupplung:

1. Den Kupplungssteuerschieber in die eingerückte Position stellen.
2. Bei Temperaturen unter null Grad immer zuerst den Motor in Seilabrollrichtung laufen lassen, bis sich die Trommel zu drehen beginnt.
  - 2a. Bei extrem tiefen Temperaturen (unter -18 °C) das Seil von Hand herausziehen, bis sich die Trommel zu drehen beginnt.
3. Mindestens 3 Sekunden warten, bis die Kupplung vollständig eingerückt ist. Danach ist die Winde zum Aufrollen des Seils bereit.

**WARNUNG:** Nicht versuchen, zum Einrücken der Kupplung zuerst den Windenmotor in Betrieb zu setzen und dann den Kupplungssteuerschieber bei laufendem Motor in die Einrückstellung zu stellen. Niemals gleichzeitig mit dem Einrücken der Kupplung das Aufnehmen der Last beginnen.

### Ausrücken der Kupplung:

1. Die Winde in Abwickelrichtung laufen lassen, bis das Seil von der Last befreit ist.
2. Den Kupplungssteuerschieber in die ausgerückte Position stellen.
3. Anschließend kann das Seil von Hand abgezogen werden.

## WINDENBETRIEB

Um mit der Funktion der Winde vertraut zu werden, sollten vor der tatsächlichen Verwendung Probeläufe durchgeführt werden. Probeläufe im Voraus planen. Beim Betrieb hören und sehen Sie die Winde. Werden Sie mit den Geräuschen vertraut, die bei einem leichten konstanten Zug, schweren Zug und bei ruckartigen Bewegungen oder Verschiebungen der Last zu hören sind. Nachdem Sie sich mit allen Funktionen der Winde vertraut gemacht haben, ist deren Bedienung sehr einfach. Ein ungleichmäßiges Spulen des Seils beim Ziehen einer Last stellt kein Problem dar, außer wenn sich das Seil an einem Trommelende anhäuft. In diesem Fall muss die Winde reversiert werden, um die Last vom Seil zu nehmen, und der Ankerpunkt weiter zur Fahrzeugmitte verschoben werden. Nach Gebrauch kann die Winde abgespult und das Seil in sauberen Lagen aufgewickelt werden.

## **WARTUNG**

Bei Einhaltung der folgenden Wartungsintervalle bleibt die Winde stets im optimalen Zustand mit maximaler Leistung und minimalem Reparaturaufwand.

### **A. WÖCHENTLICH**

1. Ölstand prüfen und ggf. bis zur Ölstandsschraube auffüllen. Bei einem Ölleck dessen Lage ausfindig machen und reparieren. Das Überdruckventil an der Oberseite des Getriebekastens überprüfen. Sicherstellen, dass es nicht verstopft ist.
2. Das Seil mit einem leichten Öl schmieren.

### **B. MONATLICH**

1. Die Befestigungsschrauben der Winde überprüfen. Fehlende Schrauben ersetzen und lockere Schrauben festziehen.
2. Nur Schrauben der Sorte 5 oder besser verwenden.
3. Das Seil inspizieren. Ein ausgefranztes oder beschädigtes Seil muss sofort ersetzt werden.

### **C. JÄHRLICH**

1. Das Öl mindestens jährlich wechseln, öfter bei häufigem Einsatz.
2. Die Winde bis zur Ölstandsschraube mit sauberem Kerosin auffüllen. Die Winde einige Sekunden lang ohne Last in Aufwickelrichtung laufen lassen. Das Kerosin aus der Winde ablassen.
3. Die Winde bis zur Ölstandsschraube mit Allzweckgetriebeöl SAE 80W-140 auffüllen.
4. Den Rahmen und die den Rahmen umgebende Struktur auf Risse und Verformungen überprüfen.

## **AUSSERBETRIEBSETZUNG**

Wenn das Ende der Lebensdauer der Winde erreicht ist, die Winde gemäß den vor Ort geltenden Umweltvorschriften entsorgen.

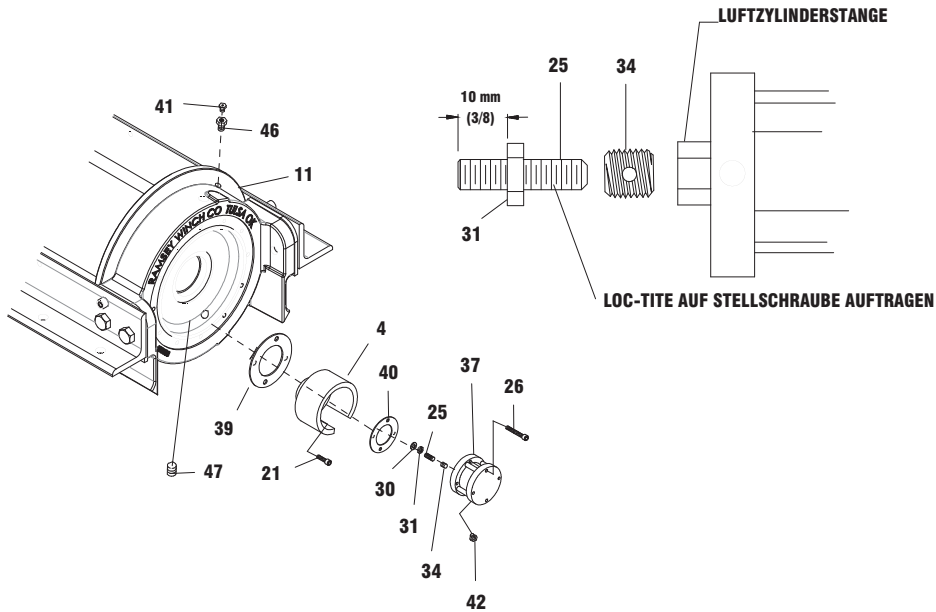
## **FEHLERSUCHE**

<b>ZUSTAND</b>	<b>MÖGLICHE URSACHE</b>	<b>ABHILFE</b>
<b>ÖL LECKT AUS DER WINDE</b>	<ol style="list-style-type: none"><li>1. Dichtungen beschädigt oder verschlissen.</li><li>2. Zu viel Öl.</li><li>3. Beschädigter Dichtring.</li></ol>	<ol style="list-style-type: none"><li>1. Dichtung ersetzen.</li><li>2. Überschüssiges Öl ablassen. Siehe BETRIEB.</li><li>3. Dichtring ersetzen.</li></ol>
<b>DIE WINDE LÄUFT ZU LANGSAM. HYDRAULIKSYSTEME.</b>	<ol style="list-style-type: none"><li>1. Niedrige Förderrate.</li><li>2. Hydraulikmotor ist abgenutzt.</li></ol>	<ol style="list-style-type: none"><li>1. Förderrate überprüfen. Siehe Flussdiagramm auf Seite 40.</li><li>2. Motor ersetzen.</li></ol>
<b>KEIN FREILAUF AN DER SEILTROMMEL</b>	<ol style="list-style-type: none"><li>1. Kupplung nicht ausgerückt.</li><li>2. Falls mit Luftspanner ausgerüstet, zu viel Spannung an Spannerstange.</li></ol>	<ol style="list-style-type: none"><li>1. Druckluft zum Kupplungszyylinder prüfen, Mindestdruck 6,2 bar - siehe Seite 40.</li><li>2. Luftdruck zu Spannerschaltern verringern.</li></ol>
<b>BREMSE KANN NICHT GELÖST WERDEN</b>	<ol style="list-style-type: none"><li>1. Lufteinschluss in der Hydraulik</li></ol>	<ol style="list-style-type: none"><li>1. Bremse entlüften. Siehe Seite 40.</li></ol>

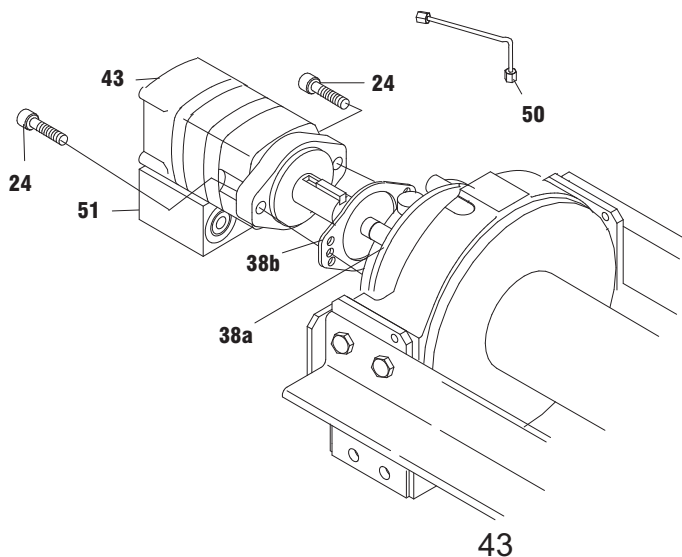
## ANLEITUNG ZUM ÜBERHOLEN

1. Das Öl aus dem Getriebekasten (Nr. 11) ablassen. Dazu den Stopfen (Nr. 47) aus dem Endlager entfernen. Reduzierstück und Überdruckventil (Nr. 41 und 46) entfernen.

Wenn der Luftzylinder ersetzt werden muss, den Luftzylinder (Nr. 37) durch Entfernen der vier (4) Kopfschrauben (Nr. 26) vom Adapter (Nr. 4) abnehmen. Den Entlüfter (Nr. 42) entfernen. Unterlegscheibe (Nr. 30), Mutter (Nr. 31), Stellschraube (Nr. 25) und Einsatz (Nr. 34) vom Ende der Luftzylinderstange abnehmen. Auf das Gewinde der Mutter (Nr. 31) Loc-tite auftragen und die Mutter bis zu 10 mm vor dem Antriebsende auf das Gewinde der Stellschraube (Nr. 25) aufschrauben (siehe unten). Auf das Gewinde der Stellschraube Loc-tite auftragen und den Einsatz (Nr. 34) auf die Stellschraube drehen und gegen die Mutter festschrauben. Unter Verwendung der Stellschraube und Mutter den Einsatz (Nr. 34) in das Ende der Luftzylinderstange schrauben. Die Mutter gegen die Zylinderstange festziehen, wobei zwischen dem Antriebsende der Stellschraube und der Mutter ein Abstand von 10 mm aufrechterhalten werden muss. Sicherstellen, dass der Entlüfter (Nr. 42) und das Überdruckventil (Nr. 41) nicht beschädigt sind und sich in gutem Zustand befinden. Ggf. entfernen und ersetzen. Den Luftzylinderadapter (Nr. 4) und den Dichtring (Nr. 40) durch Ausschrauben der vier (4) Kopfschrauben (Nr. 21) vom Getriebekasten (Nr. 20) entfernen.

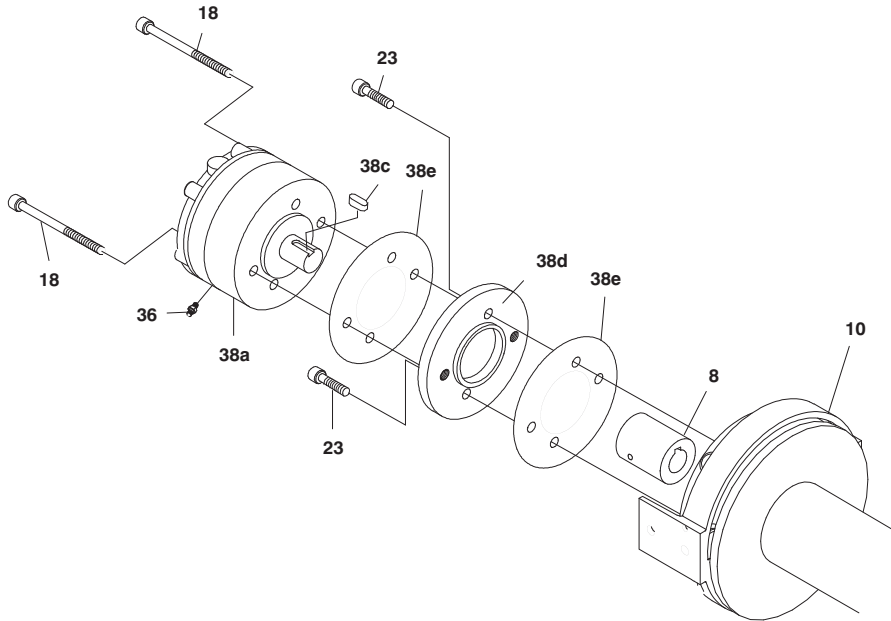


2. Das Rohr (Nr. 50) von Kniestück (Nr. 35) und Ventil (Nr. 36) am Boden der Bremse (Nr. 38) trennen. Den Motor (Nr. 43) und den Dichtring (Nr. 38) durch Entfernen der 2 Kopfschrauben (Nr. 24) ausbauen. Das Ventil (Nr. 51), falls notwendig, durch Lösen der 3 Kopfschrauben (Nr. 22) (nicht abgebildet) vom Motor abnehmen.

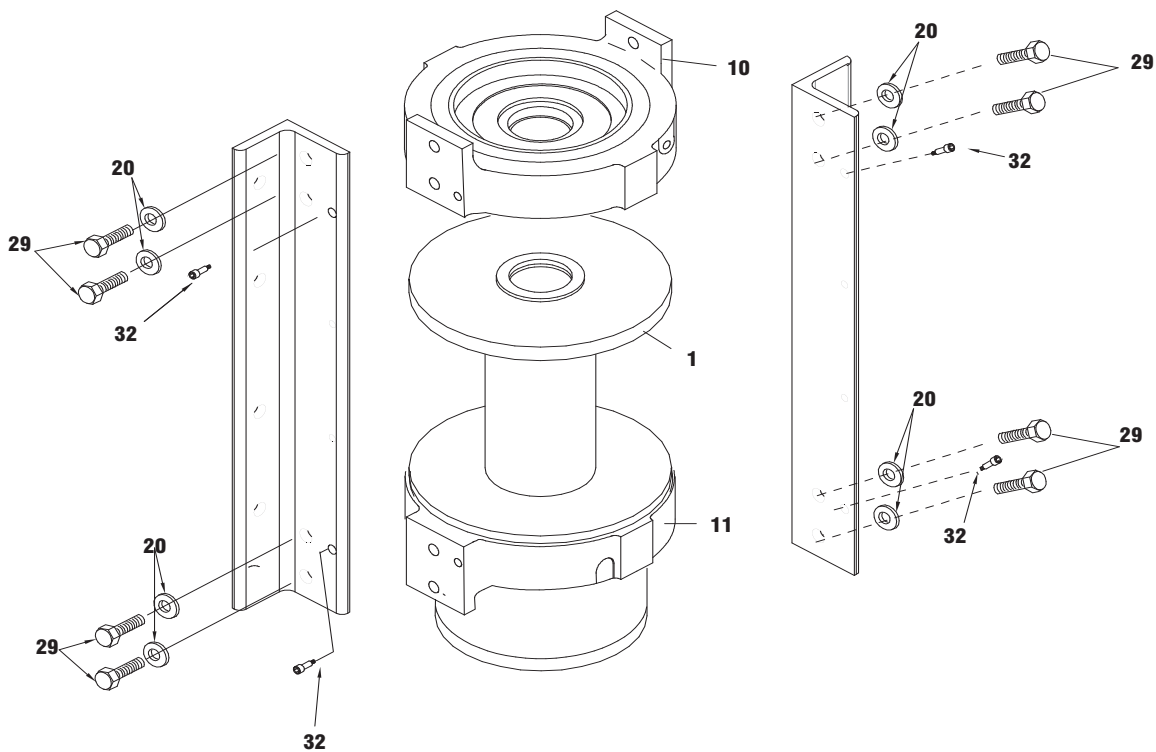




3. Die Schrauben der Bremsenbaugruppe (Nr. 18) entfernen, um auf die zwei 2 Befestigungsschrauben (Nr. 23) zuzugreifen, die die Bremsenadapterplatte (Nr. 38d) am Endlager (Nr. 10) befestigt.  
**ACHTUNG: Bremse ist durch Kupplungsfeder federbetätigt und muss beim Entfernen der Befestigungsschrauben (Nr. 23) gegen das Endlager zurückgehalten werden.** Kupplung (Nr. 8) und Dichtring (Nr. 38e) vom Endlager entfernen. Auf die Zusammensetzung der Teile achten, damit diese wieder richtig zusammengesetzt werden.



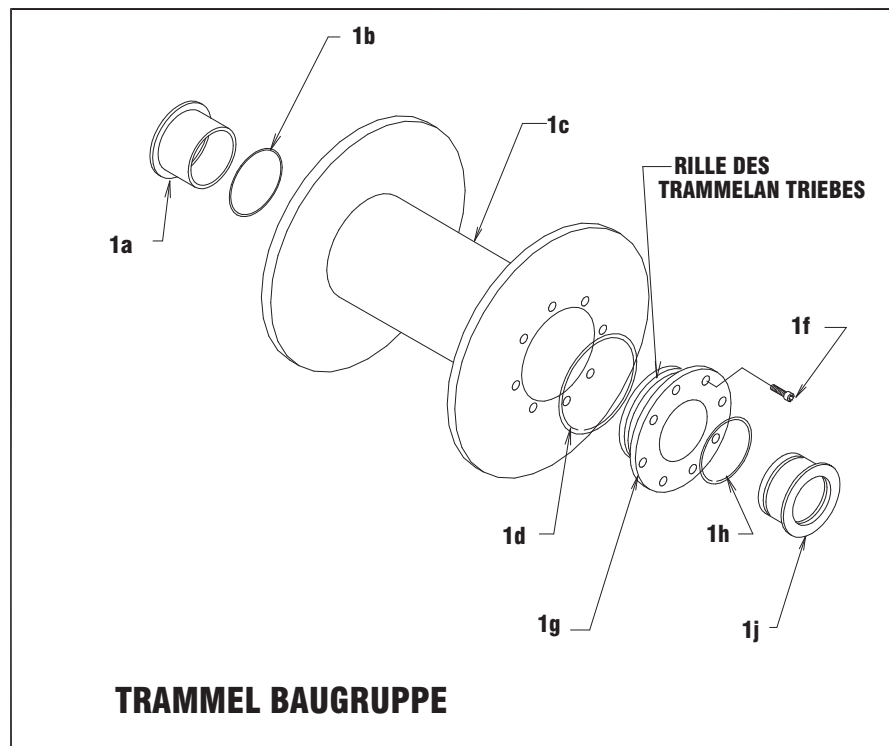
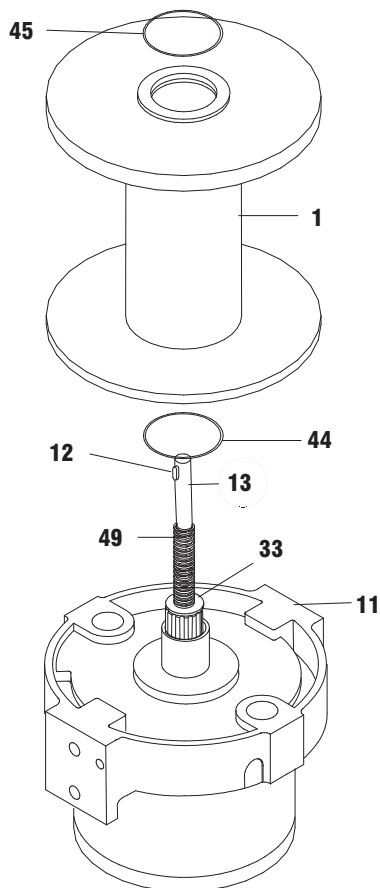
4. Winde aus Rahmen zu entfernen, entfernen # und #. Entfernen Sie die acht 8-Kopf-Schrauben (Nr. 20), acht 8 Unterlegscheiben (Nr. 29) und vier 4-Schulter-Schrauben (Nr. 32). Die Suchmaschinen-Position (Nr. 10) von der Trommel-Montage-Punkt 1.



5. Die Trommelbaugruppe (Nr. 1) nach oben aus dem Endlager (Nr. 11) ziehen. Die Vierlippendichtungen (Nr. 44 und 45) aus den Rillen in den Seiltrommelbuchsen entfernen. Antriebswelle (Nr. 13), Kupplungsfeder (Nr. 49) und Unterlegscheibe (Nr. 33) aus dem Endlager (Nr. 11) entfernen. Den Keil (Nr. 12) der Antriebswelle auf Anzeichen von Verschleiß untersuchen und ggf. ersetzen.

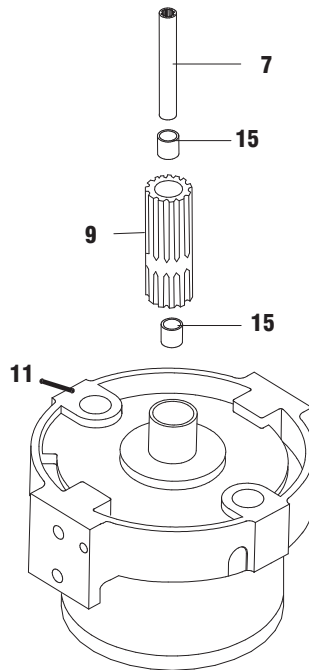
Die Seiltrommelbaugruppe (Nr. 1) auf Anzeichen von Verschleiß untersuchen. Wenn die Keile im Seiltrommelantrieb (Nr. 1) beschädigt sind, müssen sie ersetzt werden. Zum Ausbauen des Seiltrommelantriebs (Nr. 1g) die acht (8) Kopfschrauben (Nr. 1f) entfernen. Einen gut geölte O-Ring (Nr. 1d) in die Rille des Seiltrommelantriebs legen und den Antrieb mit acht (8) Kopfschrauben (Nr. 1f) an der Seiltrommel (Nr. 1c) befestigen. Die Kopfschrauben (Nr. 1f) über Kreuz auf 163 Nm festziehen.

Die alten Buchsen (Nr. 1a) und (Nr. 1j) aus der Seiltrommel (Nr. 1c) und aus dem Trommelantrieb (Nr. 1g) stemmen. Die O-Ringe (Nr. 1b und 1h) aus den Rillen der Seiltrommel (Nr. 1c) und der Trommelantriebsbuchse (Nr. 1j) herausnehmen. Gut geölte O-Ringe (Nr. 1b und 1h) in die Rillen der Seiltrommel (Nr. 1c) und die Außenrillen der Trommelantriebsbuchse (Nr. 1j) drücken. Eine neue Buchse (Nr. 1a) in das dem Trommelantrieb (Nr. 1g) gegenüberliegende Ende der Seiltrommel (Nr. 1c) pressen und die Buchse (Nr. 1j) in den Trommelantrieb (Nr. 1g) pressen, bis die Flansche der Buchse gegen die



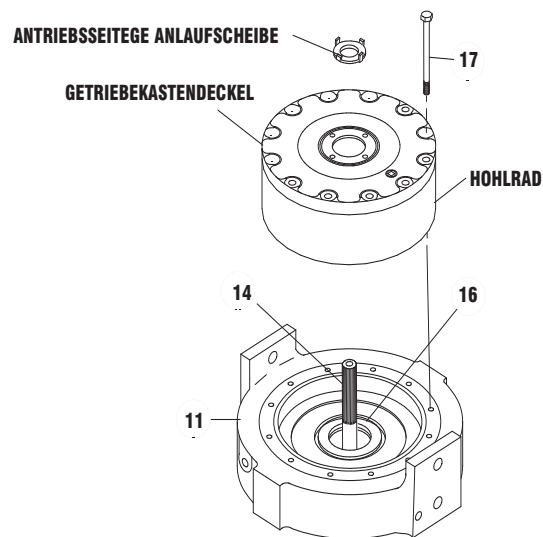
Seiltrommel (Nr. 1c) und den Antrieb (Nr. 1g) anliegen.

- Die Abtriebskupplung (Nr. 9) und die Kupplungswelle (Nr. 7) vom Endlager (Nr. 11) ausbauen. Die in die Abtriebskupplung (Nr. 9) gepressten Lager (Nr. 15) auf Anzeichen von Verschleiß untersuchen. Die Lager ggf. ersetzen. Dazu die alten Lager aus der Kupplung stemmen und neue Lager (Nr. 15) an beiden Enden



der Abtriebskupplung (Nr. 9) einpressen. Die Kupplungswelle (Nr. 7) in die Lager (Nr. 15) stecken.

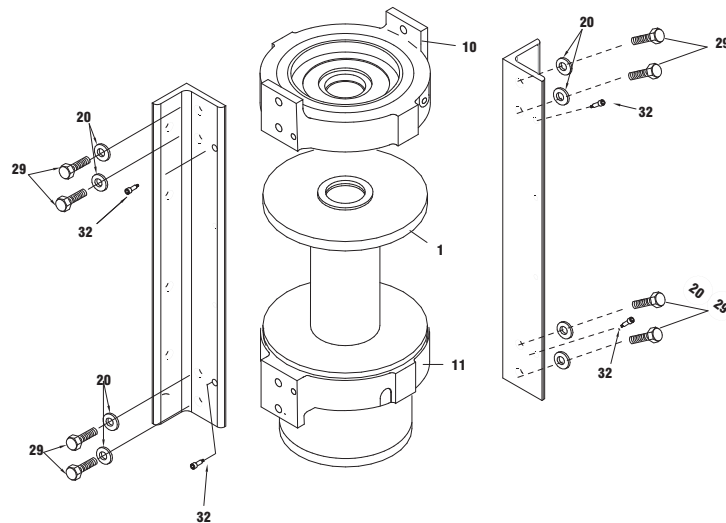
- Zwölf (12) Kopfschrauben (Nr. 17) abnehmen und den Getriebekastendeckel aus dem Hohlrad ziehen. Die antriebsseitige Anlaufscheibe, das Sonnenrad und die Trägerbaugruppen aus der Innenseite des Hohlrads entfernen. Das Hohlrad aus dem Endlager (Nr. 11) ausbauen. Die Kupplungshebelwelle (Nr. 14) auf Anzeichen von Verschleiß überprüfen und ggf. ersetzen. Die Buchse (Nr. 16) auf Anzeichen von Verschleiß überprüfen. Falls die Buchse ersetzt werden muss, diese aus dem Gehäuse stemmen und eine



neue Buchse einpressen.

8. **ANMERKUNG: VOR DEM BEFESTIGEN DES AUFRECHTEN RAHMENS AN DER WINDE DIE MONTAGEKONFIGURATION (RECHTS- ODER LINKSSEITIGE MONTAGE) BESTIMMEN, UM SICHERZUSTELLEN, DASS DIE TEILE AUF DER RICHTIGEN SEITE MONTIERT WERDEN (SIEHE MONTAGEKONFIGURATIONEN, SCHRITT 16, AUF SEITE 50).**

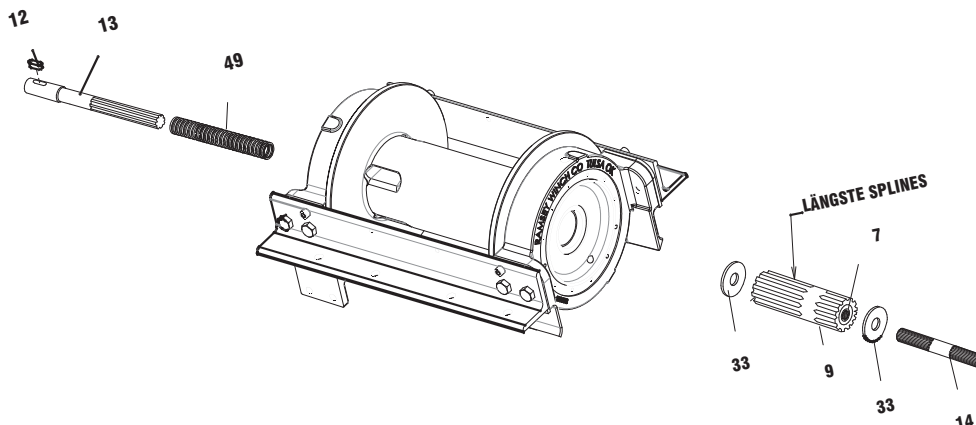
Die vier (4) Schulterschrauben auf 41 Nm festziehen. Sicherstellen, dass die Seiltrommelbaugruppe an diesem Punkt fDie Trommelbaugruppe (Nr. 1) vorsichtig auf das motorseitige Lager (Nr. 10) setzen. Das Getriebekasten-Endlager (Nr. 11) anheben und auf die Seiltrommel setzen. Den aufrechten Rahmen (Nr. 2) an den Endlagern anbringen. Vier (4) Schulterschrauben (Nr. 32) installieren und handfest anziehen. Acht (8) Kopfschrauben mit Sicherungsscheiben (Nr. 20 und 29) installieren. Die vier (4) innersten Kopfschrauben festziehen und die Drehung der Seiltrommel überprüfen. Die vier (4) äußersten Kopfschrauben festziehen und die Drehung der Seiltrommel überprüfen. Die Kopfschrauben, zuerst die innersten und dann die äußersten, auf 339 Nm festziehen. Die vier (4)



Schulterschrauben auf 41 Nm festziehen. Sicherstellen, dass die Seiltrommelbaugruppe an diesem Punkt frei drehen lässt. rei drehen lässt.

9. Den Keil (Nr. 12) sorgfältig in die Keilnut der antriebsseitigen Welle (Nr. 13) klopfen. Auf den Ansatz der Antriebswelle (Nr. 13) reichlich Schmierfett auftragen. Die Feder (Nr. 49) auf das Ende der Welle mit den Keilen schieben. Zum Halten der Feder an der Welle Schmierfett auftragen. Feder und das Ende der Welle mit den Keilen durch das motorseitige Lager (Nr. 10) und die Seiltrommel schieben, sodass die Welle durch die Buchse (Nr. 16) hindurch ragt. Die Kupplungsunterlegscheibe (Nr. 33) auf das Keilende der Welle bis gegen die Feder schieben.

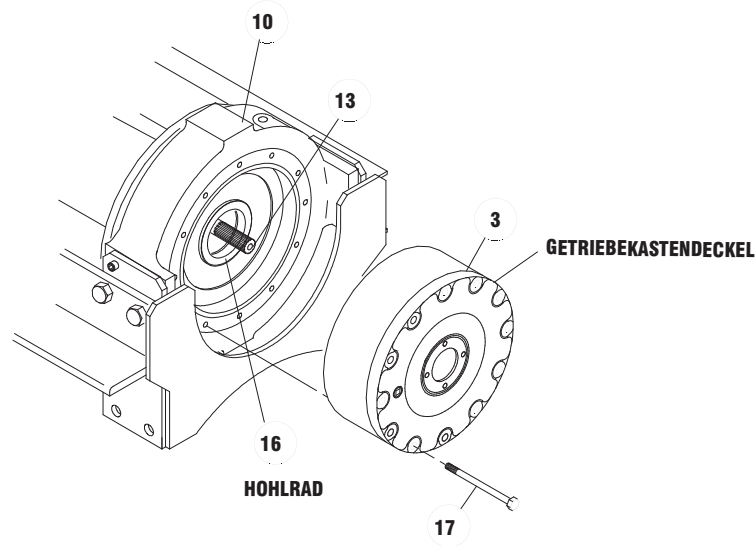
Das Ende der Abtriebskupplungsbaugruppe (Nr. 9) mit den längsten Keilen durch die Endlagerbuchse (Nr. 16) stecken und den Wellenkupplungskeil mit dem verkeilten Ende der Welle in Eingriff bringen. Das mit den



kurzen Keilen versehene Ende der Kupplungshebelwelle (Nr. 14) durch die Unterlegscheibe (Nr. 33) hindurch in die Wellenkupplung (Nr. 7) stecken und die Keile der Kupplungswelle mit den Keilen der Wellenkupplung in Eingriff bringen.

10. RTV-Dichtmittel (RTV=bei Raumtemperatur ausvulkanisiert) auf die Montagefläche zwischen Hohlrad und Endlager (Nr. 10) auftragen. Das Hohlrad auf das Endlager stecken und die Löcher im Hohlrad auf die Löcher im Endlager des Getriebekastens ausrichten. Unter Verwendung von zwei (2) Kopfschrauben das Hohlrad vorübergehend am Endlager befestigen.

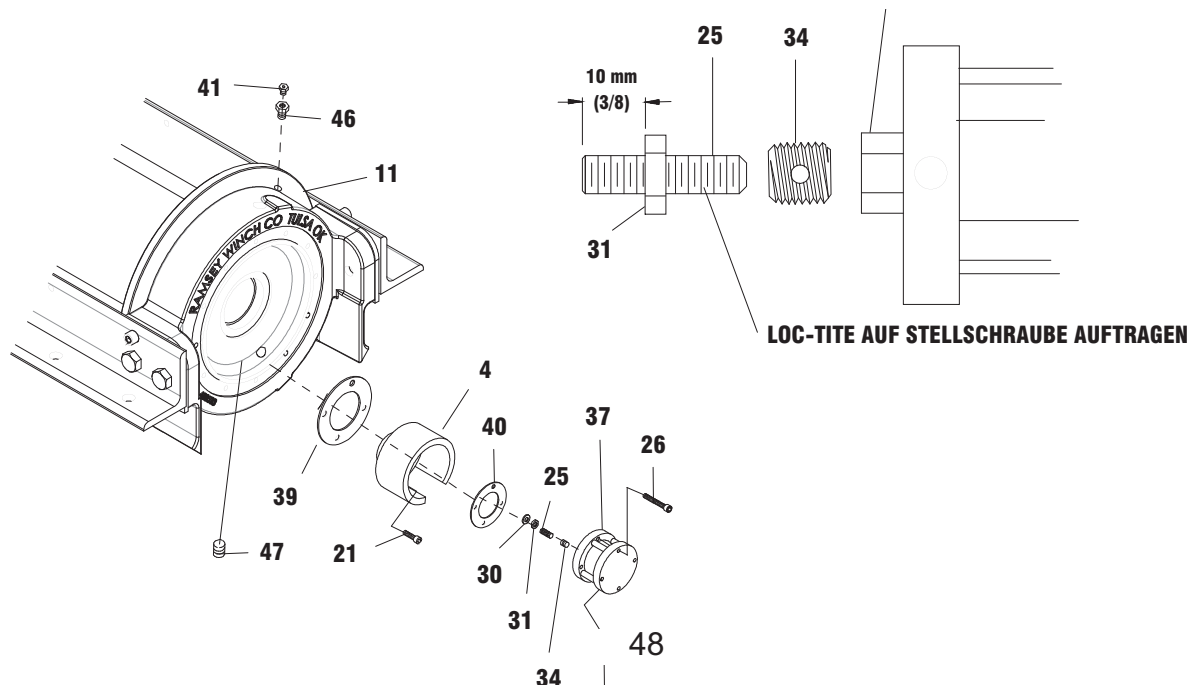
Zwei (2) Radträger in das Hohlrad einbringen und mit dem Hohlrad in Eingriff bringen. Die zwei (2) vorübergehend angebrachten Kopfschrauben entfernen und sicherstellen, dass Hohlrad und Trägerbaugruppe am Endlager (Nr. 10)



anliegen. RTV-Dichtmittel (RTV=bei Raumtemperatur ausvulkanisiert) auf die Montagefläche des Hohlrads (Nr. 3) auftragen und Deckel auf dem Hohlrad befestigen. Unter Verwendung von zwölf (12) Kopfschrauben (Nr. 17) den Getriebekasten am Getriebekasten-Endlager befestigen. Die Kopfschrauben über Kreuz auf 53 Nm festziehen.

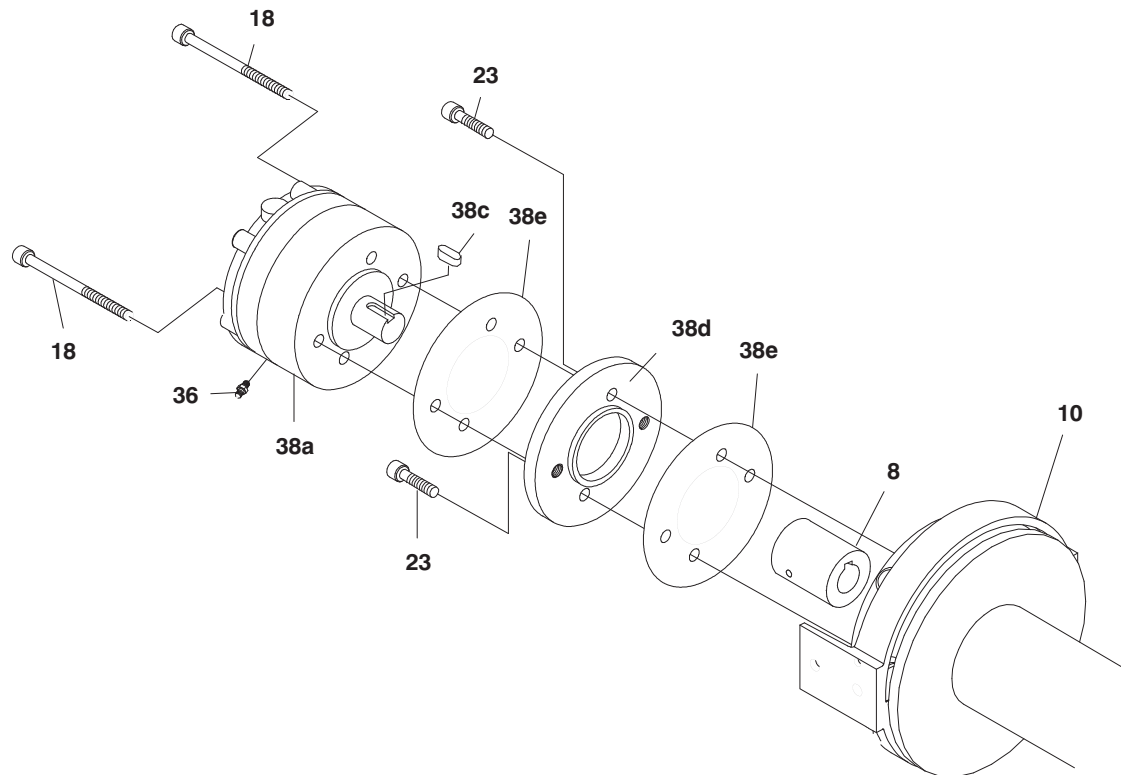
11. Das antriebsseitige Sonnenrad über Kupplungshebelwelle (Nr. 13) schieben und auf die Zähne des antriebsseitigen Trägers einrücken. Schmierfett auf die antriebsseitige Anlaufscheibe auftragen und in die Schlitze des Luftzylinderadapters (Nr. 4) einführen. Den Dichtring (Nr. 40) mit Dichtmittel auf dem Adapter platzieren und den Adapter mit vier (4) Kopfschrauben (Nr. 21) befestigen. Auf das Gewinde der Kopfschrauben Loctite PST-Gewindgleitmittel auftragen. Die Kopfschrauben über Kreuz auf 18 Nm festziehen.

Die Stange soweit wie möglich aus dem Luftzylinder ziehen. Die Unterlegscheibe (Nr. 30) auf die Stellschraube (Nr. 25) und gegen die an der Zylinderstange befestigte Mutter schieben. Die Stellschraube in das Loch der

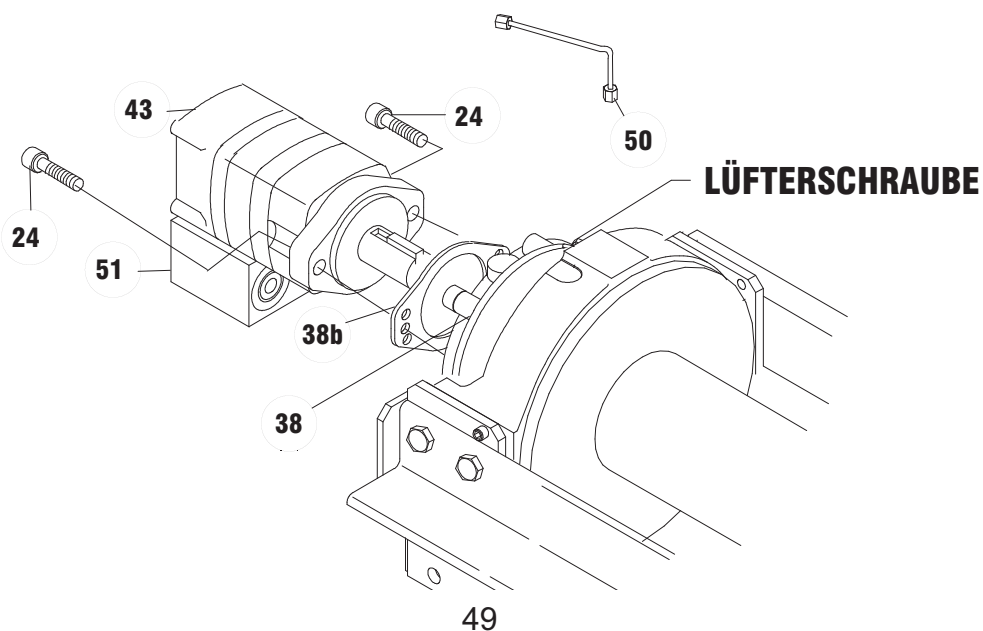


Kupplungshebelwelle (Nr. 13) stecken. Unter Verwendung von vier (4) Kopfschrauben (Nr. 26) den neuen Luftzylinder (Nr. 37) und Dichtring (Nr. 40) mit Dichtmittel auf dem Adapter befestigen. Auf das Gewinde der Kopfschrauben Loctite PST-Gewindeleitmittel auftragen. Die Kopfschrauben über Kreuz auf 7 Nm festziehen.

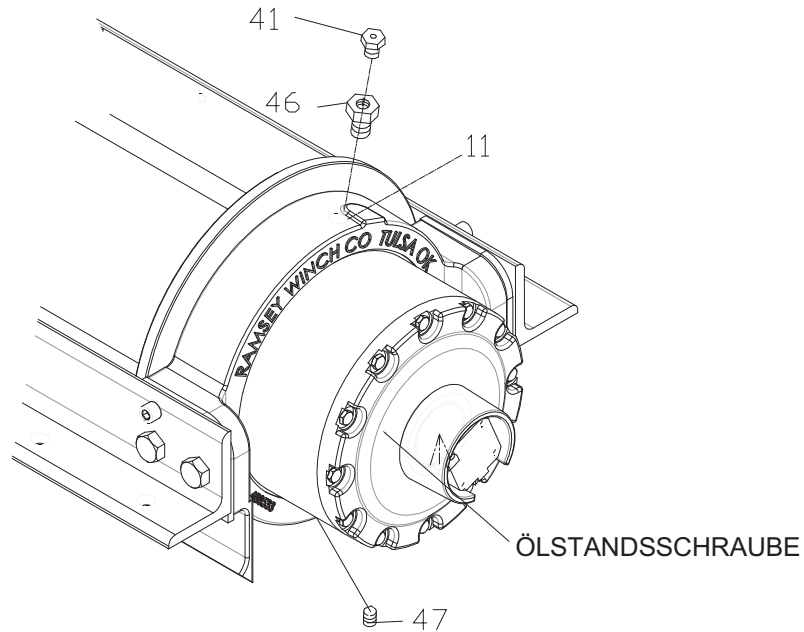
12. Keilnut der Kupplung auf Keil am Ende der Antriebswelle im Inneren der Endlagerbaugruppe ausrichten. Die Kupplung auf das Wellenende schieben. Den Dichtring (Nr. 38e) auf der Motormontagefläche des Endlagers (Nr. 10) anbringen. Unter Verwendung von zwei (2) Schrauben (Nr. 23) die Adapterplatte (Nr. 38d) am motorseitigen Lager befestigen. Die Kopfschrauben auf 115 Nm festziehen. Zweiten Dichtring (Nr. 38e) auf der Adapterplatte anbringen. Die Bremswelle mit Keil (Nr. 38c) in die Kupplung schieben. Unter Verwendung von Bremsbaugruppenschrauben (Nr. 18) die Bremse (Nr. 38a) wieder an der Adapterplatte befestigen. Die Kopfschrauben auf 132 Nm festziehen.



**Anmerkung:** Vor der Installation von Baugruppenschrauben (Nr. 18) muss sichergestellt werden, dass die Bremsbaugruppe und die Adapterplatte korrekt eingesetzt sind. Unsachgerechte Installation bewirkt Beschädigung des Rotorstapels und Wellensprenglings.



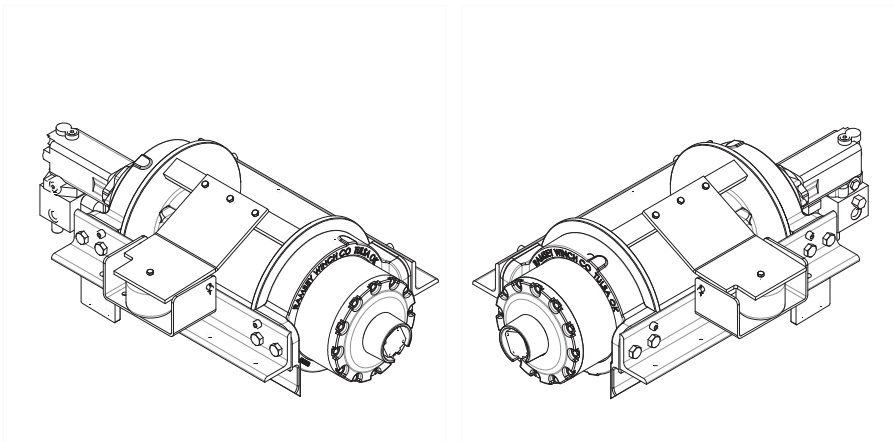
13. Den Motor (Nr. 43) mit Dichtring (Nr. 38b) an der Bremse (Nr. 38) befestigen. Zwei (2) Kopfschrauben (Nr. 24) verwenden und auf 100 Nm festziehen. Das Rohr (Nr. 50) an das Kniestück (Nr. 35) am Boden des Ventils und die Verschraubung (Nr. 36) am Boden der Bremse (Nr. 38) befestigen.
14. Auf Gewinde der Verschlusschraube (Nr. 47) Permatex auftragen. Die Verschlusschraube in das Schraubenloch im Boden des Getriebekasten-Endlagers (Nr. 11) schrauben. Ca. 1,2 l SAE 80W-140 Öl in das Endlager füllen. Wie unten gezeigt die Ölstandsschraube entfernen und den Ölstand prüfen. Das Überdruckventil (Nr. 41) und das Reduzierstück (Nr. 46) in das Endlager am Öleinfüllloch einsetzen. Die Winde montieren und die Druckleitungen anschließen. Das Druckablassteil der Bremse durch Lösen der Lüfterschraube an der Bremse entlüften, sodass Luft entweichen kann, während langsam



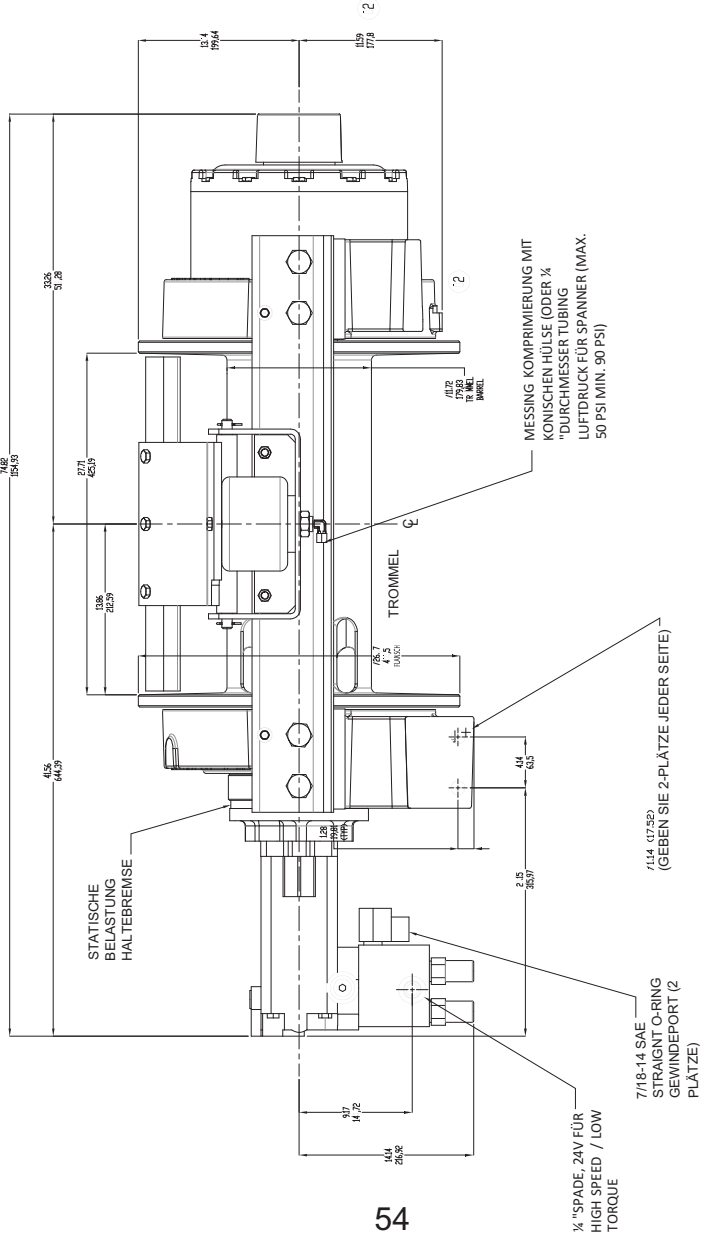
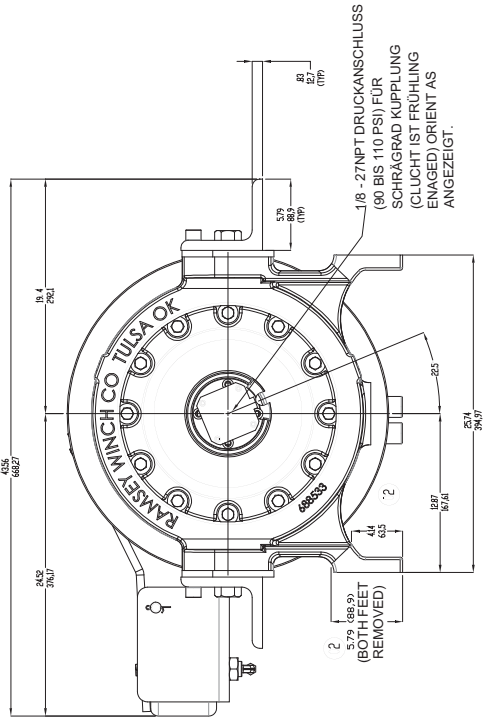
Hydraulikdruck an die Winde angelegt wird (siehe Lüfterschraube in Schritt 13). Mindestens 15,9 bar Druck anlegen, um die Bremse zu lösen und durch Beobachten der Seiltrommeldrehung prüfen, ob sich die Bremse löst.

15. Die Funktion der Kupplung prüfen. Dazu am Kupplungsluftzylinder Druckluft anlegen, um die Kupplung auszurücken. Den Freilauf der Winde prüfen. Die Kupplung wieder einrücken. Beim Einrücken der Kupplung sollte ein lautes Geräusch zu hören sein. Windentrommel sollte nicht frei laufen.
16. Die Winde im Vor- und Rücklauf betreiben, um die unbehinderte Drehung der Trommel zu bestätigen.

#### WINDE DIE PANELMONTAGE

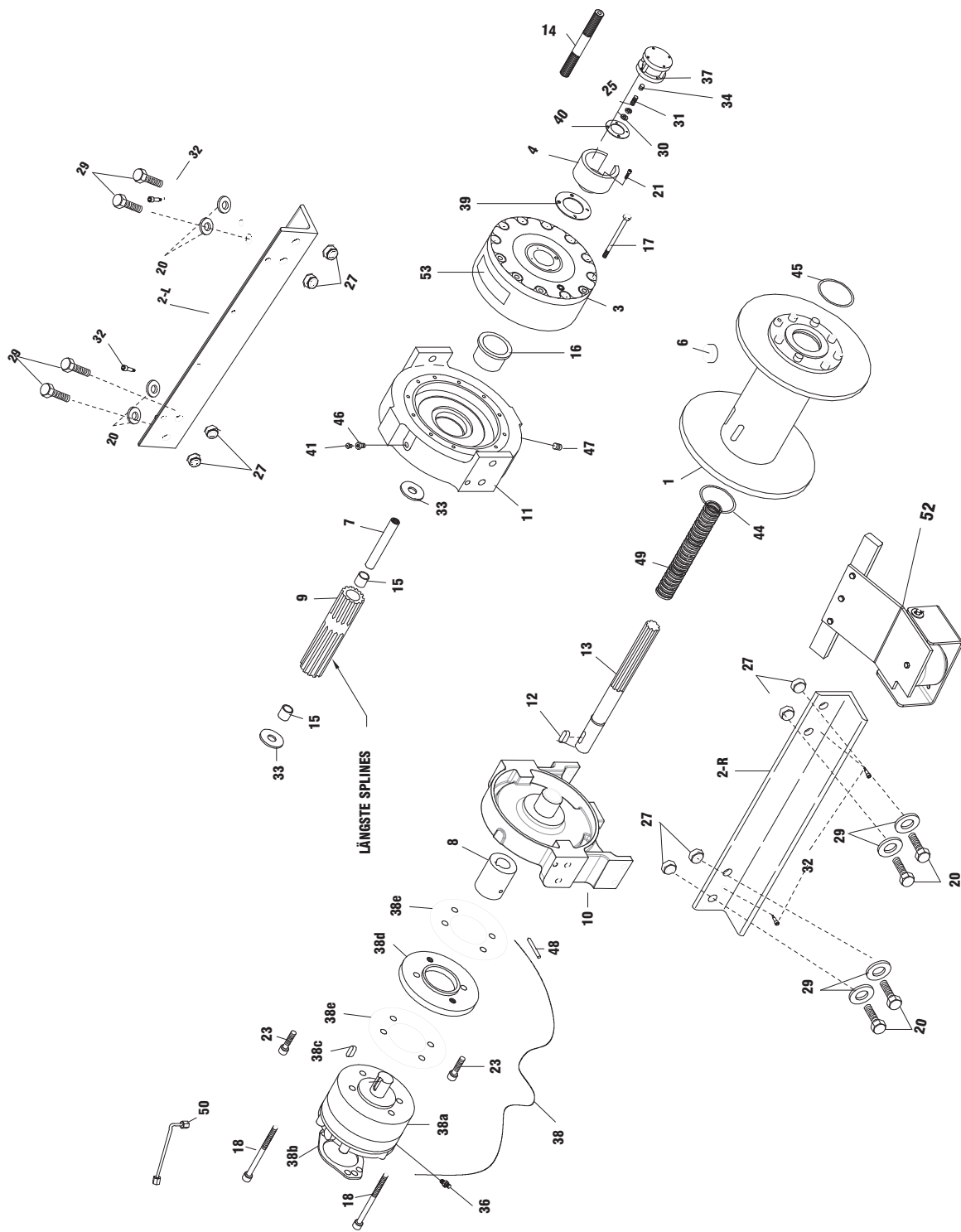


RECHTEN MONTAGE      LINKE HAND MONTAGE



# RPH 111,2 MASSZEICHNUNG





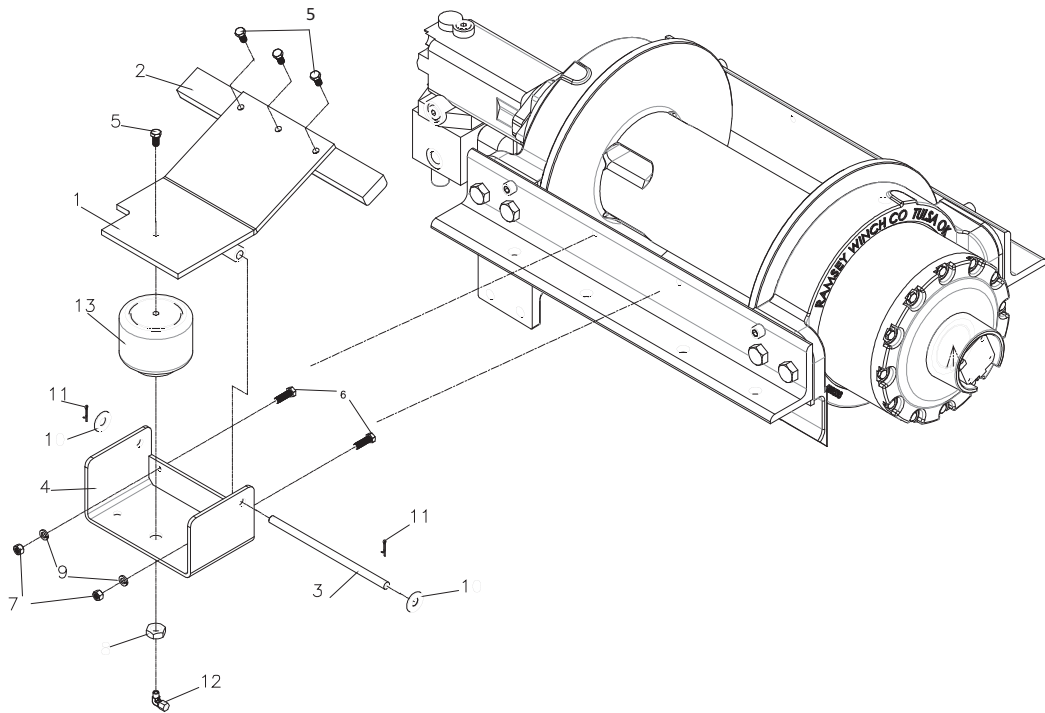
LISTE RPH111, 2 TEILE

ARTIKEL NUMMER	TEILENU MENGE	TEILENU MMER	BESCHREIBUNG	ARTIKELN UMMER	MENGE	TEILENU MMER	BESCHREIBUNG
1	1	234225	ARSCH-TROMMEL, RPH 133,4	26	8	418249	LOCKWASHER-3/4 ID MED SEKTE, ZINK PLT
2-L	1	303173	WINKEL-MONTAGE, LH, RPH 133,4	30	1	418432	WASCHMASCHINE-SCHUB, NYLATRON, 5/16 ID
2-R	1	303174	WINKEL-MONTAGE, RH, RPH 133,4	31	1	418433	NUT-LOCK, 5/16-24NF X 3/16 THK.
3	1	296433	GEAR BOX KPL-SUB-UP, RPH-30.000	32	4	418453	BOLZERN-SCHULTER,,50 X. 75-LG./,375-16
4	1	300069	ADAPTER-LUFT ZYLINDER, RPH-30.000, ALAUN.	33	2	418462	KUPPLUNG SCHEIBE 2.125 OD X.878 ID X.070
5	4	474229	ABSTANDSHALTER-TIE PLATTE, GROßER FLANSCH TROMMEL, RPH 30/35	34	1	426045	INSERT--GEWINDE,,312-24NF, IPH-45000
6	1	315010	SEIL ANKER-RPH 133,4	35	1	432018	PASSENDE Parker # 4 - C5OX-S T-LOK, 7/16-20 90 Grad
7	1	324286	KUPPLUNG-VENTILATORWELLE, 1.375 DIA, RPH- 30.000	36	1	432023	FORMSTÜCK-7/16-20, PARKER # 0503-4-4/EQ.
8	1	324287	KUPPLUNG-MOTOR, RPH-30.000	37	1	433014	LUFT ZYLINDER KUPPLUNG ENGAGIEREN/LÖSEN RPH-30000
9	1	324288	KUPPLUNG-AUSGANG, RPH-30.000	38	1	438037	Knorr-Bremse-Modular AUSCO # 76971, Rph30000 Durch 50000
10	1	338356	ENDE LAGER-MOTOR, FUß MTD. BEARBEITET, RPH 30/35	*39	1	442216	DICHTUNG-ADAPTER, LUFT ZYLINDER, CORK, #VCN-60
11	1	338427	Ende Lager-Gefräse, GEAR Seite, RPH 133,4 & RPH 111,2	*40	1	442217	DICHTUNG-LUFT ZYLINDER,,031 VON THK. CORK, RPH30
12	2	342081	SCHLÜSSEL-RD ENDS,5/16X5/16X1.5LG,HT,PURC	41	1	456008	ERLEICHTERUNG FIT-1/8-27PFT, BALL CHECK, Z/P
13	1	357535	EINGANGSLEISTUNG, RPH 133,4 WÄRME BEHANDELN	42	1	456038	FORMSTÜCK-VENT, VERSCHNAUFPAUSE, #ASP-1BV/EQIV
14	1	358065	EINGANGSLEISTUNG SHIFTER, RPH-30.000	43	1	458101	MOTOR-HYD.C-L # 104-2012,2000,2-GESCHWINDIGKEIT
15	2	402119	LAGER-GARLOCK # 22DU16 ODER ÄQUIV.	*44	1	462013	QUAD-RING-2 7/8ODX2 1/2IDX3/16Q4333
16	1	412086	BUCHSE-SCHUB, GEAR HSG, IPH-45000	*45	1	462050	QUAD-RING-MINN GUMMI # Q4343-366Y
17	10	414272	SCHRAUBE-3/8-16NCX5 1/2 HXHD, GR5, P/SCHW	46	1	468004	ABSCHWÄCHER-1/2-1/8NPTF, HEX, STL PLAIN
18	2	414595	CAPSCREW-1/2-13NC 3-1/2 X LONG, HX SOC HD, GR8, Schwarzen Oxid beenden	47	1	468019	ROHR PLUG-1/2-14NPTF, HEX SOC HD
20	8	414778	CAPSCREW-3/4-10NC X 2 1/4LG, HXHD, GR-5	48	1	470089	PIN-UNBRAKO # 21-S-250-1875/EQUI ROLL
21	4	414400	CAPSCREW-3/8-24NF X4LG, HXHD, GR-5	49	1	494108	FRÜHLING-KUPPLUNG SHIFTER, .192DIA, RPH30
21	4	414935	CAPSCREW-3/8-16NCX2 1/2, HXSOCHD	50	1	509125	MONTAGE-TUBE, HYDRAULISCHE BREMSE RELEASE, AUSCO BREMSE
22	2	414947	CAPSCREW-1/2-13NC X 1 LG, HEX-SOC HD	51	1	516065	VENTIL-CBALANCE, DUAL CARTRIDGE, 2 SPD, 24V, MANIPULIEREN BEWEIS CAP
23	2	414948	CAPSCREW-1/2-13NCX1 1/4LG, SOCKEL HD	52	1	299755	MONTAGE-LUFT MAULSCHLÜSSEL, EINZELNE AKTOR, LANGE TROMMEL
24	1	416051	GEWINDESTIFT-5/16-24NF X 1, SOCHD, CUP	53	1	434737	TAG-NAMEN UND DATEN RPH111, 2
25	4	416233	SCHRAUBE-# 10-24NC X 2 1/2, HXSOCHD	54	1	914217	OWNER'S MANUAL-RPH 133,4 CE (EN 14492 - 1)
				55	1	251310	MEHRSPRACHIGE DE DECAL KIT RPH111, 2
				56	1	911170	INSTALLATION HANDBUCH FÜR RPH111
				57	1	472059	TASCHE-KUNSTSTOFF, 9 X 12, BEDIENTUNGSANLEITUNG, ETC..

## **SEILSPANNER - ÜBERHOLUNG**

Für den Zusammenbau des Seilspanners siehe die Teilezeichnung auf der nächsten Seite. Der Seilspanner erfordert eine unabhängige, verstellbare Luftversorgung zwischen 3,4 bar und 6,2 bar. **Die Winde nicht betreiben, wenn der Spanner aktiviert ist und gegen eine bloße Trommel anliegt.** Die Winde darf nur betrieben werden, falls bei aktiviertem Spanner mindestens eine Wicklung von Seil auf der Trommel aufgespult ist.

1. Um den Luftspanner von der Winde zu entfernen, die Luftversorgung von Spanner trennen. Die Kopfschrauben (Nr. 8), Sicherungsscheiben (Nr. 11) und Muttern (Nr. 9) entfernen, die den Spanner am Rahmen befestigen. Den Spanner gemäß Abbildung auf der nächsten Seite zerlegen und alle Teile entfernen, die verschlissen sind.
2. Die Spannerbaugruppe wieder zusammenbauen. Den Spanner an den Windenrahmen anbauen und dabei die Abstandhalter (Nr. 4) zwischen der Spannerhalterung und dem Windenrahmen platzieren. Die Spannerstange (Nr. 2) mit einem Messband oder einem Maßstab zwischen den Trommelflanschen einmitten. Diese Befestigungsschrauben auf 102 Nm festziehen.
3. Das Seil auf der Trommel installieren. Nach dem Aufspulen von ein paar Wicklungen auf die Trommel, die Luftversorgung an das T-Stück (Nr. 14) anschließen, um den Spanner gegen die Trommel zu aktivieren. Beim Aufspulen des Seils auf die Trommel, den Spanner beobachten und sicherstellen, dass er frei läuft und beidseitig den Trommelflansch nicht berührt.
4. Die Luftversorgung anpassen, sodass das Seil im Freilauf nicht verwickelt.



## RIEMENSPANNER TEILELISTE

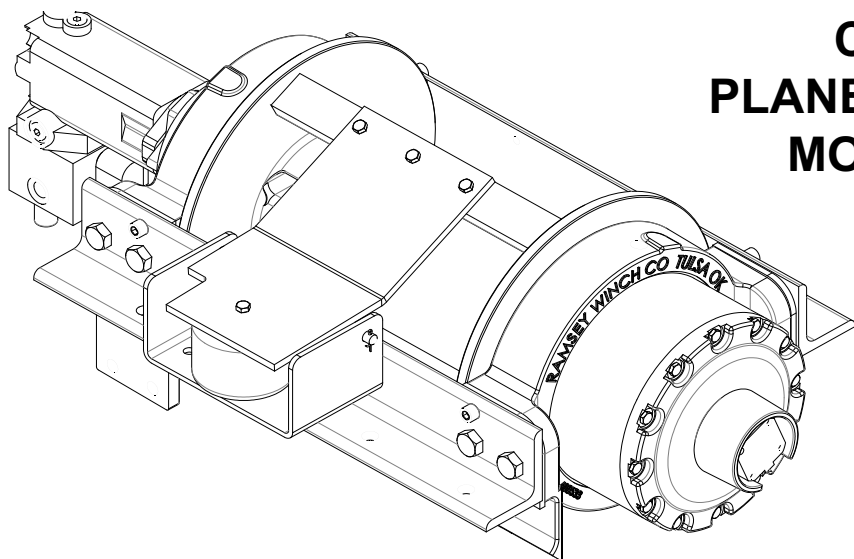
ARTIKEL-NR.	ANZ.	TEILE-NR.	SCHREIBUNG
1	1	265102	SCHWEIßKONSTRUKTION-HEBEL ARM, AIR RIEMENSPANNER
2	1	304190	BAR-AIR SPANNER, RPH 133,4
3	1	346046	PIN-PIVOT, KABEL SPANNER, RPH20/50
4	1	408362	KLAMMER-AIR SPANNER, BEARBEITET
5	4	414278	CAPSCREW-3/8-16NCX3/4LG, HXHD, Z/P, G5
6	2	414316	CAPSCREW-3/8-16NCX1 1/4, HXHD, Z/P, G5
7	2	418045	NUT-3/8-16NC HEX REG GR.5MIN,ZINC P
8	1	418098	NUT-3/4-16NF HEX JAM
9	2	418177	LOCKWASHER-3/8 MED SEKTE, GALVANISCH VERZINKT
10	2	418223	WASCHMASCHINE-1/2 USS FLAT, GALVANISCH VERZINKT
11	2	424005	KEIL-NADEL-1/8DIA X 1 LG
12	1	432033	FORMSTÜCK-AIR, 90 DEG.ELB # 169 C-4-2/EQ
13	1	433029	FRÜHLING-LUFT, FÜR KABEL SPANNER, ENIDINE YI-1S4-007





# MANUAL DE FUNCIONAMIENTO, REPARACIÓN Y MANTENIMIENTO

English (Original Instructions) .....	1
Français (Traduction des instructions originales) ..	18
Deutsch (Übersetzung der Originalanleitung) .....	38
Español(Traducción de las instrucciones originales).	58



## CABESTRANTE PLANETARIO INDUSTRIAL MODELO RPH 111,2

**Uso pretendido para: recuperación de vehículos y arrastre de cargas**



**PRECAUCIÓN:** LEER Y ENTENDER ESTE MANUAL ANTES DE INSTALAR Y UTILIZAR EL CABESTRANTE. OBSERVAR LAS ADVERTENCIAS.

### **RAMSEY WINCH COMPANY**

P.O. Box 581510 - Tulsa OK 74158-1510 EE.UU.  
Teléfono: + 1 918 438-2760 Fax: +1 918 438-6688  
Visítenos en <http://www.ramsey.com>

**Ramsey Representante autorizado en la comunidad:  
(Póngase en contacto sólo por cuestiones de reglamentación.)**

Alura Group BV  
P.O. Box 18626  
2502 EP The Hague  
The Netherlands  
Tel: (31) (0) 70 362-4896  
Fax: (31) (0) 70 346-7299

## CONTENIDO

ESPECIFICACIONES .....	58
ADVERTENCIAS .....	58
RESPONSABILIDAD DEL USUARIO PARA EL CUMPLIMIENTO CON LAS DISPOSICIONES CE .....	58
REQUISITOS DEL SISTEMA HIDRÁULICO .....	59
GRÁFICOS DE FUNCIONAMIENTO .....	59
FUNCIONAMIENTO DEL EMBRAGUE .....	60
MONTAJE DEL BASTIDOR DEL CABESTRANTE .....	60
INSTALACIÓN DEL CABLE METÁLICO .....	60
FUNCIONAMIENTO DEL CABESTRANTE .....	60
MANTENIMIENTO .....	61
MEDIDAS CUANDO TERMINA LA VIDA ÚTIL .....	61
GUÍA DE SOLUCIÓN DE PROBLEMAS .....	61
INSTRUCCIONES PARA VERIFICAR EL CABESTRANTE .....	62-69
CONFIGURACIONES DE MONTAJE .....	69
DIBUJOS ACOTADOS .....	70-71
LISTA DE PIEZAS Y DIBUJO DE PIEZAS .....	72-73
VERIFICACIÓN E INSTALACIÓN DEL TENSADOR DEL CABLE .....	74
LISTA DE PIEZAS Y DIBUJO DE PIEZAS DEL TENSADOR DEL CABLE .....	75
DECLARACIÓN CE DE CONFORMIDAD .....	76

## ESPECIFICACIONES\*

Première couche ligne Pull .....111,2 kN (25000 lb)					
Niveau de bruit.....76 db					
Plage de température ambiante.....-28C to 60C (-20 to 140F)					
Gear Rduction.....31.89:1					
Poids (sans corde).....261kg (575 lb)					
Couche de corde		1	2	3	4
Pull de ligne par couche	kN	111,2	95,2	83,6	74,2
	lb	25,000	21,400	18,800	16,700

* Capacité de corde par couche	m	13	30	50	73
	ft	45	100	165	240
* Vitesse de ligne à 56,7 LPM (15 GPM)	MPM	5,5	6,3	7,2	8,5
	FPM	18	21	24	28
* Ces spécifications sont basées sur recommandée 16 mm (.63 ") Bridon Dyform 34LR/PI/Max 1960 grade cordage ou équivalent avec effraction minimale strenght de 222, 4kN (50 000 lb) et un 157 cc (9,6 cu dans) /Rev. moteur.					

Nota: las dimensiones mencionadas son cargas dinámicas basadas en 3.000 PSI trabajo presión. Primera capa estática calificación es 24 000 LB basado en 3.000 PSI trabajando presión.

## ADVERTENCIAS:

**EL USUARIO DEBERÁ GARANTIZAR QUE EL PERSONAL QUE USE EL EQUIPO HAYA RECIBIDO LA FORMACIÓN NECESARIA.**

**EL OPERADOR DEBERÁ TRABAJAR SIEMPRE SIGUIENDO LAS INSTRUCCIONES DE FUNCIONAMIENTO.**

**PARA EL FUNCIONAMIENTO DEL FRENO SE REQUIERE UNA VÁLVULA DE CONTROL DIRECCIONAL (CON ENSANCHE EN EL CENTRO) DE LA BOBINA DEL MOTOR.**

**EL EMBRAGUE DEBE ESTAR TOTALMENTE ENGRANADO ANTES DE COMENZAR A MANEJAR EL CABESTRANTE.**

**NO DESENGRANAR EL EMBRAGUE BAJO CARGA.**

**NO ACERCARSE A LAS CARGAS ELEVADAS.**

**NO ACERCARSE AL CABLE METÁLICO CUANDO ESTÉ TIRANDO. NO INTENTAR GUIAR EL CABLE METÁLICO.**

**NO UTILIZAR EL CABESTRANTE PARA LEVANTAR, SUJETAR O TRANSPORTAR PERSONAS.**

**PARA SUJETAR LA CARGA SE NECESITA UN MÍNIMO DE 2 VUELTAS DE CABLE METÁLICO ALREDEDOR DEL CUERPO DEL TAMBOR.**

**EVITAR LAS CONDICIONES EN LAS QUE SE PUEDA PRODUCIR LA SACUDIDA O EL DESPLAZAMIENTO DE LA CARGA.**

**DEBERÁ EVITARSE EL BALANCEO EXCESIVO.**

**RESPONSABILIDAD DEL USUARIO PARA EL CUMPLIMIENTO CON LAS DISPOSICIONES CE**

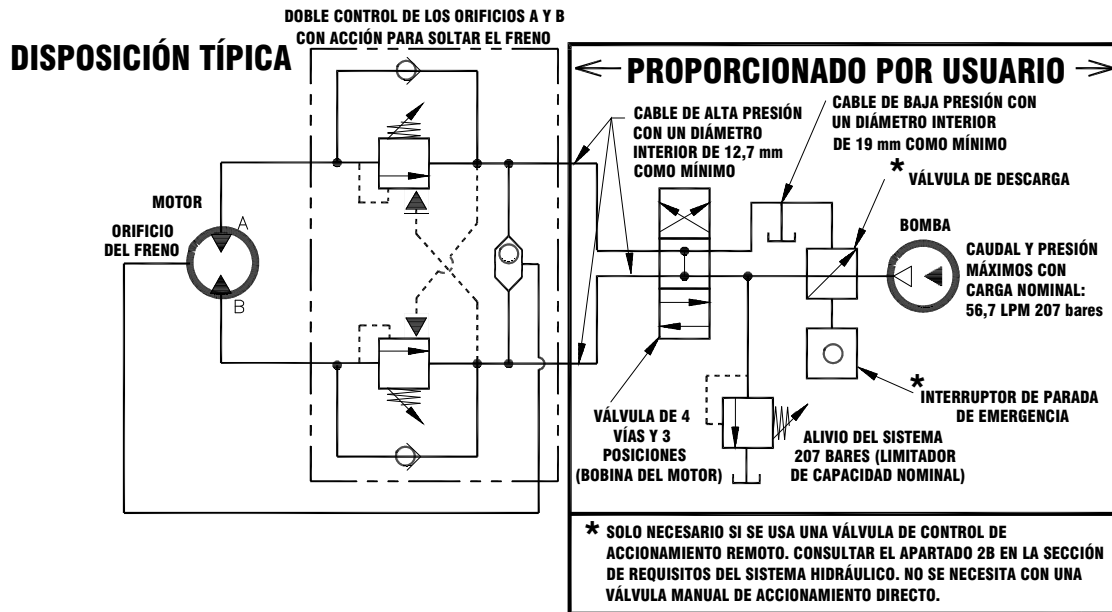
1. Emplear solamente una válvula de control (con ensanche en el centro) de la bobina del motor que sea conforme a los requisitos del sistema hidráulico.
2. Si se usa una válvula de control del cabestrante accionada de forma remota, consultar la sección de requisitos del sistema hidráulico para conocer los componentes de parada de emergencia que es necesario instalar.
3. Ajustar la presión de alivio del sistema conforme a lo descrito en la sección de requisitos del sistema hidráulico.
4. Montar el cabestrante según las instrucciones de montaje del cabestrante.
5. Instalar 16 mm (.63 pulgadas), Bridon DyForm PI/34LR/Max 1960 grado cable metálico o equivalent con resistencia a la rotura mínima de cuerda, les 222,4 KN (50.000 libras). Longitud máxima de cuerda de 73 metros (240 pies) de máximas cuatro capas. Adjuntar cuerda al tambor por instrucciones de instalación de cuerda. Gancho debe tener un cierre de seguridad y un mínimo de romper la resistencia de 278 kN.



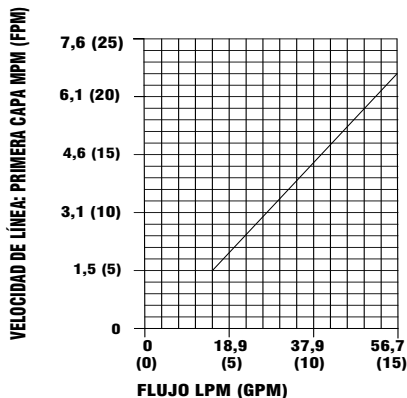
Consultar los gráficos de funcionamiento que figuran más abajo para ajustar el sistema hidráulico al funcionamiento del cabestrante. Los gráficos son los siguientes: (1) Tracción del cable de la primera capa, en kN, en función de la presión de trabajo, en bares (PSI); (2) Velocidad del cable, primera capa, en MPM, en función del flujo en LPM.

## REQUISITOS DEL SISTEMA HIDRÁULICO

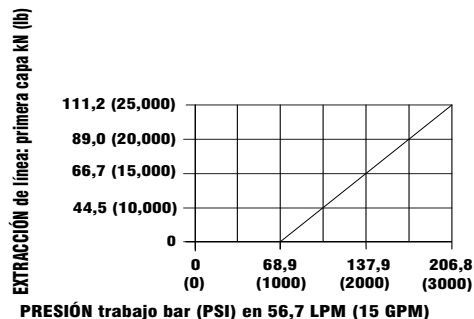
1. Válvula de control (con ensanche en el centro) de la bobina del motor
2. Parada de emergencia:
  - A. Si el cabestrante se controla con una válvula manual de accionamiento directo, dicha válvula servirá como parada de emergencia.
  - B. Si se emplea una válvula de control de accionamiento remoto, se necesita una válvula de descarga hidráulica accionada por solenoide, normalmente abierta al tanque, y un interruptor de parada de emergencia (para abrir la válvula de descarga). El interruptor de parada de emergencia debe estar por lo general cerrado y dispone de un accionador de botón reiniciable de color rojo con el fondo amarillo. El interruptor de parada de emergencia debe estar ubicado de modo que el operador tenga fácil acceso al mismo.
3. La válvula de alivio debe estar ajustada a 207 bares, valor que coincide con el limitador de capacidad nominal.
4. La medida del caudal debe ser como máximo de 56,7 LPM. No se deben sobrepasar los 75,7 LPM; de lo contrario, el motor y el cabestrante podrían dañarse.
5. El fluido hidráulico debe tener una viscosidad de 20 a 43 cSt (100 a 200 SUS). La temperatura de funcionamiento máxima es de 85° C. El nivel de limpieza según la norma ISO debe ser 17-14 o mejor.



## GRÁFICOS DE RENDIMIENTO



BASADO EN 157 CC (9.6 EN CU) MOTOR



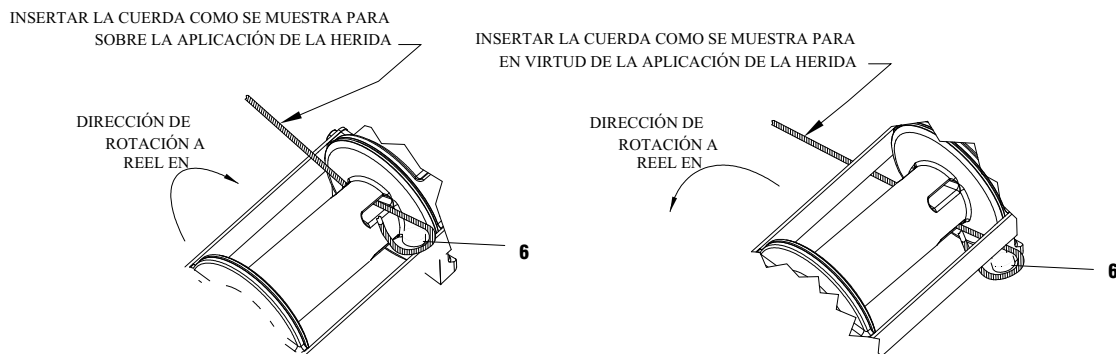
## MONTAJE DEL BASTIDOR DEL CABESTRANTE

Emplear (8) pernos de 15,9 mm de diámetro de clase 5 o mejores para conectar el bastidor de montaje al camión-grúa.

## INSTALACIÓN DEL CABLE METÁLICO

El cabestrante RPH111,2 tiene dos receptáculos cónicos fundidos en el tambor. Uno de los receptáculos es para instalaciones con el cable metálico enrollado en el tambor. El otro receptáculo es para el cable metálico desenrollado.

1. Desenrollar el cable extendiéndolo sobre el suelo para evitar el retorcimiento. Envolver firmemente el extremo del cable, opuesto al gancho, con cinta plástica o similar para evitar que se deshilache.
2. Deslizar el cable metálico a través del extremo estrecho del receptáculo contra la brida del tambor y liarlo alrededor del retenedor de anclaje, tirar del cable y anclarlo en el extremo ancho del receptáculo. Emplear un martillo blando para dirigir el lado posterior del cable metálico, asentando éste último y el anclaje firmemente en el receptáculo.
3. Hacer funcionar con cuidado el cabestrante en la dirección de enrollado. Manteniendo tensión sobre el extremo del cable, enrollar todo el cable en el tambor del cable, con cuidado de que se enrollen bien las capas.



## FUNCIONAMIENTO DEL EMBRAGUE

### Para engranar el embrague:

1. Mover la válvula de control del embrague a la posición de "embrague engranado".
2. Si en un momento dado la temperatura está por debajo de cero grados, hacer funcionar el motor en la dirección de "salida de cable" solamente hasta que el tambor empiece a girar.
  - 2a. En caso de temperaturas extremadamente frías (por debajo de  $-18^{\circ}\text{C}$ ), tirar del cable con la mano solamente hasta que el tambor empiece a girar.
3. Esperar al menos 3 segundos hasta que el embrague esté totalmente engranado, después de lo cual el cabestrante estará listo para enrollar el cable.

**ADVERTENCIA:** no intentar engranar el embrague haciendo funcionar primero el motor del cabestrante y luego moviendo la válvula de control del embrague a la posición de "embrague engranado" con el motor en marcha. No empezar a recoger la carga al mismo tiempo que se está engranando el embrague.

### Para desengranar el embrague:

1. Hacer funcionar el cabestrante en la dirección de "salida de cable" hasta que la carga se suelte del cable.
2. Mover la válvula de control del embrague a la posición de "embrague desengranado".
3. Ahora se puede tirar del cable con la mano.

## FUNCIONAMIENTO DEL CABESTRANTE

La mejor manera de familiarizarse con el funcionamiento del cabestrante es hacer pruebas de funcionamiento antes de utilizarlo. Planee la prueba con antelación. Recuerde que el cabestrante se puede oír, al igual que se puede ver cómo funciona. Hay que acostumbrarse a reconocer los sonidos de una tracción ligera y continua, una tracción pesada, y el sonido producido por la sacudida o el desplazamiento de la carga. Al ganar confianza con el manejo del cabestrante su empleo se hará con total naturalidad. El enrollado desigual del cable, mientras se está tirando de una carga, no es un problema, a menos que se produzca un apilamiento del cable en un extremo del tambor. Si esto sucede, girar el cabestrante para liberar la carga y alejar el punto de anclaje del centro del vehículo. Una vez acabado el trabajo, se puede desenrollar y enrollar para que el cable quede bien colocado.

## **MANTENIMIENTO**

El adherirse al siguiente calendario de mantenimiento hará que el cabestrante esté en excelentes condiciones de funcionamiento y con el mínimo de reparaciones.

### **A. SEMANAL**

1. Comprobar el nivel de aceite y mantenerlo hasta el tapón del nivel del aceite. Si existe una fuga de aceite, determinar la ubicación y reparar.
2. Comprobar el regulador de descompresión en la parte superior de la caja del engranaje. Asegurarse de que no esté atascado.
3. Lubricar el cable con aceite ligero.

### **B. MENSUAL**

1. Comprobar los pernos de montaje del cabestrante. Si falta alguno, ponerlos y apretar firmemente los que estén flojos. Emplear pernos de clase 5 o mejores.
2. Inspeccionar el cable. Si el cable se deshilacha con hilos rotos, cambiarlo inmediatamente.

### **C. ANUAL**

1. Purgar el aceite del cabestrante anualmente o más a menudo si se utiliza con frecuencia.
2. Llenar con keroseno limpio el cabestrante hasta el tapón del nivel de aceite. Hacer funcionar el cabestrante durante unos segundos sin carga en la dirección de enrollado. Purgar el keroseno del cabestrante.
3. Rellenar el cabestrante hasta el tapón del nivel de aceite con aceite universal SAE 80W-140.
4. Inspeccionar el bastidor y la estructura circundante en busca de grietas o deformaciones.

## **MEDIDAS CUANDO TERMINA LA VIDA ÚTIL**

Cuando el cabestrante llegue al final de su vida útil, desecharlo según las normativas medioambientales locales.

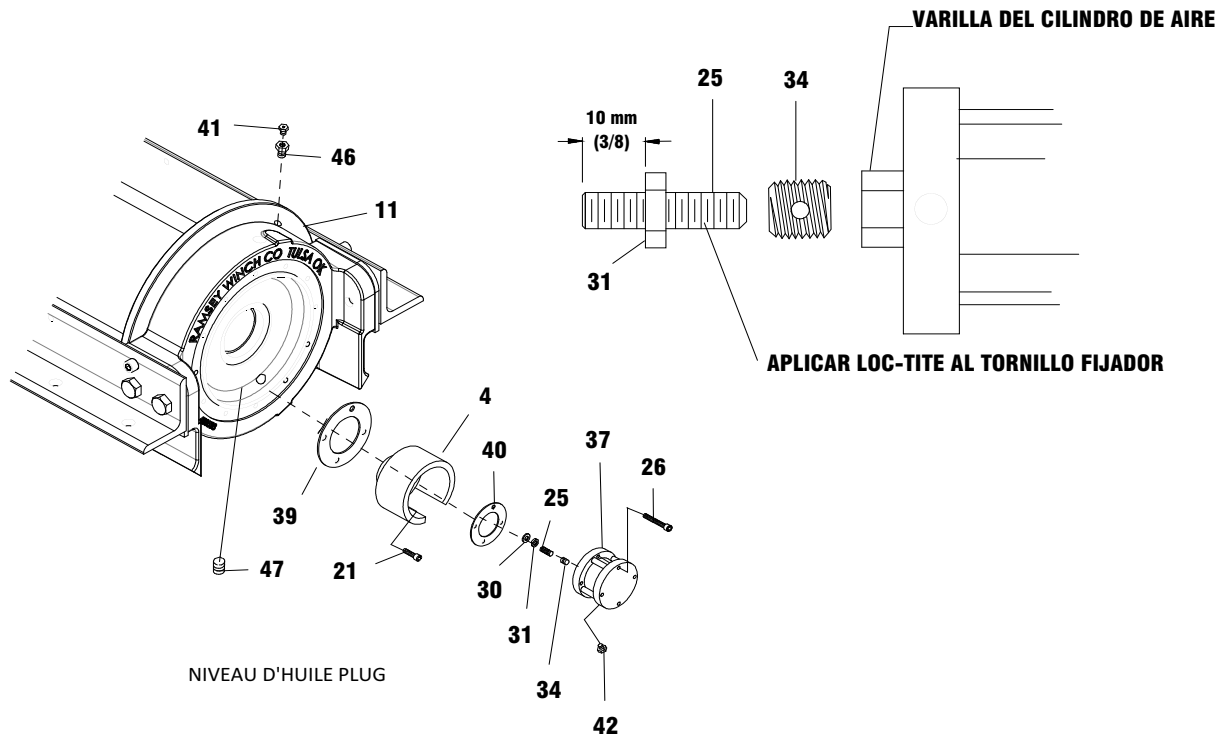
## **GUÍA DE SOLUCIÓN DE PROBLEMAS**

<b>ESTADO</b>	<b>CAUSA POSIBLE</b>	<b>CORRECCIÓN</b>
FUGAS DE ACEITE DEL CABESTRANTE	<ol style="list-style-type: none"><li>1. Juntas dañadas o desgastadas.</li><li>2. Demasiado aceite.</li><li>3. Empaquetadura dañada.</li></ol>	<ol style="list-style-type: none"><li>1. Cambiar la junta.</li><li>2. Purgar el exceso de aceite. Consultar la sección de FUNCIONAMIENTO.</li><li>3. Cambiar la empaquetadura.</li></ol>
FUNCIONAMIENTO DEL SISTEMA HIDRÁULICO DEL CABESTRANTE DEMASIADO LENTO	<ol style="list-style-type: none"><li>1. Medida baja del caudal.</li><li>2. El motor hidráulico está desgastado.</li></ol>	<ol style="list-style-type: none"><li>1. Comprobar la medida del caudal. Consultar el gráfico de caudal en la página 59.</li><li>2. Cambiar el motor.</li></ol>
EL TAMBOR DEL CABLE NO REALIZA EL ENROLLADO CONSTANTE	<ol style="list-style-type: none"><li>1. Embrague no desengranado.</li><li>2. Si hay instalado un tensor de aire, hay presente demasiada fuerza sobre la barra del tensor.</li></ol>	<ol style="list-style-type: none"><li>1. Comprobar que la presión del aire en el cilindro del embrague sea como mínimo de 6,2 bares. Consultar la página 59 para ver los requisitos.</li><li>2. Reducir la presión del aire en los accionadores del tensor.</li></ol>
EL FRENO NO SE SUELTA	<ol style="list-style-type: none"><li>1. Aire en el sistema hidráulico.</li></ol>	<ol style="list-style-type: none"><li>1. Purgar el aire del freno. Consultar la página 59.</li></ol>

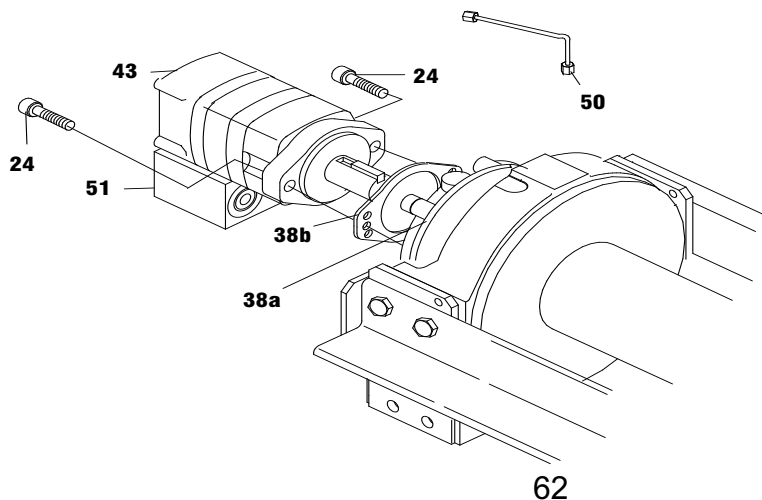
## INSTRUCCIONES PARA VERIFICAR EL CABESTRANTE

1. Purgar el aceite de la caja de engranajes (elemento núm. 11) sacando el tapón (elemento núm. 47) del cojinete final. Quitar el reductor y la conexión de alivio (elementos núm. 41 y 46).

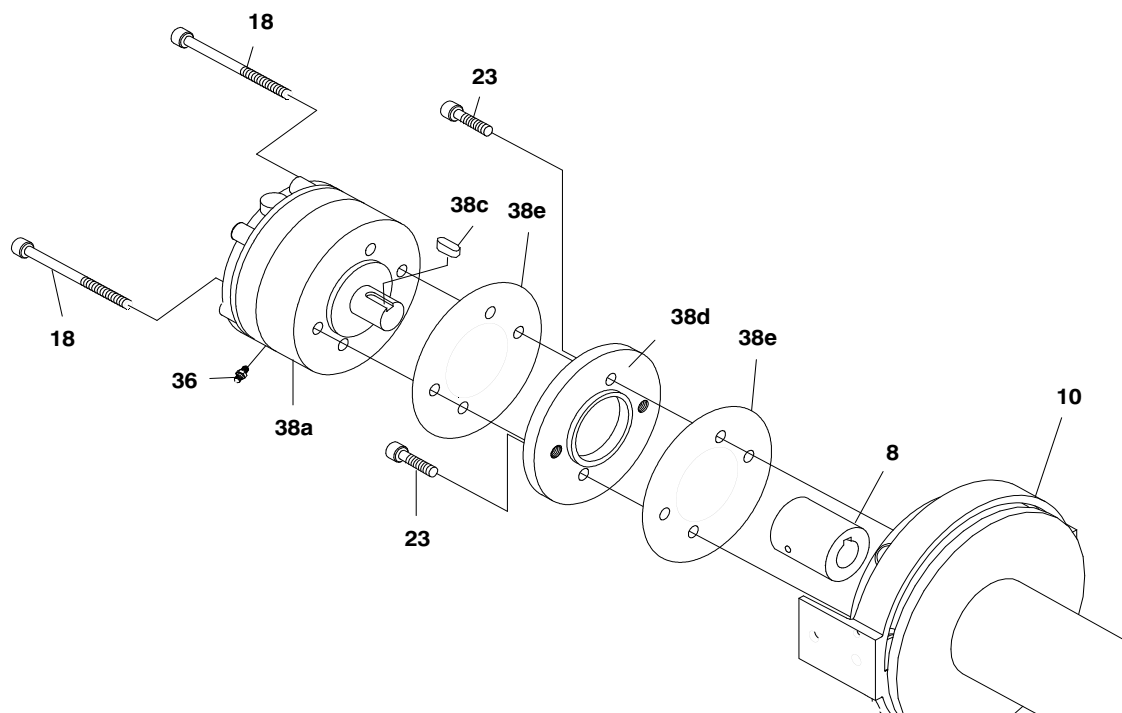
Si se necesita un nuevo cilindro de aire, retirar el cilindro de aire (elemento núm. 37) del adaptador (elemento núm. 4), apartando los (4) tornillos de casquete (elemento núm. 26). Quitar el agujero de ventilación (elemento núm. 42). Retirar del extremo de la varilla del cilindro de aire, la arandela (elemento núm. 30), la tuerca y el tornillo fijador (elementos núm. 31 y 25) y la pieza intercalada (elemento núm. 34). Aplicar Loc-tite en las roscas de la tuerca (elemento núm. 31) y enroscarla en el tornillo fijador (elemento núm. 25) a 10 mm del extremo de entrada, tal como se muestra a continuación. Aplicar Loc-tite en las roscas del tornillo fijador y enroscar la pieza intercalada (elemento núm. 34) sobre el extremo del tornillo fijador y contra la tuerca. Emplear el tornillo fijador y la tuerca para enroscar la pieza intercalada (elemento núm. 34) en el extremo de la varilla del cilindro de aire. Apretar la tuerca contra la varilla del cilindro, dejando una distancia de 10 mm desde el extremo de entrada del tornillo fijador hasta la tuerca. Comprobar que no hay daños en el agujero de ventilación (elemento núm. 42) y en la conexión de alivio, y que su estado de funcionamiento es correcto. Quitarlos y cambiarlos si es necesario. Quitar el adaptador del cilindro (elemento núm. 4) y la empaquetadura (elemento núm. 40) de la tapa de la caja de engranajes. Para ello, desatornillar los (4) tornillos de casquete (elemento núm. 21).



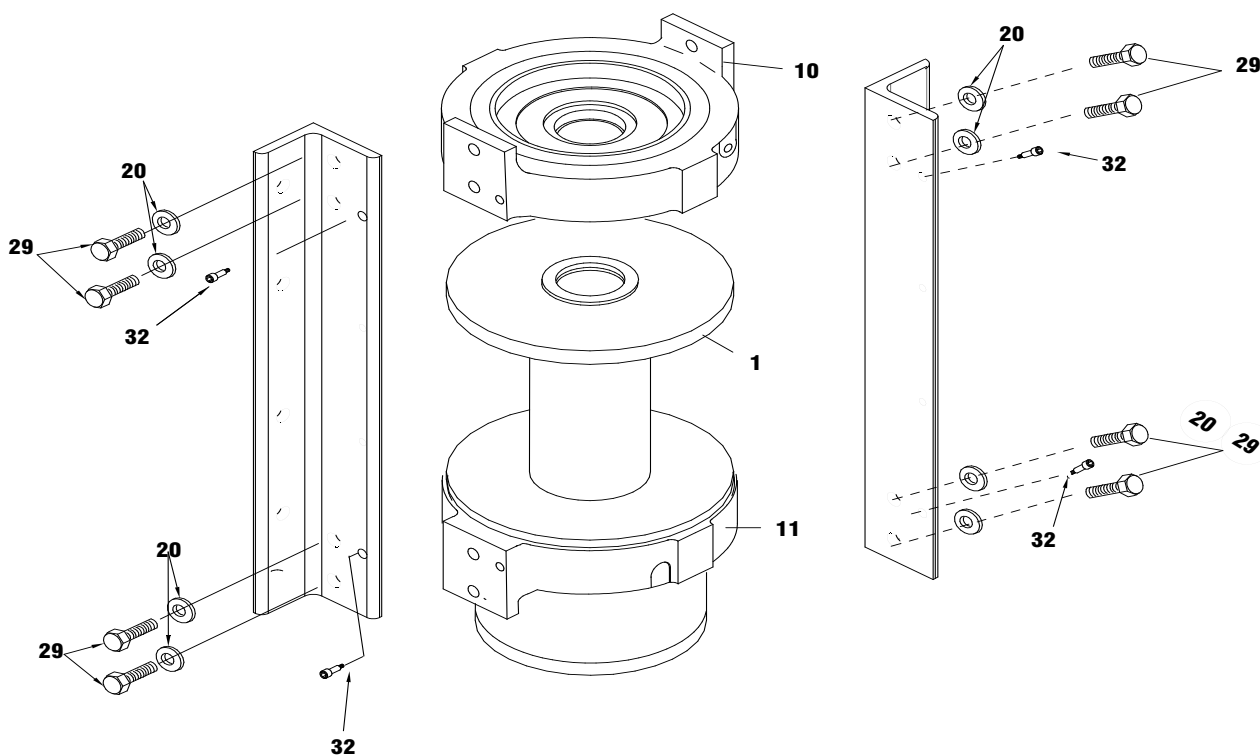
2. Desconectar el tubo (elemento núm. 50) del codo (elemento núm. 35) y la conexión (elemento núm. 36) en la parte inferior del freno (elemento núm. 38). Quitar los (2) tornillos de casquete (elemento núm. 24) para retirar el motor (elemento núm. 43) y la empaquetadura (elemento núm. 38b). Si fuese necesario, retirar la válvula (elemento núm. 51) del motor aflojando los (3) tornillos de casquete (elemento núm. 22) [no mostrado].



- Retirar los tornillos del conjunto del freno (elemento núm. 18) del freno (elemento núm. 38a) para acceder a los (2) tornillos de montaje (elemento núm. 23) que conectan la placa del adaptador del freno (elemento núm. 38d) al cojinete final (elemento núm. 10). **PRECAUCIÓN: el freno se acciona con el muelle del embrague y debe contenerse con el cojinete final cuando se quitan los tornillos de montaje (elemento núm. 23)** Retirar el acoplamiento (elemento núm. 8) y la empaquetadura (elemento núm. 38a) del cojinete final. Anotar la configuración de montaje para poder montar las piezas correctamente durante el remontaje.

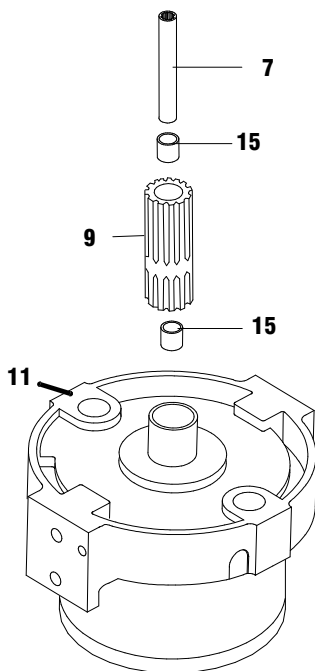


- Retirar el cabestrante del bastidor de montaje vertical (elemento núm. 2) quitando los (8) tornillos de casquete (elemento núm. 20), las (8) arandelas de seguridad (elemento núm. 29) y los (4) pernos (elemento núm. 32). Tirar del cojinete final del motor (elemento núm. 10) del conjunto del tambor (elemento núm. 1).

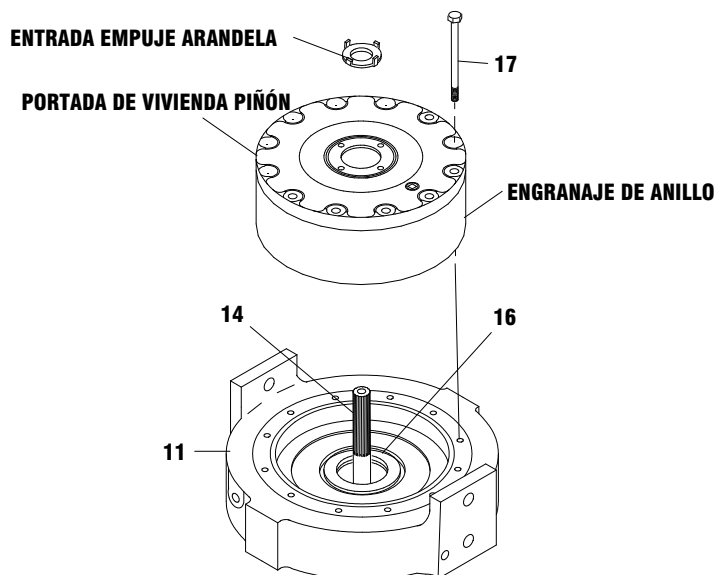




6. Retirar el acoplamiento de salida (elemento núm. 9) y el eje del acoplamiento (elemento núm. 7) del cojinete final (elemento núm. 11). Examinar si los cojinetes (elemento núm. 15), colocados con presión sobre el acoplamiento de salida (elemento núm. 9), presentan señales de desgaste. Si es necesario, cambiar los cojinetes; para ello, ejercer presión sobre los cojinetes desgastados para quitarlos del acoplamiento y presionar los nuevos cojinetes (elemento núm. 15) dentro de cada extremo del acoplamiento de salida (elemento núm. 9). Poner el eje del acoplamiento (elemento núm. 7) dentro de los cojinetes (elemento núm. 15).

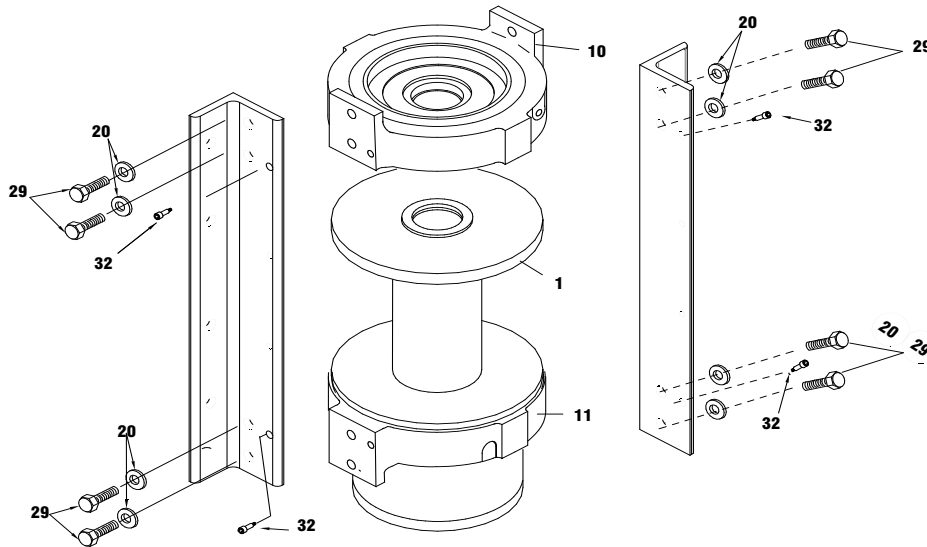


7. Retirar los (12) tornillos de casquete (elemento núm. 17) para quitar la tapa de la caja de engranajes de la corona dentada. Quitar la arandela de empuje de entrada, el engranaje planetario y los conjuntos de transportadores del interior de la corona dentada. Quitar la corona dentada del cojinete final (elemento núm. 11). Examinar el eje del cambio (elemento núm. 14) por si presenta señales de desgaste y reemplazarlo si es necesario. Comprobar si el manguito (elemento núm. 16) presenta señales de desgaste. Si es necesario, cambiar el manguito. Para ello, presionar sobre el manguito desgastado para quitarlo de la caja y empujar el nuevo manguito para colocarlo en su sitio.



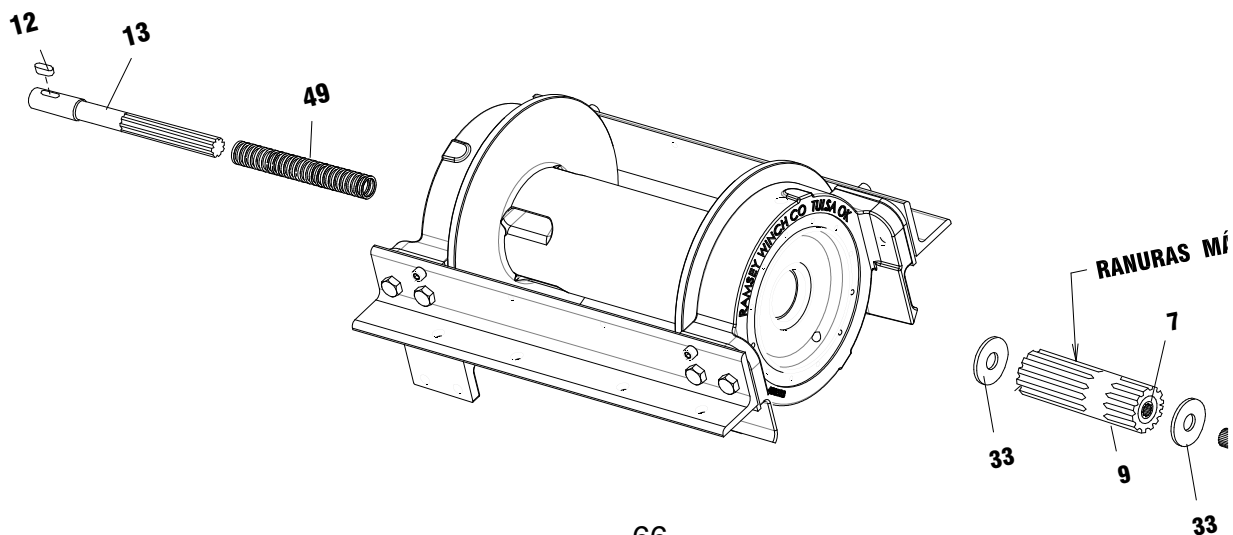
8. **NOTA: DETERMINAR LA CONFIGURACIÓN DE MONTAJE DEL CABESTRANTE (MONTAJE DERECHO O IZQUIERDO) ANTES DE CONECTAR EL BASTIDOR VERTICAL AL CABESTRANTE, PARA ASEGURARSE DE QUE LAS PIEZAS SE MONTAN EN EL LADO CORRECTO. CONSULTAR LAS CONFIGURACIONES DE MONTAJE DEL CABESTRANTE, PASO 16, PÁGINA 69.**

Asentar los anillos cuádruples bien lubricados (elementos núm. 44 y 45) dentro de la ranura del manguito a cada lado del conjunto del tambor (elemento núm. 1), tal como se muestra en la imagen. Colocar con cuidado el conjunto del tambor (elemento núm. 1) sobre el motor y el cojinete final (elemento núm. 10). Levantar el cojinete final de la caja de engranajes (elemento núm. 11) y ponerlo en la ubicación correspondiente del conjunto del tambor. Unir el bastidor vertical (elemento núm. 2) a los cojinetes finales. Colocar los (4) pernos (elemento núm. 32) y apretarlos manualmente. Poner los (8) tornillos de casquete con las arandelas de seguridad (elementos núm. 20 y 29). Apretar firmemente los (4) tornillos de casquete situados en la parte más interior y comprobar la rotación del tambor del cable. Apretar firmemente los (4) tornillos de casquete situados en la parte más exterior y comprobar la rotación del tambor del cable. Apretar cada uno de los tornillos de casquete, primero los que están en una posición más interna y luego los que están en una posición más externa, a 339 Nm. Apretar los (4) pernos a 41 Nm cada uno. Comprobar que el tambor del cable gira libremente en este punto.



9. Meter la chaveta (elemento núm. 12) en el chavetero del eje de entrada (elemento núm. 13) golpeándola ligeramente. Aplicar grasa generosamente en el reborde del eje de entrada (elemento núm. 13). Poner el muelle (elemento núm. 49) sobre el extremo ranurado del eje. Emplear grasa para sujetar el muelle en el sitio que le corresponde del eje. Poner el muelle y el extremo ranurado del eje a través del cojinete final del motor (elemento núm. 10) y del tambor hasta que el eje pase a través del manguito (elemento núm. 16). Colocar la arandela del embrague (elemento núm. 33) sobre el extremo ranurado del eje y contra el muelle.

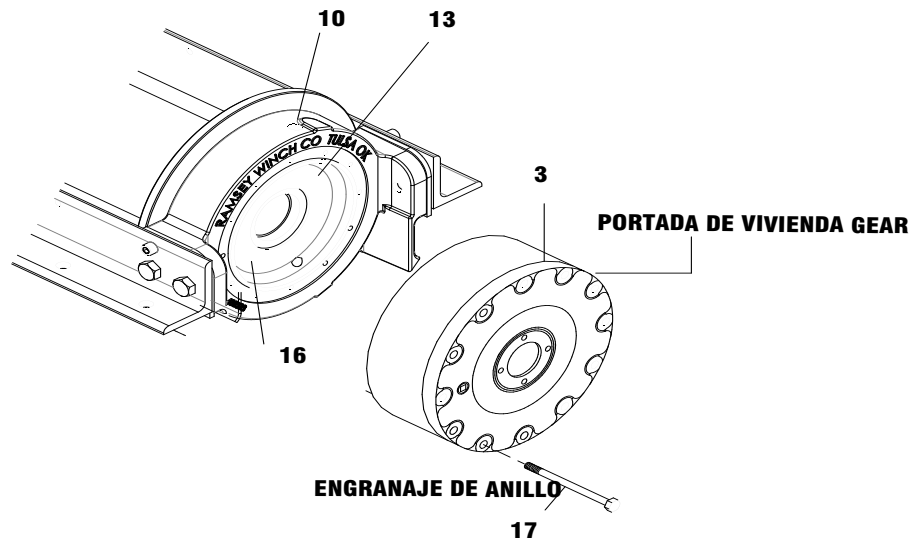
Colocar el extremo con las ranuras más largas del conjunto del acoplamiento de salida (elemento núm. 9) a través del manguito (elemento núm. 16) del cojinete final y engranar las ranuras del manguito del eje con el extremo ranurado del eje. Poner el extremo con las ranuras más cortas del eje del cambio (elemento núm. 14) a través de la arandela (elemento núm. 33) y dentro del acoplamiento del eje (elemento núm. 7), engranando las ranuras del eje del cambio con las ranuras del acoplamiento del eje.





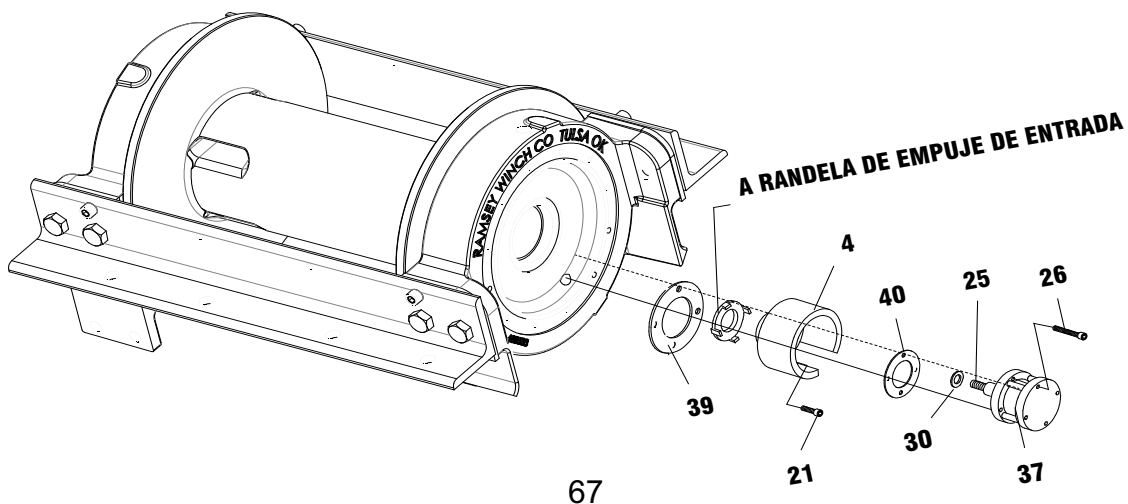
- Aplicar compuesto obturador RTV en la superficie de montaje de la corona dentada del cojinete final (elemento núm. 10). Colocar la corona dentada en el cojinete final, alineando los agujeros de ésta con los agujeros y el cojinete final de la caja de engranajes. Usar (2) tornillos de casquete para fijar temporalmente la corona dentada al cojinete final.

Poner los (2) conjuntos de transportadores de engranajes en la corona dentada, engranando los engranajes de los transportadores con la corona dentada. Quitar los (2) tornillos de casquete temporales, asegurándose de que los conjuntos de transportador y corona dentada estén bien sujetos contra el cojinete final (elemento núm. 10). Aplicar compuesto obturador RTV en la superficie de montaje de la tapa de la corona dentada (elemento núm. 3) y colocar la tapa sobre la corona dentada. Emplear (12) tornillos de casquete (elemento núm. 17) para fijar la caja del engranaje al cojinete final de la caja de engranajes. Apretar los tornillos de casquete a 53 Nm cada uno, en un patrón cruzado.



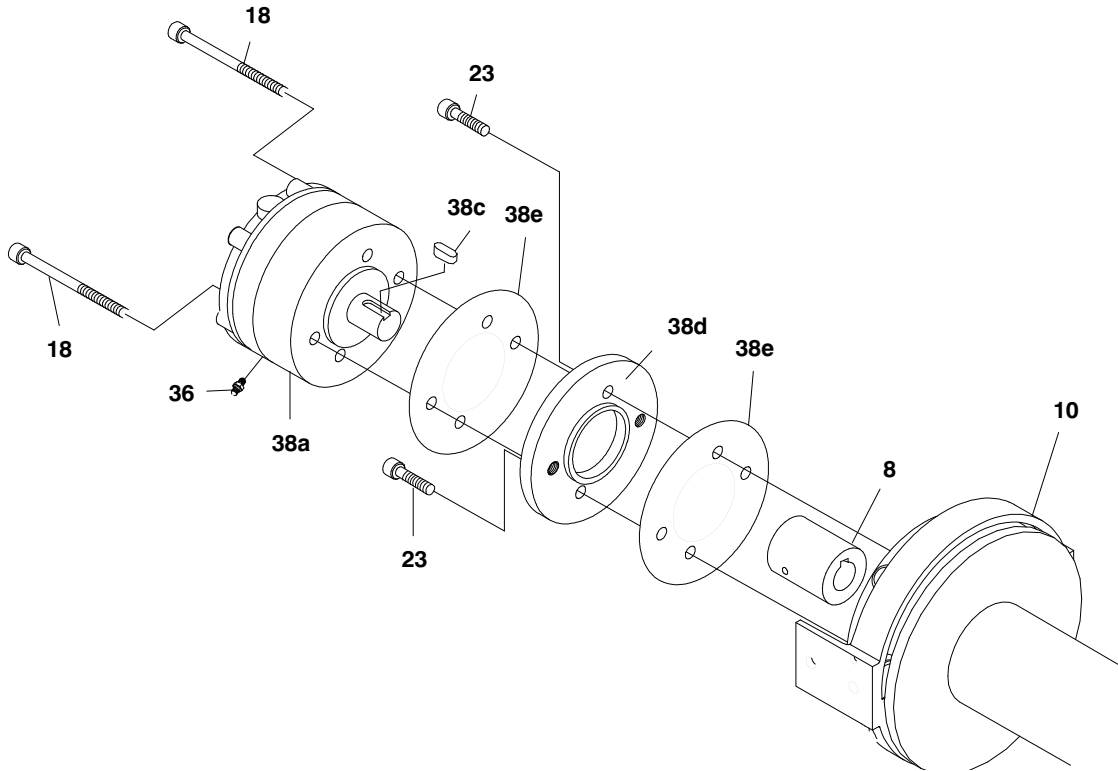
- Deslizar el engranaje planetario de entrada sobre el eje del cambio (elemento núm. 13) y engranarlo con los dientes del transportador de entrada. Aplicar grasa a la arandela de empuje de entrada y colocarla en las ranuras del adaptador del cilindro de aire (elemento núm. 4). Colocar la empaquetadura (elemento núm. 40) en la posición adecuada de la tapa de la caja del engranaje y fijar el adaptador a la tapa con los (4) tornillos de casquete (elemento núm. 21). Aplicar sellador de roscas Loctite PST a las roscas de los tornillos de casquete. Apretar los tornillos de casquete a 18 Nm cada uno, en un patrón cruzado.

Tirar de la varilla del cilindro de aire lo más lejos posible. Deslizar la arandela (elemento núm. 30) sobre el tornillo fijador (elemento núm. 25) y contra la tuerca conectada a la varilla del cilindro de aire. Poner el tornillo fijador dentro del agujero del eje del cambio (elemento núm. 13). Acoplar el cilindro de aire nuevo (elemento núm. 37) y la empaquetadura (elemento núm. 40) con sellador al adaptador empleando (4) tornillos de casquete (elemento núm. 26). Aplicar sellador de roscas Loctite PST a las roscas de los tornillos de casquete. Apretar los tornillos de casquete a 7 Nm cada uno, en un patrón cruzado.

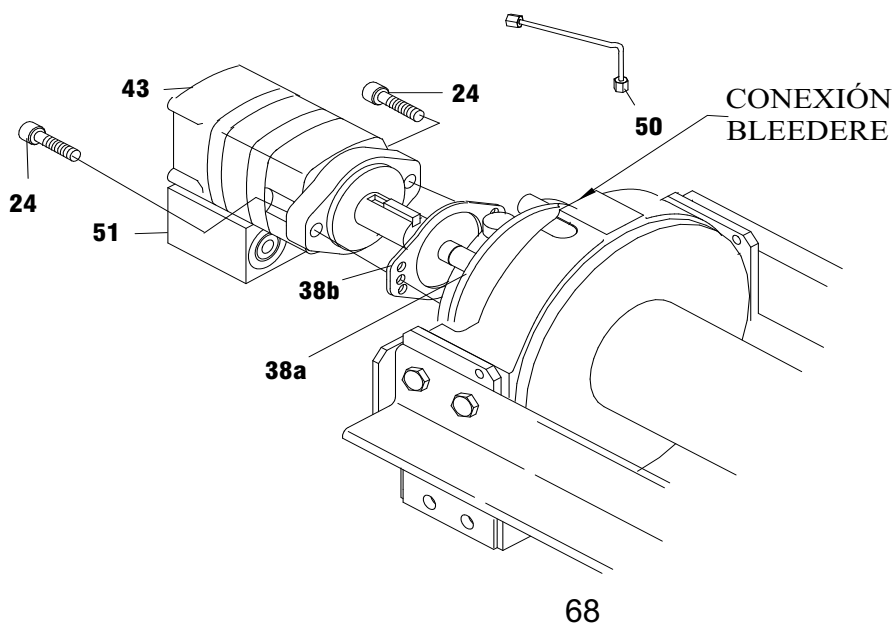


12. Alinear la chavetera del acoplamiento con la chaveta en el extremo del eje de entrada dentro del conjunto del cojinete final. Deslizar el acoplamiento sobre el extremo del eje. Poner la empaquetadura (elemento núm. 38) en la posición adecuada de la superficie de montaje del motor del cojinete final (elemento núm. 10). Emplear (2) tornillos (elemento núm. 23) para fijar la placa del adaptador (elemento núm. 38d) al cojinete final del motor. Apretar los tornillos de casquete a 115 Nm cada uno. Colocar la segunda empaquetadura (elemento núm. 38e) sobre la placa del adaptador. Insertar el eje del freno con chaveta (elemento núm. 38c) en el acoplamiento. Volver a acoplar el freno (elemento núm. 38a) a la placa del adaptador con los tornillos del conjunto del freno (elemento núm. 18). Apretar los tornillos de casquete a 132 Nm cada uno.

**Nota:** comprobar minuciosamente que el conjunto del freno y la placa del adaptador se han acoplado correctamente antes de colocar los pernos del conjunto (elemento núm. 18). En caso contrario, el anillo sujetador del eje o el rotor pueden resultar dañados.

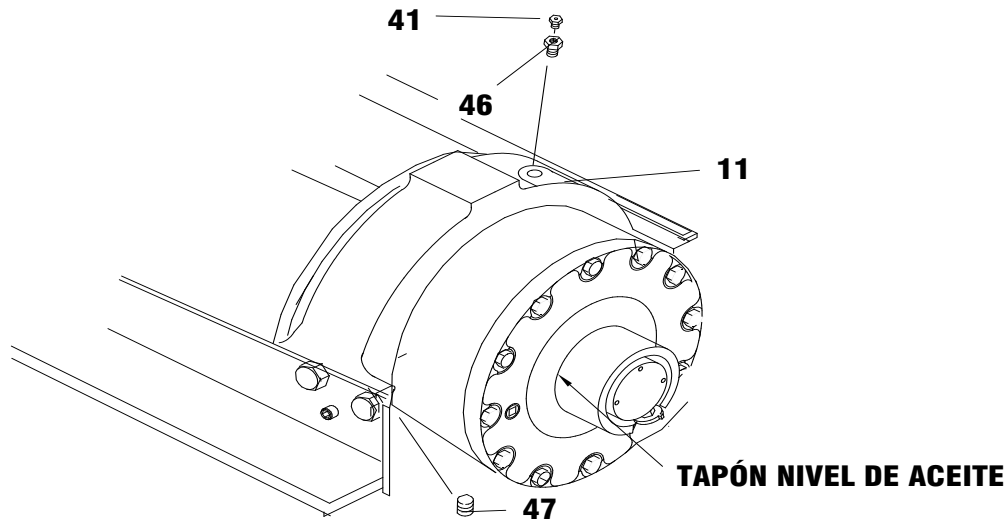


12. Fijar el motor (elemento núm. 43) con la empaquetadura (elemento núm. 38b) al freno (elemento núm. 38). Emplear (2) tornillos de casquete (elemento núm. 24) y apretar a 100 Nm cada uno. Conectar el tubo (elemento núm. 50) al codo (elemento núm. 35) en la parte inferior de la válvula y a la conexión (elemento núm. 36) en la parte inferior del freno (elemento núm. 38).



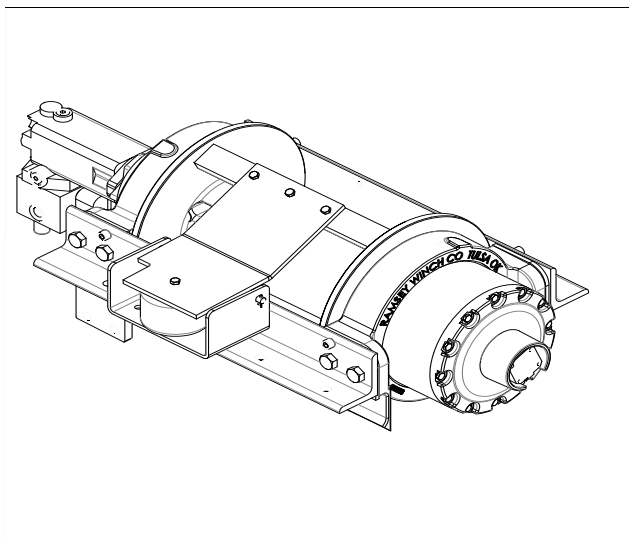
- Aplicar Permatex a las roscas del tapón (elemento núm. 47). Enroscar el tapón en el agujero roscado situado en la parte inferior del cojinete final de la caja de engranajes (elemento núm. 11). Verter unos 1,2 l de aceite SAE 80W-140 en el cojinete final. Comprobar el nivel del aceite quitando el tapón del aceite indicado abajo. Insertar la conexión de alivio (elemento núm. 41) y el reductor de rosca (elemento núm. 46) en el cojinete final del agujero de llenado de aceite.

Instalar el cabestrante y conectar las tuberías de presión. Purgar la sección de salida de presión del freno. Para ello, aflojar el conector del purgador del freno de modo que el aire salga al aplicar lentamente presión del sistema hidráulico al cabestrante (consultar la sección del conector del purgador en el paso 13). Aplicar una presión de por lo menos 15,9 bares para soltar el freno y verificar que el freno se suelta observando que gira el tambor del cabestrante.

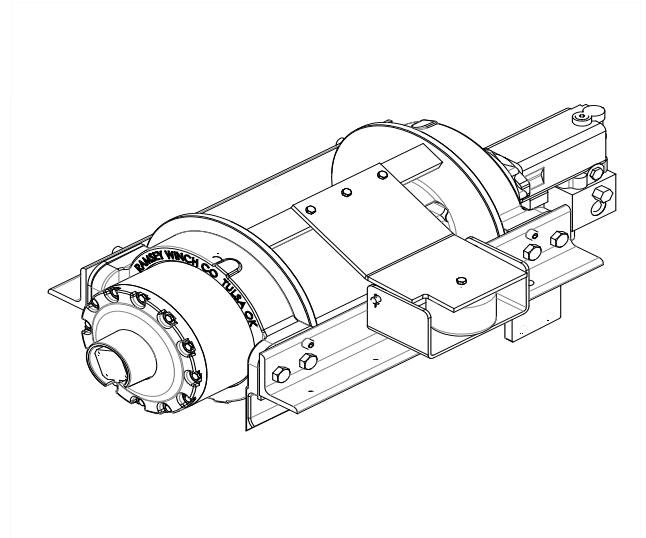


- Comprobar el funcionamiento correcto del embrague aplicando presión de aire en el cilindro de aire del embrague para desengranar el embrague. Verificar que el cabestrante se enrolla libremente. Volver a engranar el embrague. Cuando el embrague se engrana se oye un ruido fuerte. El tambor del cabestrante no debe enrollarse libremente.
- Hacer funcionar el cabestrante hacia delante y hacia atrás para verificar que gira el tambor.

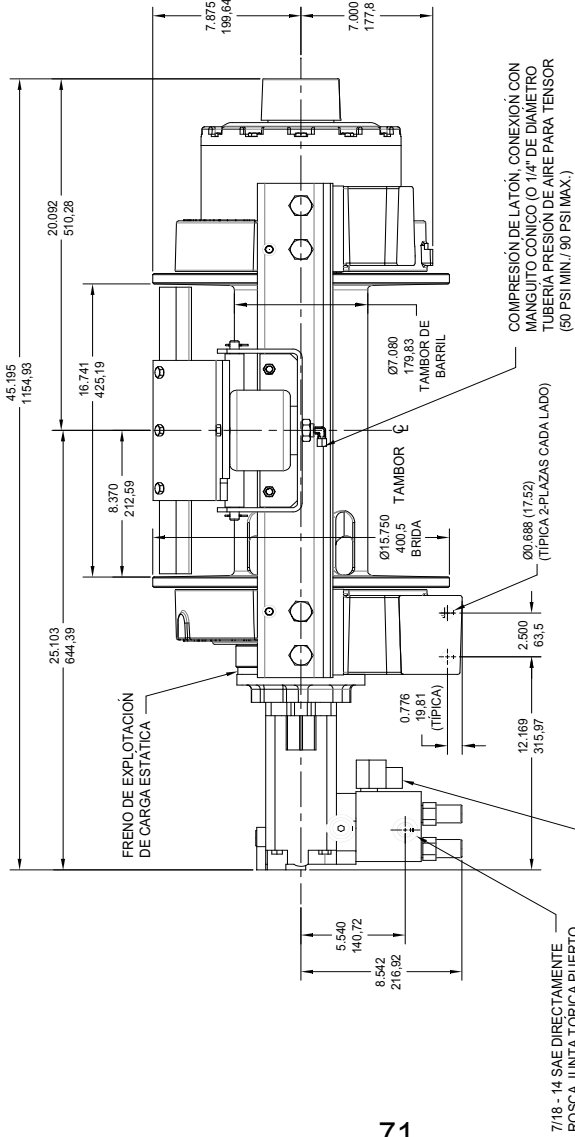
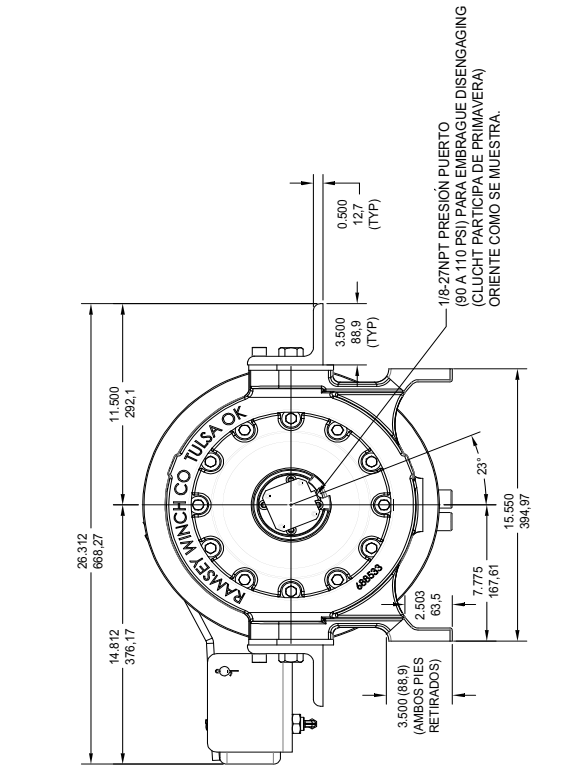
## CONFIGURACIONES DE MONTAJE DEL CABESTRANTE

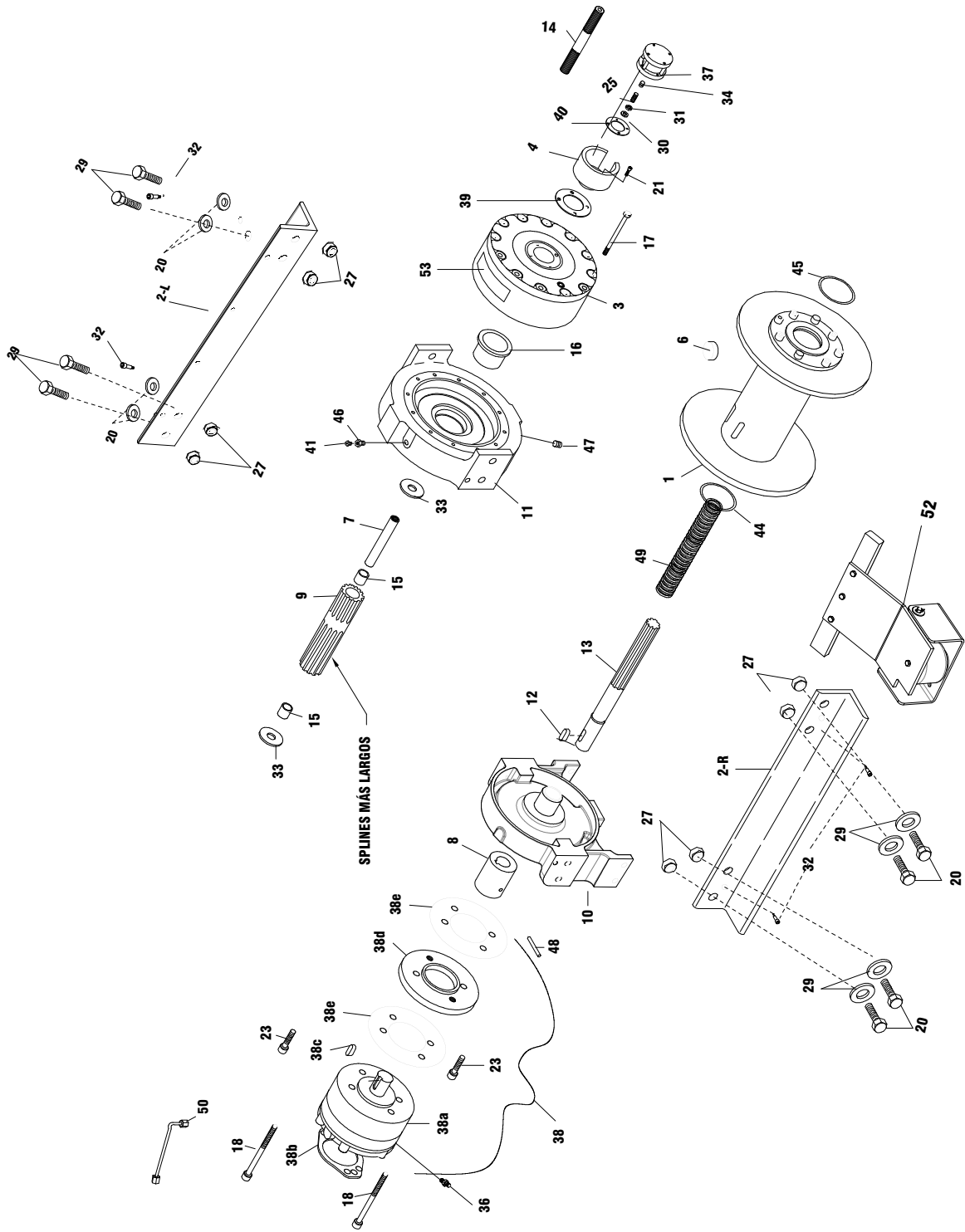


MONTAJE DE LA MANO DERECHA



MONTE DE MANO IZQUIERDA





## LISTA DE PIEZAS RPH111,2

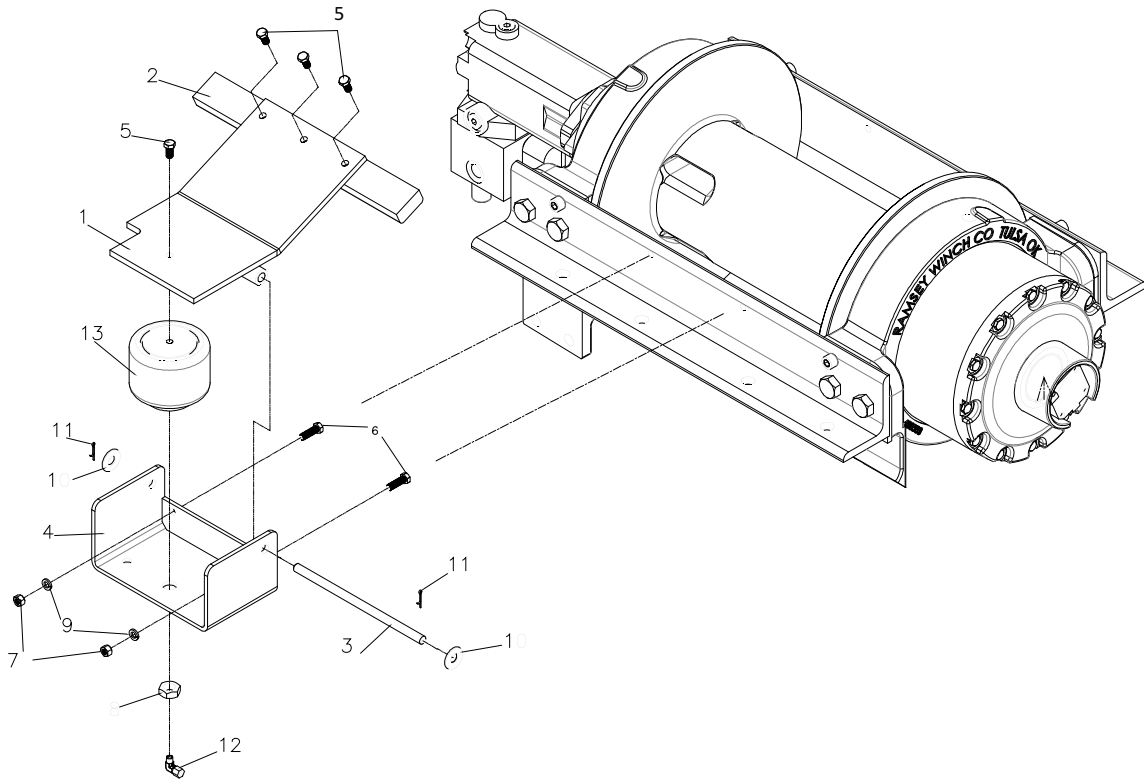
NÚMERO DE	NÚMERO DE PIEZA	DESCRIPCIÓN	NÚMERO DE ARTÍCULO	CANTIDAD	NÚMERO DE PIEZA	DESCRIPCIÓN
1	234225	ASAMBLEA-TAMBOR, RPH 133,4	31	1	418433	TUERCA-LOCK, 16/5-24NF THK X 3/16.
2-L	303173	MONTAJE EN ÁNGULO, LH, RPH 133,4	32	4	418453	PERNO-HOMBRO,.50 X.75 LG./ .375-16
2-R	303174	MONTAJE EN ÁNGULO, RH, RPH 133,4	33	2	418462	EMBRAGUE ARANDELA 2,125 OD X.878 ID X.070
3	296433	CUADRO MARIPOSAS-SUB-UP, RPH-30.000 DEL ENGRANAJE	34	1	426045	INSERCIÓN DE ROSCA,.312-24NF, IPH-45000
4	300069	ADAPTADOR DE AIRE CYL, RPH-30.000, ALUMBRE.	35	1	432018	CONEXIÓN Parker # 4 - C5OX-S T-LOK, 7, 16-20 90 grados
5	474229	ESPACIADOR-TIE PLATE, GRAN TAMBOR DE PESTAÑA, RPH 30/35	36	1	432023	CONEXIÓN-7/16-20, PARKER # 0503-4-4/EC
6	315010	ANCLAJE DE CUERDA-RPH 133,4	37	1	433014	AIRE CILINDRO EMBRAGUE PARTICIPAR DESENCAJAR RPH-30000
7	324286	EJE DE ACOPLAMIENTO, 1.375 DIA, RPH-30.000	38	1	438037	AUSCO Modular de freno # 76971, Rph30000 hasta 50000
8	324287	MOTOR DE ACOPLAMIENTO, RPH-30.000	*39	1	442216	ADAPTADOR DE LA JUNTA, AIRE CYL, CORK, #VCN-60
9	324288	SALIDA DE ACOPLAMIENTO, RPH-30.000	*40	1	442217	JUNTA-AIRE CYL,.031 THK. CORCHO, RPH30
10	338356	FINAL RODAMIENTO-MOTOR, MTD DE PIE. MECANIZADOS, RPH 30/35	43	1	458101	MOTOR HIDRÁULICO C# 104-2012,2000,2-VELOCIDAD
11	338427	FINAL MECANIZADAS de rodamientos, engranajes laterales, RPH 133,4 & RPH 111,2	*44	1	462013	QUAD-RING-2 7/8ODX2 1/2IDX3/16Q4333
12	342081	CLAVE-RD ENDS,5/16X5/16X1.5LG,HT,PURC	*45	1	462050	QUAD-RING-MINN GOMA # Q4343-366Y
13	357535	EJE DE ENTRADA, RPH 133,4 HEAT TREAT	46	1	468004	REDUCTOR-1/2-1/8NPTF, HEX, STL LLANURA
14	358065	EJE ENTRADA SHIFTER, RPH-30.000	47	1	468019	TUBERÍA PLUG-1/2-14NPTF, HEX SOC HD
15	402119	RODAMIENTO-GARLOCK # 22DU16 O EQUIV.	48	1	470089	ROLLO PIN-UNBRAKO # 21-S-250-1875/EQUI
16	412086	COJINETE DE EMPUJE, GEAR HSG, IPH-45000	49	1	494108	MUELLE EMBRAGUE SHIFTER, .192DIA, RPH30
17	414272	TORNILLO-3/8-16NCX5 1/2 HXHD, GR5, P/BLK CAPSCREW-1/2-13NC x 3-1/2 LONG, HX SOC HD,	50	1	509125	ASAMBLEA-TUBO, LANZAMIENTO DE FRENOS HIDRÁULICOS, AUSCO FRENO VÁLVULA-C'BALANCE, DOBLE CARTUCHO, 2 SPD, 24V, CAP PRUEBA DE
18	414595	GR8, acabado de óxido negro	51	1	516065	MANIPULACIONES
20	414778	CAPSCREW-3/4-10NC X 2 1/4LG, HXHD, GR-5	52	1	299755	SENSOR DE LA ASAMBLEA-AIRE, ÚNICO ACTUADOR, TAMBOR LARGO
21	414400	CAPSCREW-3/8-24NF X4LG, HXHD, GR-5	53	1	434737	NOMBRE DE LA ETIQUETA Y DATOS RPH111, 2
22	414935	CAPSCREW-3/8-16NCX2 1/2, HXSOCHD	54	1	914217	MANUAL-RPH 133,4 CE DEL PROPIETARIO (EN 14492 - 1)
23	414947	CAPSCREW-1/2-13NC X 1 LG, HEX SOC HD	55	1	251310	VARIOS IDIOMAS EN DECAL KIT RPH111, 2
24	414948	CAPSCREW-1/2-13NCX1 1/4LG, ZÓCALO HD	56	1	911170	MANUAL DE INSTALACIÓN RPH111, 2
25	416051	SETSREW-5/16-24NF X 1, SOCHD, COPA	57	1	472059	BOLSA DE PLÁSTICO, 9 X 12, MANUAL DEL PROPIETARIO, ETC.
26	416233	TORNILLO-# 10-24NC X 2 1/2, HXSOCHD				
29	418249	LOCKWASHER-3/4 ID MED SECTA, ZINC PLT				
30	418432	ARANDELA DE EMPUJE, NYLATRON, 5/16 ID				

\*ESTAS PIEZAS FORMAN PARTE DEL KIT DE JUNTAS Y EMPAQUETADURAS NÚM. 245045. TAMBIÉN SE INCLUYEN (3) JUNTAS TÓRICAS EN EL CONJUNTO DEL TAMBOR 234225; CONSULTAR LA PÁGINA 7.

## **VERIFICACIÓN DEL TENSADOR DEL CABLE**

Consulte el diagrama de piezas del tensador del cable que se incluye en la siguiente página para ver cómo se monta el tensador. El tensador del cable necesita que exista una fuente de aire independiente y ajustable de entre 3,4 bares y 6,2 bares. **No utilizar el cabestrante con el tensador con corriente con un tambor desnudo.** El cabestrante solo debe utilizarse con al menos una vuelta del cable alrededor del tambor con el tensador con corriente.

1. Para quitar el tensador de aire del cabestrante, desconectar la fuente de aire del tensador. Quitar los tornillos de casquete (elemento núm. 8), las arandelas de seguridad (elemento núm. 11) y las tuercas (elemento núm. 9) que fijan el tensador al bastidor del cabestrante. Desmontar el tensador como se muestra en la siguiente página y quitar las piezas que estén desgastadas.
2. Volver a montar el conjunto del tensador. Montar el tensador al bastidor del cabestrante, colocando los espaciadores (elemento núm. 4) entre el soporte del tensador y el bastidor del cabestrante. Centrar la barra del tensador (elemento núm. 2) entre las bridas del tambor con un metro o escala. Apretar los pernos de montaje a un par de 102 Nm.
3. Colocar el cable en el tambor. Después de algunas vueltas del cable en el tambor, conectar la fuente de aire a la conexión en T (elemento núm. 14) para aplicar corriente al tensador con el tambor. Cuando el cable se enrolle en el tambor, observar el tensador para asegurarse de que se mueve libremente y de que no toca ninguna de las bridas del tambor.
4. Ajustar la fuente de aire hasta que el cable no se enrede cuando se enrolle libremente.



## TENSOR PARTES LISTA PARA RPH111, 2

NÚMERO	CANTIDAD	NÚMERO	DESCRIPCIÓN
1	1	265102	WELDMENT-BRAZO DE PALANCA DE AIRE DEL TENSOR
2	1	304190	BAR-AIRE DEL TENSOR, RPH 133,4
3	1	346046	PIN-PIVOT, CABLE TENSOR, RPH20/50
4	1	408362	SOPORTE-AIRE DEL TENSOR, MECANIZADO
5	4	414278	CAPSCREW-3/8-16NCX3/4LG, HXHD, Z/P, G5
6	2	414316	CAPSCREW-3/8-16NCX1 1/4, HXHD, Z/P, G5
7	2	418045	TUERCA-3/8-16NC HEX REG GR.5MIN,ZINC P
8	1	418098	MERMELADA DE NUEZ-3/4-16NF HEX
9	2	418177	LOCKWASHER-3/8 MED SECTA, REVESTIDO DE ZINC
10	2	418223	ARANDELA-1/2 USS PLANA, REVESTIDO DE ZINC
11	2	424005	PASADOR-1/8DIA X 1 LG
12	1	432033	CONEXIÓN-AIRE, 90 DEG.ELB # 169 C-4-2/EC
13	1	433029	PRIMAVERA-AIRE, DE CABLE TENSOR, ENIDINE YI-1S4-007



