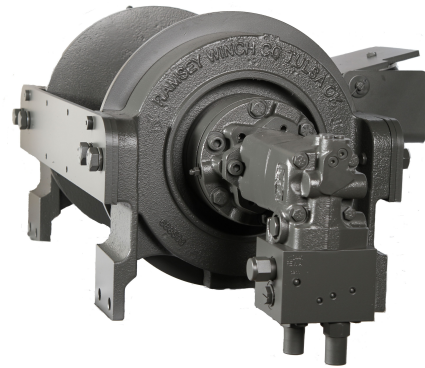




RPH-111,2



- Rated Line pull 111,2 kN
- Recommended cable 16 mm
- Available with a Blocked Clutch
- Motor spool directional control valve required
- Available with air shift
- EN 14492-1 Compliant
- Made in the USA



RPH-111,2 Features

- Spring applied, hydraulic released multi disc brake
- High efficiency planetary gear set
- Foot mount or mid mount
- Fairlead and cable tension optional
- Manual or air operated free spool

Applications

- Towing & Recovery
- Petroleum
- Forestry
- Mining
- Construction
- Refuse

Specifications

Rated Line Pull 111,2 kN
Gear Reduction31.89:1
Weight261 kgs

LAYER OF CABLE		1	2	3	4
*RATED LINE PULL PER LAYER	kN	111,2	95,2	83,6	74,2
*CABLE CAPACITY	M.	13	30	50	73
*LINE SPEED (at 15 GPM)	MPM	6,8	7,8	8,9	10,5

* These specifications are based on recommended 16 mm (.63") Bridon Dyform 34LR/PI/Max 1960 grade wire rope or equivalent with minimum breaking strength of 222,4kN (50,000 lb) and a 157 cc (9.6 cu in) / Rev. motor.

Winch Dimensions

