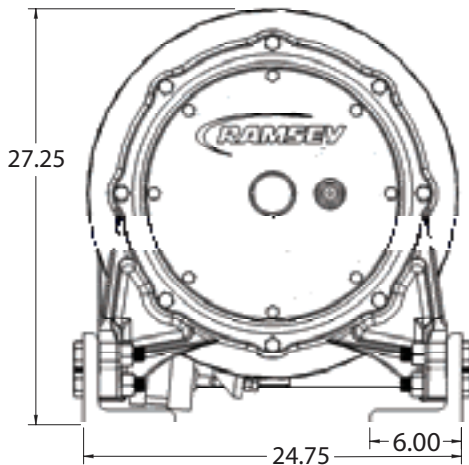
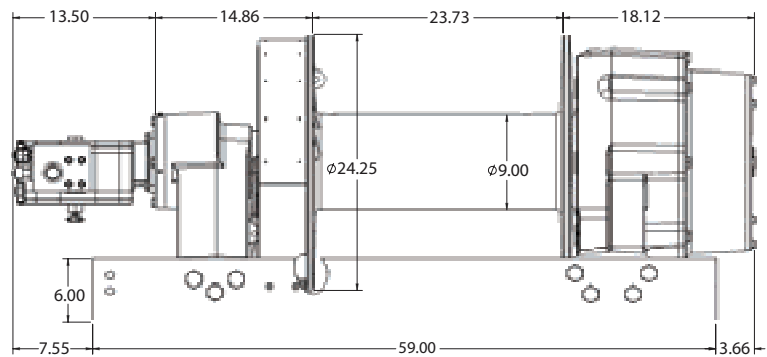
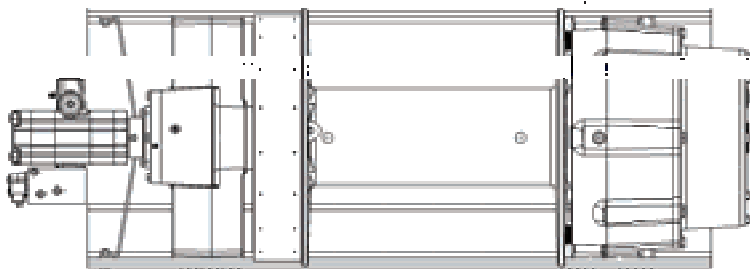
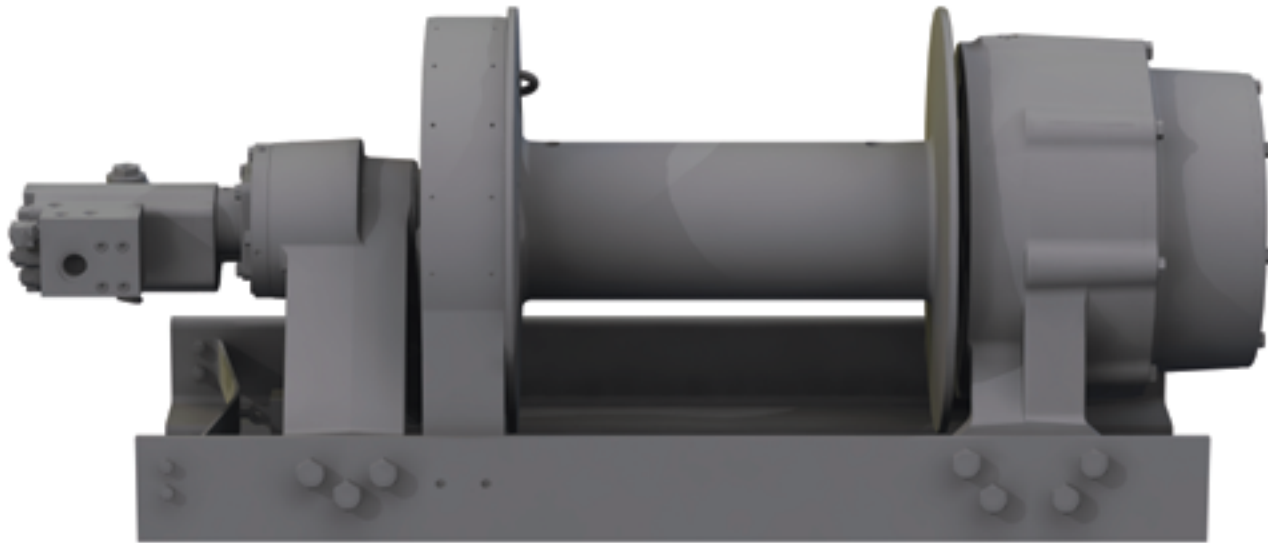


WILDCAT 130K WINCH



Ramsey's new Wildcat Oilfield Winch designed for demanding oilfield applications

- One piece spline clutch
- 130,000 lbs. 1st layer line pull
- Highly efficient planetary gear set
- Spring applied hydraulic released brake superior load control
- Air actuated band brake
- 2 speed gear motor
- Meets SAE J706
- Oilfield proven free spool clutch
- Symmetrical design offers streamline mounting



PERFORMANCE										
APPROXIMATE WEIGHT:									2300LBS	
WORKING PRESSURE:									2500 PSI	
CABLE DIAMETER:									1 1/8 INCH	
FLOW:									60 GPM	
LAYER	CABLE CAPACITY		LOW SPEED				HIGH SPEED			
	Ft	m	LINE PULL	LINE SPEED	LINE PULL	LINE SPEED	LINE PULL	LINE SPEED	LINE PULL	LINE SPEED
			Lb	Kg	fpm	mpm	Lb	Kg	fpm	mpm
1	45	13	130000	58960	15	4.5	59000	26760	31	9.4
2	105	32	106300	48210	18	5.4	48300	21900	38	11.5
3	180	54	90000	40820	21	6.3	40900	18550	44	13.3
4	260	79	78000	35380	24	7.2	35400	16050	50	15.2
5	355	108	68800	31200	27	8.2	31200	14150	57	17.3

WARNING
Winches and capstans are not intended to be used for lifting or moving of persons.

CAUTION
The last 5 wraps of cable must be left on the drum to assist the cable clamp in holding the load.

