

RAMSEY WINCH

SCH 8500

Ramsey sevice crane hoists are developed to meet a need for increased line speed of crane applications and other industrial uses. Features single lubricant for all temp ranges and are light weight.

WARNING

Hoists are NOT to be used to lift, support or otherwise transport personnel.

Specifications:

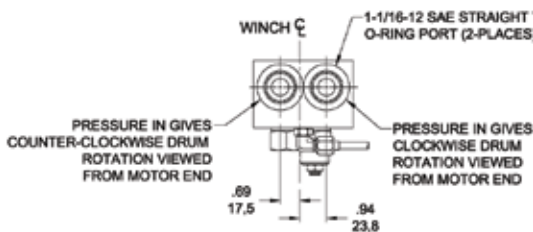
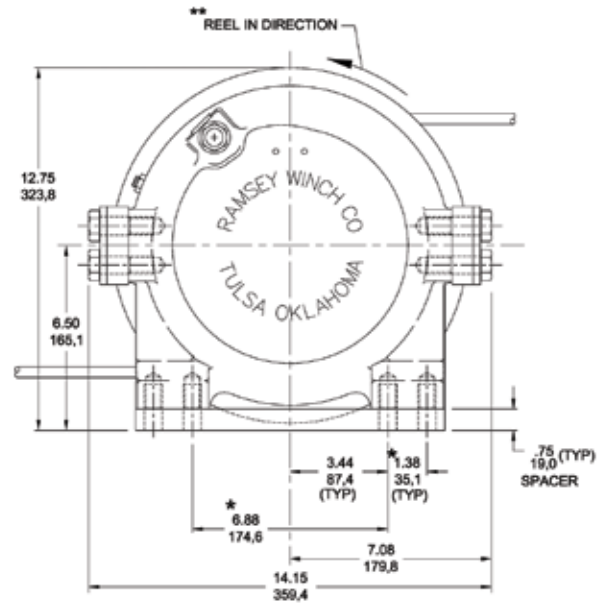
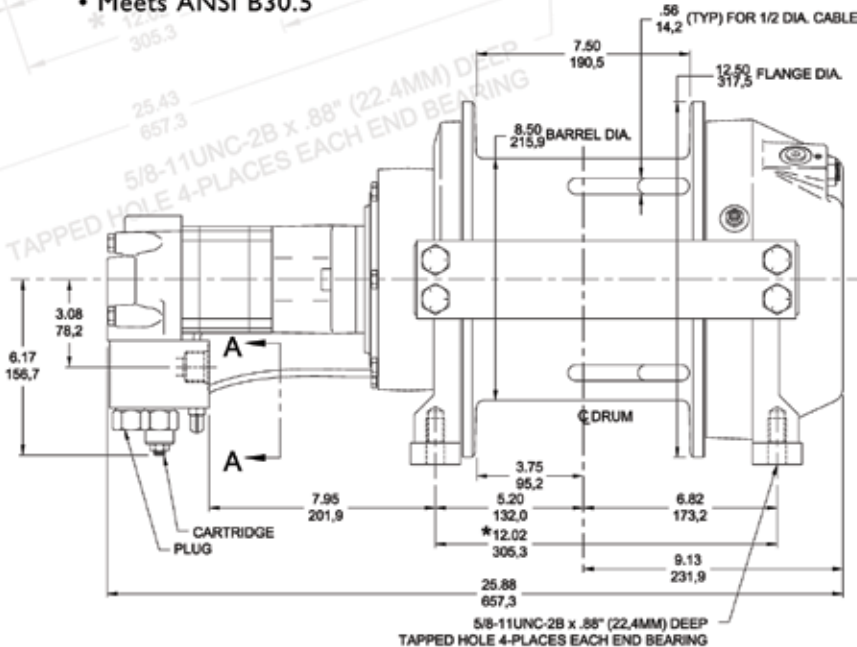
- Rated Line Pull: 8,500 lbs. (First Layer) (3,850 kgs)
- Gear Reduction Ratio: 7.7:1
- Weight 295 lbs. (134 kgs) without cable
- Recommended Wire Rope Dia: 1/2 in.
- Hydraulic Pressure Required for Rated Line Pull: 2,100 PSI
- Hydraulic Flow required for Rated Line Speed: 15 GPM
- 18.7 Cu In motor
- Meets ANSI B30.5



Part Number 123419

Layer of Cable

		1	2	3
Line Pull	lbs	8500	7600	6900
	kgs	3850	3440	3120
Line Speed	fpm	49	54	59
	mpm	19	21	23
Cable Capacity	ft	30	65	100
	m	9	19	30



* WINCH MOUNTING CAPSCREWS MUST MEET OR EXCEED SAE GRADE 5 SPECIFICATION
NOTE: THESE HOLE LOCATIONS MUST BE HELD WITHIN $\pm .03$ " (0.8 MM) OF TRUE POSITION. RECOMMENDED MOUNTING HOLE DIAMETER IS .53" (13.5 MM).

** REEL-IN DIRECTION CAN BE REVERSED BY EXCHANGING POSITIONS OF THE PLUG AND CARTRIDGE IN COUNTERBALANCE VALVE.

DIMENSIONS SHOWN ARE INCHES OVER MILLIMETERS