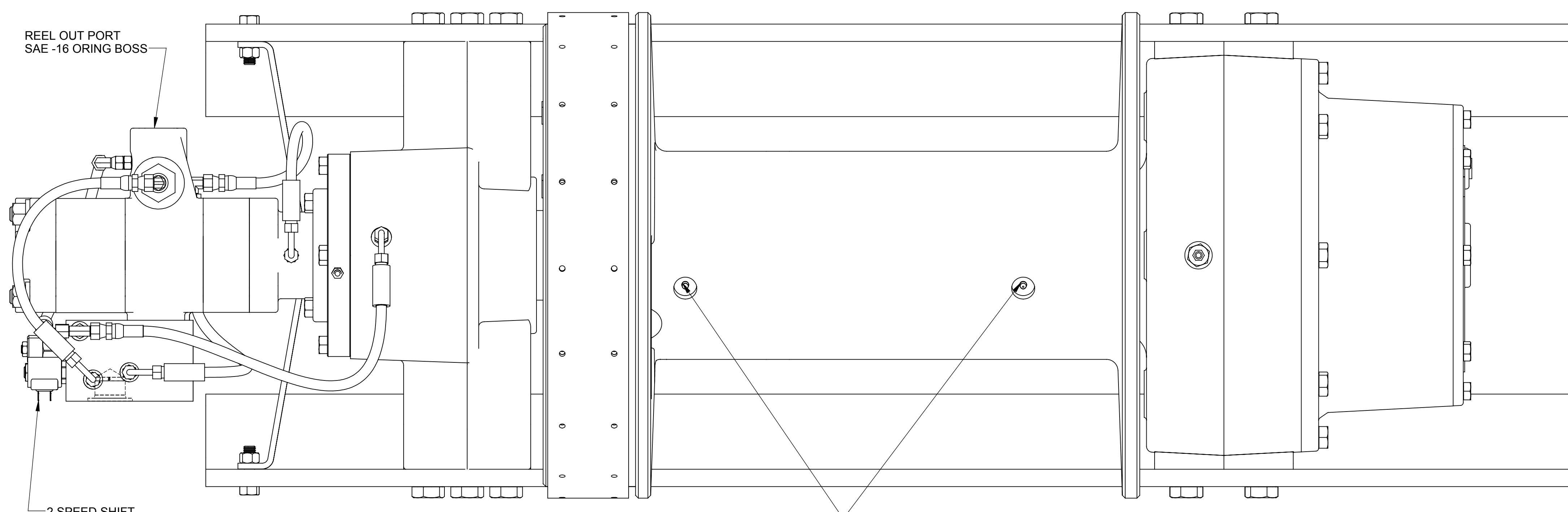


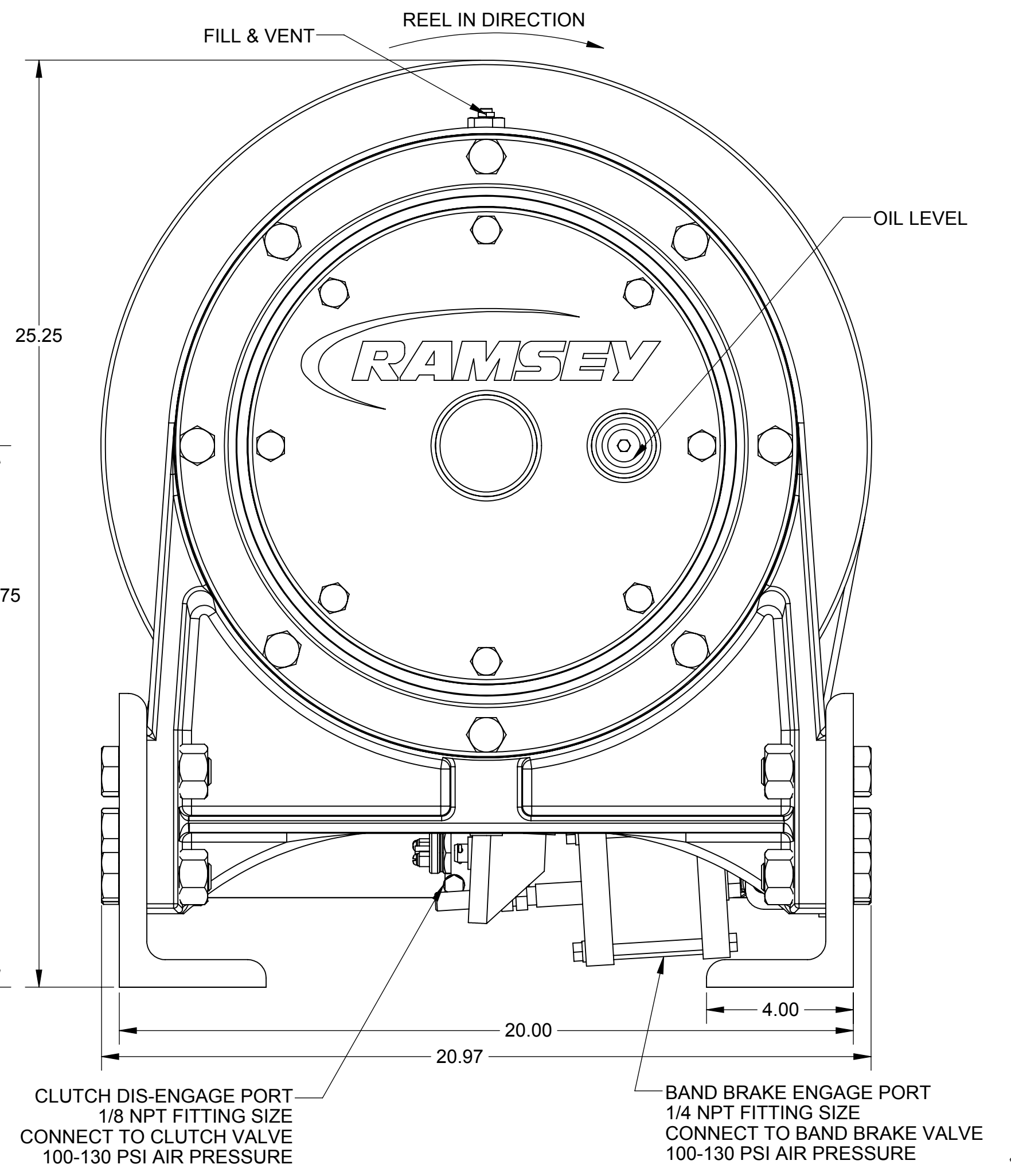
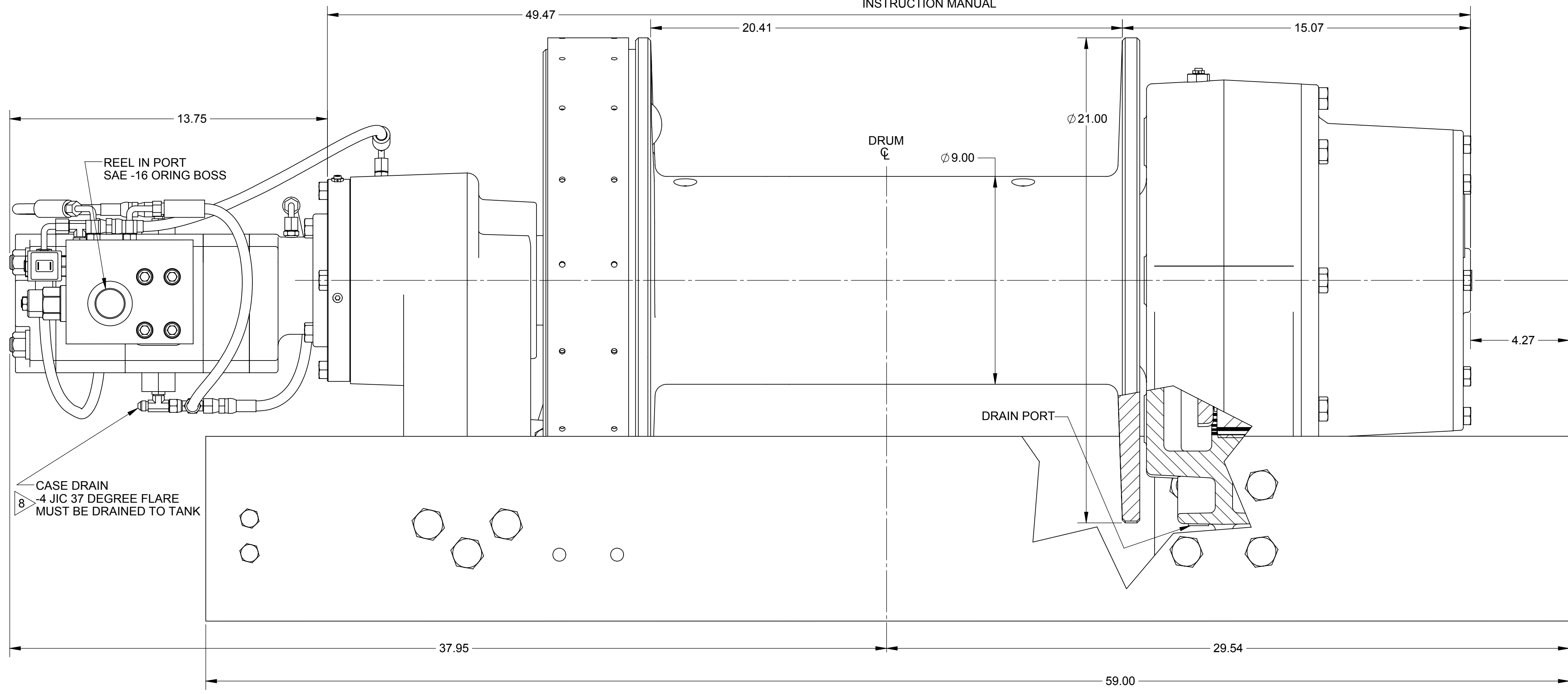
THIS PRINT IS PROVIDED ON A RESTRICTED BASIS AND IS NOT TO BE USED IN ANY WAY DETRIMENTAL TO THE INTERESTS OF THE RAMSEY WINCH COMPANY.

REVISIONS				
SYM	DESCRIPTION	ECN	DATE	DR.
A	RELEASE FOR PRODUCTION		2-19-08	BY
B	ADDED VARIOUS DIMENSIONS AND NOTES	30368	11-8-12	JAM



PERFORMANCE										
APPROXIMATE WEIGHT:	1400 LBS									
WORKING PRESSURE:	2600 PSI									
CABLE DIAMETER:	1 INCH									
FLOW:	60 GPM									
LAYER	CABLE CAPACITY		LOW SPEED				HIGH SPEED			
	Ft	m	LINE PULL		LINE SPEED		LINE PULL		LINE SPEED	
			Lb	Kg	fpm	mpm	Lb	Kg	fpm	mpm
1	50	20	80000	36280	30	9	30075	13639	60	18
2	115	45	66600	30200	36	11	25038	11353	72	22
3	185	73	57100	25900	42	13	21466	9737	84	26
4	270	106	50000	22670	48	15	18797	8523	96	29
5	365	144	44400	20130	54	16	16692	7568	108	33

- NOTES:
- WINCH IS NOT TO BE USED FOR LIFTING OR MOVING OF PERSONS.
  - 5 WRAPS OF CABLE MUST BE LEFT ON THE DRUM TO HOLD LOAD.
  - MOTOR PORTS ARE SAE-16 O-RING
  - SHIFT SOLENOID IS 12VDC
  - 100-130 PSI AIR PRESSURE REQUIRED FOR BAND BRAKE AND CLUTCH CYLINDERS.
  - LUBRICANT CAPACITY 9 QUARTS
  - RATIO: 155:1
  - CASE DRAIN MUST BE CONNECTED FOR PROPER WINCH FUNCTION.



INCH TOLERANCE UNLESS OTHERWISE SPECIFIED DECIMALS .X ±.06    .XX ±.030    .XXX ±.010 ANGULAR ±0° 30' DEGREES UNLESS OTHERWISE SPECIFIED, ALL DIMENSIONS ARE IN INCHES.	NAME	DATE	TITLE		REV. B SHEET 1 OF 1	
	DRAWN BY	BY	2/19/08			ASSEMBLY 80K WILDCAT
	APPROVED BY	SEE ECN				
	SCALE (DO NOT SCALE) NEXT ASSY	1:1				