



TEREX

TX760B

Tractor Loader Backhoe



| | |
|-------------------------|--------------------------|
| OPERATING WEIGHT | 15,151 lbs (6,887 kg) |
| NET ENGINE POWER | 86 hp (64.3 kW) |
| DIG DEPTH (STD) | 14' 8" (4.5 m) |
| DIG DEPTH (EXT) | 19' 3" (5.9 m) |

TRACTOR LOADER BACKHOE
TX760B

Specifications

| Engine | |
|---|-----------------------------|
| Manufacturer, model | Perkins, Model 1104C-44TL |
| Induction | Turbo |
| Gross power rating @ 2,200 rpm (SAE J 1349) | 92 hp (68.5 kW) |
| Net power rating @ 2,200 rpm (SAE J 1349) | 86 hp (64.3 kW) |
| Net torque @ 1,400 rpm (SAE J 1349) | 275 lbf (375 Nm) |
| Displacement | 269 in ³ (4.4 L) |
| Tier-2 1100 Series with reduced noise and lower exhaust emissions. Electric fuel lift pump for increased reliability. Easy service EcoPlus fuel filters. Service periods at 500 hours. Integrated closed circuit breather further reduces emissions. Key stop/start. Two-stage dry air cleaner. | |

| Electrical System | |
|---|----------------------------------|
| Alternator (100 amps on AC units) | 75 A |
| Battery (single) | 770 CCA, 115 amp/hr - 12 V |
| Battery (double) | 590 CCA - each, 72 amp/hr - 12 V |
| Battery step-mounted for good access. Low maintenance battery. Connectors sealed against water and dust. 33 circuit fuses. 25 circuit relays. | |

| Transmission & Ground Speeds | | |
|--|---|---|
| Turner transmission. Power shuttle gearbox with 4 speeds forward and 4 speeds reverse. Single-stage torque converter with 3.01:1 stall ratio. Fast, smooth gear changes on the move. High transport speed reduces highway travel times. High tractive effort in first and second gears for high loader performance. Modulated forward and reverse clutch packs enable smooth direction changes. 4WD standard and 2WD optional. Front console switch allows effortless engagement of 4WD on the move. | | |
| | 2WD | 4WD |
| Tires: | 11Lx16 12 ply front 19.5Lx24 10 ply rear | 12.5/80x18 10 ply front 19.5Lx24 10 ply rear |
| Travel speeds | 1 | 3.1 mph (5.0 km/h) |
| In Forward | 2 | 4.9 mph (8.0 km/h) |
| and Reverse | 3 | 11.4 mph (18.3 km/h) |
| | 4 | 22.9 mph (36.9 km/h) |

| Turning Circle (4WD) | | |
|----------------------|----------------|------------------|
| | Over tires | Over bucket |
| Without brakes | 25' 3" (7.7 m) | 35' 1" (10.7 m) |
| With brakes | 22' 3" (6.8 m) | 32' 10" (10.0 m) |

Specifications

| Axles | | |
|--|------------------------|------------------------|
| | Front | Rear |
| Static loading rating | 28,300 lbs (12,863 kg) | 32,498 lbs (14,772 kg) |
| SAE J 43 | 13,655 lbs (6,207 kg) | 13,541 lbs (6,155 kg) |
| Outboard planetary final drives for easier servicing. Foot-actuated differential lock for ease of operation. 16° front axle oscillation to maintain maximum ground contact and traction. | | |

| Brakes | |
|--|--|
| Power boosted, long life sealed wet disk brakes. Self-equalizing and self-adjusting. Friction area per brake assembly 113 in ² (728 cm ²). Selectable 2 or 4 wheel braking. | |

| Fluid Capacities | |
|-------------------------------|------------------|
| Fuel tank | 34.2 gal (130 L) |
| Engine coolant | 4.2 gal (16 L) |
| Engine oil (including filter) | 2.2 gal (8.5 L) |
| Transmission | 4.0 gal (15 L) |
| Rear axle (4WD) | 4.6 gal (17.5 L) |
| Front axle (4WD) | 3.3 gal (12.5 L) |
| Hydraulic system | 37.6 gal (143 L) |

| Hydraulic System | |
|--|---------------------|
| Main pump @ 2,200 rpm | 21 gpm (80 Lpm) |
| Secondary pump @ 2,200 rpm | 16.5 gpm (62 Lpm) |
| System main relief setting | 3,250 psi (225 bar) |
| Unloader settings | 3,000 psi (207 bar) |
| Closed center system incorporating load-sensing and flow-sharing. Twin gear pumps for reliability. Power Boost to match digging power and speed to application. Automatic or manually activated to give more precise control as required. Single pedal operation of auxiliary circuit and extending dipper (optional). Hydraulic oil cooler reduces operating temperatures and tilts forward for easy cleaning. Hydraulic tank and filter easily accessed from ground level. Commercial hydraulic pumps. Rexroth hydraulic valves. Pacoma hydraulic cylinders. | |

| Cab (Optional) | |
|---|-----------|
| TIM cab. Wide opening door with steps and large grab rails. Large windows, lowline curved hood and full depth rear window enhance all-around visibility. Door windows can be partially or fully opened for ventilation. Raised rear window provides ventilation and protection from the rain. Backlit, touch-operated switches. Adjustable tilt steering wheel. Two front and rear defrosting vents. Powerful 3-speed heater with two forward and three rear vents. Adjustable rear working lights. | |
| Noise emission ambient LWA | 78 dB (A) |
| Air conditioning option available. | |
| Four-post, open-ROPS as standard equipment. | |

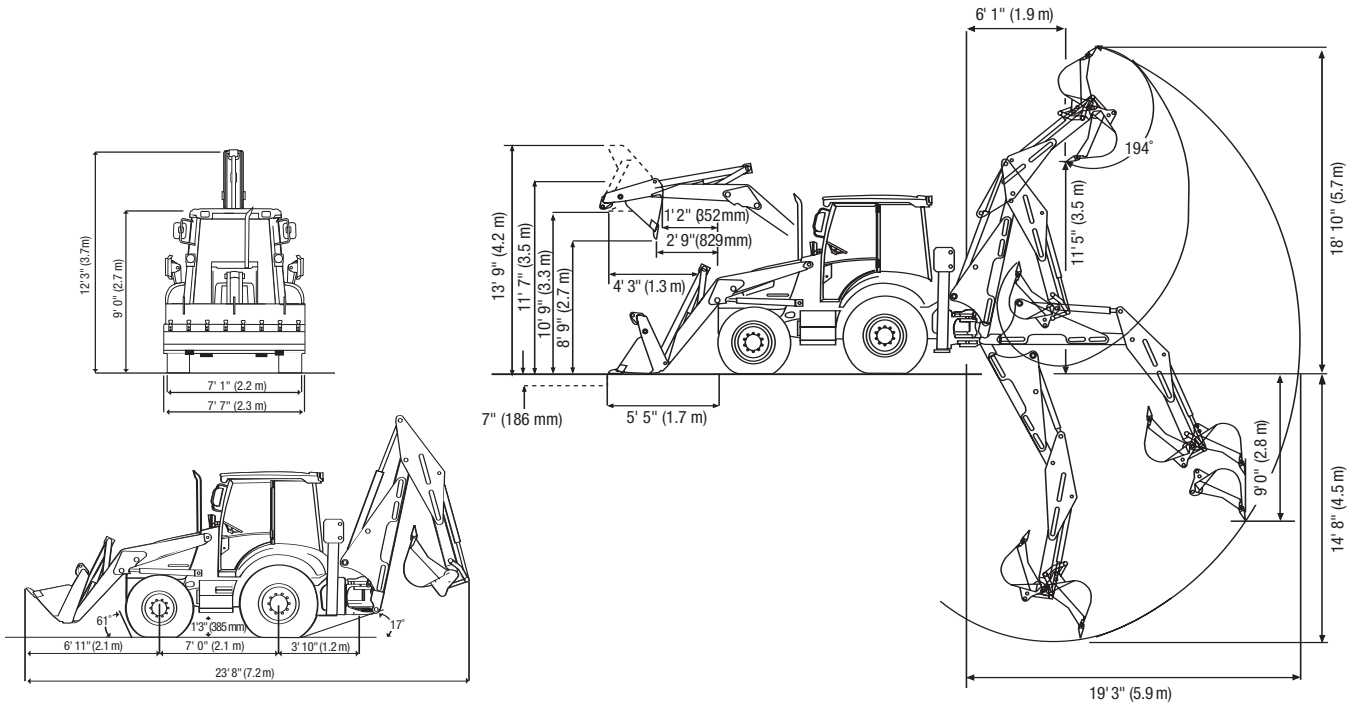


| Weight Configurations | |
|---|----------------------|
| Total machine weight | 15,151 lbs (6887 kg) |
| Add/delete the following weights to the base machine: | |
| 7-in-1 Multi-Purpose | + 726 lbs (330 kg) |
| 7-in-1 Multi-Purpose Fork Kit | + 330 lbs (150 kg) |
| Deep Dig Dipper | + 477 lbs (217 kg) |
| ROPS Frame | - 422 lbs (192 kg) |
| 2 WD | - 176 lbs (80 kg) |
| Front Counterweight | + 605 lbs (275 kg) |

| Loader Dimensions | | |
|-----------------------------------|-----------------|------------------|
| | Standard Bucket | 7-in-1 Bucket |
| Dump clearance at 45° | 8' 9" (2.68 m) | 8' 9" (2.68 m) |
| Dump height (fully dumped) | 8' 6" (2.56 m) | 8' 6" (2.60 m) |
| Load over height | 10' 9" (3.28 m) | 10' 9" (3.28 m) |
| Hinge pin height | 11' 7" (3.52 m) | 11' 7" (3.52 m) |
| Pin forward reach | 1' 2" (352 mm) | 1' 2" (352 mm) |
| Reach at ground | 5' 5" (1.65 m) | 5' 5" (1.65 m) |
| Max. reach at full height | 4' 3" (1.28 m) | 4' 3" (1.28 m) |
| Reach at full height - 45° | 2' 9" (829 mm) | 2' 9" (829 mm) |
| Reach at full height fully dumped | 2' 1" (645 mm) | 2' 1" (645 mm) |
| Dig depth | 7" (186 mm) | 7" (186 mm) |
| Rollback at ground | 45° | 45° |
| Max dump angle | 57° | 57° |
| Overall operating height | 13' 9" (4.20 m) | 13' 11" (4.25 m) |

| Loader Performance | | |
|------------------------------|------------------------|------------------------|
| | Standard Bucket | 7-in-1 Bucket |
| Bucket breakout | 10,485 lbf (4,756 kgf) | 10,097 lbf (4,580 kgf) |
| Arms breakout | 9,597 lbf (4,685 kgf) | 9,597 lbf (4,345 kgf) |
| Lift capacity to full height | 7,604 lbf (3,449 kgf) | 6,742 lbf (3,058 kgf) |

Working Ranges



Backhoe Dimensions

| | Standard Dipper | Deep Dig Dipper (Ret.) | Deep Dig Dipper (Ext.) |
|----------------------------------|---------------------------|---------------------------|---------------------------|
| Dig depth SAE | 14' 8" (4.46 m) | 14' 8" (4.46 m) | 19' 3" (5.86 m) |
| 2 ft (0.61 m) flat bottom SAE | 14' 7" (4.45 m) | 14' 7" (4.45 m) | 19' 0" (5.80 m) |
| Reach ground level to swing post | 19' 3" (5.87 m) | 19' 3" (5.87 m) | 23' 5" (7.14 m) |
| Loading reach | 6' 1" (1.86 m) | 6' 1" (1.86 m) | 9' 2" (2.79 m) |
| Operating height | 18' 10" (5.75 m) | 18' 10" (5.75 m) | 22' 1" (6.73 m) |
| Loading height SAE | 11' 5" (3.48 m) | 11' 5" (3.48 m) | 14' 8" (4.46 m) |
| Maximum load height | 12' 3" (3.74 m) | 12' 3" (3.74 m) | 15' 6" (4.72 m) |
| Maximum straight wall dig depth | 9' 0" (2.75 m) | 9' 0" (2.75 m) | 13' 6" (4.11 m) |
| Bucket rotation | | | |
| Speed | 194° | 194° | 194° |
| Power | 163° | 163° | 163° |
| Side reach from stabilizers | 12' 10" (3.91 m) | 12' 10" (3.91 m) | 17' 0" (5.18 m) |
| Stabilizer spread | 11' 3" (3.43 m) | 11' 3" (3.43 m) | 11' 3" (3.43 m) |
| Maximum leveling angle | 15° | 15° | 15° |
| Backhoe Performance | | | |
| Swing torque | 11,875 lbf-ft (16,100 Nm) | 11,875 lbf-ft (16,100 Nm) | 11,875 lbf-ft (16,100 Nm) |
| Dipper tearout | 8,329 lbf (3,778 kgf) | 8,329 lbf (3,778 kgf) | 5,580 lbf (2,531 kgf) |
| Bucket tearout | | | |
| Speed | 11,636 lbf (5,278 kgf) | 11,636 lbf (5,278 kgf) | 11,636 lbf (5,278 kgf) |
| Power | 14,445 lbf (6,552 kgf) | 14,445 lbf (6,552 kgf) | 14,445 lbf (6,552 kgf) |

Tractor Loader Backhoe TX760B

Attachments / Accessories

| Loader Attachments | | |
|--------------------|--|--|
| | Standard Bucket | 7-in-1 Bucket |
| Width | 7' 7" (2.31 m) | 7' 7" (2.31 m) |
| Capacity | 1.32 yd ³ (1.0 m ³) | 1.32 yd ³ (1.0 m ³) |
| Weight | 880 lbs (400 kg) | 1,606 lbs (730 kg) |

| Forks (Bucket Mounted) | |
|---------------------------|----------------------|
| Fork length | 3' 6" (1.07 m) |
| Section width | 3" (80 mm) |
| Assembly weight | 330 lbs (150 kg) |
| Max. operating height | 10' 2" (3.09 m) |
| Reach at ground level | 8' 11" (2.71 m) |
| Reach at full height | 7' 4" (2.23 m) |
| S.W.L. at 20" load center | 2,204 lbs (1,000 kg) |

Backhoe Lifting Performance

| Bucket Pin HT | BOOM LIFT | | | DIPPER LIFT | | | CRANING LIFT | | |
|----------------------|---------------|---------------|---------------|---------------|---------------|---------------|---------------|---------------|---------------|
| | Extending | | | Extending | | | Extending | | |
| Above/Below lbs (kg) | Std | Ret | Ext | Std | Ret | Ext | Std | Ret | Ext |
| Ground | | | | | | | | | |
| +18' | - | - | - | - | - | - | - | - | 2,840 (1,288) |
| +16' | - | - | 1,830 (830.1) | - | - | 2,346 (1064) | - | - | 2,840 (1,288) |
| +14' | 3,126 (1,418) | 2,877 (1,305) | 1,889 (856.8) | 3,814 (1,730) | 3,752 (1,418) | 2,152 (976) | 4,314 (1,956) | 4,295 (1,948) | 2,813 (1,276) |
| +12' | 3,212 (1,457) | 2,895 (1,313) | 1,975 (895.8) | 3,404 (1,544) | 3,131 (1,418) | 1,995 (904) | 3,999 (1,813) | 3,909 (1,773) | 2,791 (1,266) |
| +10' | 3,212 (1,457) | 2,800 (1,270) | 1,947 (883.1) | 3,307 (1,500) | 2,932 (1,418) | 1,896 (860) | 3,924 (1,779) | 3,873 (1,756) | 2,791 (1,266) |
| +8' | 3,164 (1,435) | 2,760 (1,251) | 1,914 (868.2) | 3,466 (1,572) | 3,051 (1,418) | 1,995 (904) | 3,955 (1,794) | 3,909 (1,773) | 2,892 (1,311) |
| +6' | 3,029 (1,373) | 2,685 (1,217) | 1,914 (868.2) | 4,012 (1,819) | 3,638 (1,418) | 2,385 (1,081) | 4,630 (2,100) | 4,418 (2,004) | 3,225 (1,462) |
| +4' | 2,952 (1,339) | 2,579 (1,169) | 1,914 (868.2) | - | - | 2,914 (1,321) | - | - | 3,713 (1,684) |
| +2' | 2,857 (1,296) | 2,463 (1,117) | 1,909 (865.9) | - | - | 3,876 (1,758) | - | - | 4,301 (1,950) |
| 0 | 2,743 (1,244) | 2,425 (1,100) | 1,799 (816.0) | - | - | 4,398 (1,994) | - | - | 4,967 (2,253) |
| -2' | 2,703 (1,226) | 2,394 (1,085) | 1,786 (810.1) | - | - | - | - | - | - |
| -4' | 2,646 (1,200) | 2,463 (1,117) | 1,786 (810.1) | - | - | - | - | - | - |
| -6' | 2,690 (1,220) | 2,482 (1,125) | 1,786 (810.1) | - | - | - | - | - | - |
| -8' | 2,866 (1,300) | 2,531 (1,148) | 2,072 (939.8) | - | - | - | - | - | - |
| -10' | - | 2,584 (1,172) | 2,315 (1,050) | - | - | - | - | - | - |

1. Figures stated apply within 90° either side of machine.
2. Figures stated are determined by static tests and do not include dynamic factors.
3. Figures stated are without bucket fitted.

4. Boom is angled at 78° for dipper lift capacities.
5. Loader bucket is on ground.
6. Crane capacity determined with hydraulic boom lock-up feature selection.



TEREX Construction Americas

8800 Rostin Road
Southaven, MS 38671
USA

TEL 662-393-1800
SALES 866-837-3923
PARTS & TECH SUPPORT 888-201-6008
FAX 662-393-1700
EMAIL sales@terexca.com
WEB terexca.com

For more information, product demonstration, or details on purchase, lease and rental plans, please contact your local TEREX Distributor.