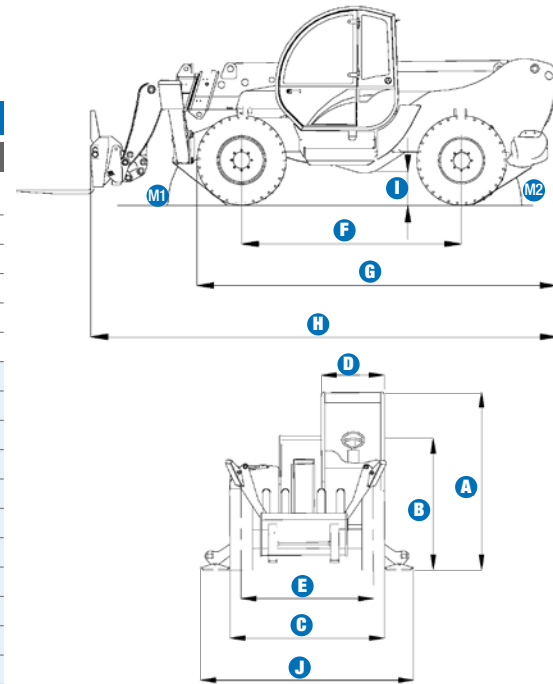


## Specifications

MODEL		GTH™-4010	
MEASUREMENTS	Metric	Imperial	
Lifting height maximum	9.82 m	32 ft 3 in	
Lifting capacity maximum	4,000 kg	8,818 lbs	
Lift capacity at maximum height	3,500 kg	7,715 lbs	
Lift capacity at maximum reach	2,500 kg	5,511 lbs	
Forward reach maximum	6.07 m	19 ft 11 in	
Reach at maximum height	65 cm	2 ft 2 in	
<b>A</b> Height	2.41 m	7 ft 11 in	
<b>B</b> Height at steering wheel	1.65 m	5 ft 5 in	
<b>C</b> Width	2.25 m	7 ft 5 in	
<b>D</b> Inside cab width	78 cm	2 ft 7 in	
<b>E</b> Track	1.85 m	6 ft 1 in	
<b>F</b> Wheelbase	2.75 m	9 ft	
<b>G</b> Length at front wheels	4.39 m	14 ft 5 in	
<b>H</b> Length at fork-holder plate	6.06 m	19 ft 11 in	
<b>I</b> Ground clearance	40 cm	1 ft 4 in	
<b>J</b> Overall width, stabilisers extended	2.93 m	9 ft 7 in	
<b>M1</b> Obstruction angle	32°	32°	
<b>M2</b> Departure angle	31°	31°	



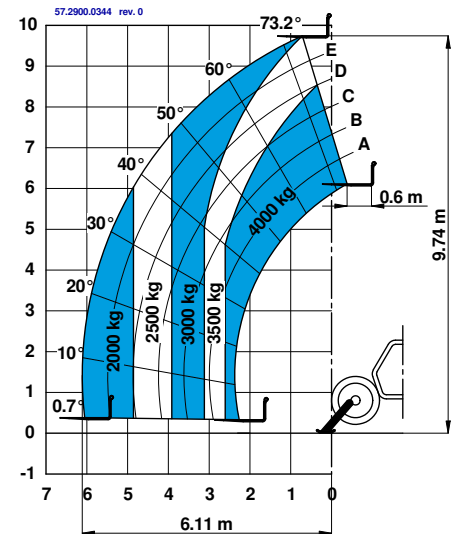
PRODUCTIVITY		
Inside/outside turning radius	1.8 m/3.85 m	5 ft 11 in/12 ft 8 in
Break out force (with 800L shovel SAE J 732/80)	5,500 kg	12,124 lbs
Towing capacity at dynamometer	TBC	TBC
Travel speed	TBC	TBC
Fork-holder plate rotation	128°	128°
Floating forks	L 1200 mm Section 120x45 mm	L 3 ft 11 in Section 5 in x 1.77 in
Tyres (DIN 70361)	405/70-20" PR14 8 holes wheel disc	
Lifting/lowering speed	13 sec/8 sec	13 sec/8 sec
Extension/retraction speed	20 sec/24 sec	20 sec/24 sec

POWER		
Engine	Deutz TD2011 L04W 4-cylinder Turbo Diesel 91 hp (68 kW), Tier 3	
Tank capacities		
Fuel	90 L	20 gal
Engine oil	10 L	2 gal
Hydraulic oil	80 L	17.5 gal
Hydraulic output/pressure	87 L/min-280 bars	19 gal/min-4,061 psi

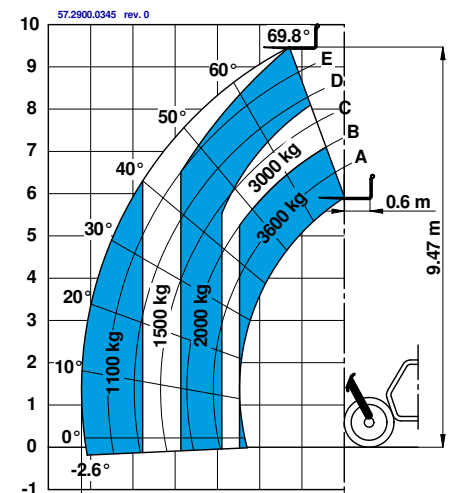
WEIGHT		
Weight*	9,300 kg	20,501 lbs

STANDARDS COMPLIANCE	Operating cab conforms to ISO3471 (ROPS) and ISO3449 (FOPS) Low emission engine conforms to UE 97/68 directives. GOST R 50950-96
----------------------	--

\* Weight will vary depending on options and/or country standards



Lift capacity chart (with stabilisers)



Lift capacity chart (without stabilisers)  
EN1459, Annex B

# Features

## STANDARD FEATURES

### MEASUREMENTS

- 4,000 kg (8,818 lb) maximum lift capacity
- 9.82 m (32 ft 3 in) maximum lift height
- 6.07 m (19 ft 11 in) maximum forward reach

### PRODUCTIVITY

- 4 x 4
- 4 - wheel steer
- 3 steering modes:
  - front wheel steer
  - crab steer
  - coordinated steer
- Power assisted steering
- Front stabilisers
- Hydrostatic transmission with variable displacement pump and motor
- Two-speed mechanical gearbox
- Hydraulic proportional distributor
- Multifunction 4 x 1 joystick
- Limited slip differential on front axle
- Floating forks
- Attachment holder plate with mechanical coupling
- Door with two sections: steel on bottom, glass on top. Both sections open separately
- Boom length and boom angle indicators correspond to the load charts
- Adjustable suspended seat
- Large diameter steering wheel
- Front & rear windscreen wipers
- Sunshield
- Roof protection grid inside cabin
- Front & rear lights
- Side mounted engine for easy access to components
- Oil immersed, multi-disc brakes on rear axles
- Lockable fuel tank
- Longitudinal stability control system with load monitor
- Visible display with coloured LEDs
- Audible alarm
- Automatic lock-out of boom extension and lowering
- Lockout of stabilisers and chassis levelling with boom raised and/or boom extended
- Maintenance collar

## STANDARD FEATURES

### POWER

- Deutz Turbo Diesel 60 kW (81.5 HP)

### TYRES

- 405/70-20" tyres

## OPTIONS & ACCESSORIES

### PRODUCTIVITY

- Air conditioning
- Second hydraulic line on boom
- Windshield protection grid
- Additional rear view mirror
- Adjustable spotlight on cab
- Adjustable spotlight on boom
- Hydraulic quick coupling for attachments
- Concrete mixing bucket pre-arrangement
- Hydraulic inching
- 6-ton towing hitch
- 10-ton hydraulic jack 10 ton and 24 mm wheel nut wrench
- Spare wheel 405/70-24"PR14
- Foam filled tyres

### ATTACHMENT OPTIONS

- Loading shovel 800 L
- Light material loading shovel 2000 L
- Concrete bucket 500/800 L manual/hydraulic discharge
- Concrete mixing bucket 500 L with remote control
- Fork side-shift (+/- 100 mm)
- FEM 3 plate and forks kit
- Fixed hook on plate
- 2 m jib, 2000 kg capacity
- Brick-holder basket
- Hydraulic winch 3000 kg

## UK

Millennium House  
Brunel Drive  
Newark NG24 2DE  
UK  
Tel: +44 (0)1476 584333  
Fax: +44 (0)1476 584334

## France

10, ZA de la Croix St. Mathieu  
28320 Gallardon  
France  
Tel: +33 (0)2 37 26 09 99  
Fax: +33 (0)2 37 26 09 98

## Germany

Finienweg 3  
28832 Achim/Bremen  
Germany  
Tel: +49 (0)4202 8852-0  
Fax: +49 (0)4202 8852-25

## Spain

Gaià 31, Pol. Ind. Plá d'en Coll  
08110 Montcada i Reixac  
Barcelona  
Spain  
Tel: +34 93 572 50 90  
Fax: +34 93 572 50 91

## Scandinavia

Importgatan 17  
422 46 Hisings Backa  
Sweden  
Tel: +46 31 57 51 00  
Fax: +46 31 57 90 20

## Middle East

Terex Middle East  
PO Box 282325, Dubai  
U.A.E.  
Tel: +971 4 339 1800  
Fax: +971 4 339 1802  
Email: InfoME@terex.com

## Genie United States

18340 NE 76th Street  
P.O. Box 97030  
Redmond, WA  
USA 98073-9730  
Tel: +1 425 881-1800  
Fax: +1 425 883-3475

**Email:** AWP-InfoEurope@terex.com

**Distributed By:**