

SKID STEER LOADER

PRELIMINARY
SPECS



Specifications

Operating Weight	6986 lbs (3169 kg)
Horsepower	60 hp (44.7 kw)
Height to Bucket pin	118 in (2997 mm)
Dump Reach at Bucket Discharge	30 in (762 mm)

Features

- ▶ Vertical lift path ideal for loading and pick and carry applications
- ▶ Robust chassis with 10.5" of ground clearance* and a 28.4° angle of departure, able to work on soft, uneven terrain and slopes where other skid steers can't
- ▶ Easy operation with standard pilot-operated joystick controls and comfortable operator station
- ▶ Standard mechanical faced axle seals protect bearings, reducing maintenance and downtime
- ▶ Tilt-up ROPS and tilt-out coolers make daily maintenance checks quick and easy
- ▶ Available 2-speed option with 12 mph top speed for enhanced productivity

* Unloaded

WORKS FOR YOU.™

SPECIFICATIONS

OPERATING SPECIFICATIONS

Loader Arms	Vertical
Operating Weight	6986 lbs (3169 kg)
Shipping Weight	6261 lbs (2840 kg)
Tipping Load	4000 lbs (1814 kg)
Operating Capacity	2000 lbs (907 kg)
Operating Capacity (with optional counter weight)	2200 lbs (998 kg)
Maximum Travel Speed	7.4 mph (11.9 kph)
Maximum Travel Speed (with optional 2-speed transmission)	12 mph (19 kph)
Height to Bucket Pin	118 in (2997 mm)
Dump Height at Bucket Discharge	86.9 in (2207 mm)
Dump Reach at Bucket Discharge	30 in (762 mm)
Max Dump Angle at Full Height	48.3°
Bucket Breakout Force	3900 lbs (1769 kg)
Arm Lifting Force	4000 lbs (1814 kg)
Rear Angle of Departure	28.4°
Bucket Roll Back at Ground Level	26.7°
Ground Clearance	
Unloaded	10.5 in (266.7 mm)
Loaded	10 in (254 mm)
Overall Length with Bucket	136.4 in (3464 mm)

ENGINE

Type	Diesel, 4-cylinder, Naturally Aspirated
Model	Perkins 404D-22T
Displacement	134 in ³ (2.2 L)
Gross Horsepower Rating @ 2800 rpm	60 hp (44.7 kw)
Torque Peak	140 ft-lb (190 Nm)
Cooling System	Engine-driven Fan and Coolant/Antifreeze Filled Radiator
Engine Block Heater	Standard, AC Plug-in Type
Intake Air Cleaner	Dual Stage
Emissions Controls	Meets All U.S. EPA interim Tier 4 Standards

DRIVE TRAIN

Drive System	Hydrostatic
Chain Case	Bow Tie Drive System
Chain Size	80 K ANSI chain
Wheel Size	10X16.5
Width Over Tires	66.5 in (1689 mm)
Wheel Base	40.6 in (1031 mm)



SERVICE CAPACITIES

Fuel Tank	25 gal (94.6 L)
Hydraulic Tank	8 gal (30.2L)
Engine Coolant/Antifreeze	3.5 gal (13 L)
Engine oil, including filter	11.2 qts (10.6 L)

AUXILIARY HYDRAULIC SYSTEM

Maximum System Pressure	3335 psi (230 bar)
Controls	Pilot Hydraulic Joystick
Couplers	3/4" Flat Faced
Auxiliary Pump Flow	17.1 gpm (65 lpm)
Optional Flow	28 gpm (106 lpm)

ELECTRICAL SYSTEM

Normal Charge	12V
Battery	950 CCA
Charging System	65 Amp Alternator
Outlets	1-12V Port Inside Operator Station

OPERATOR STATION

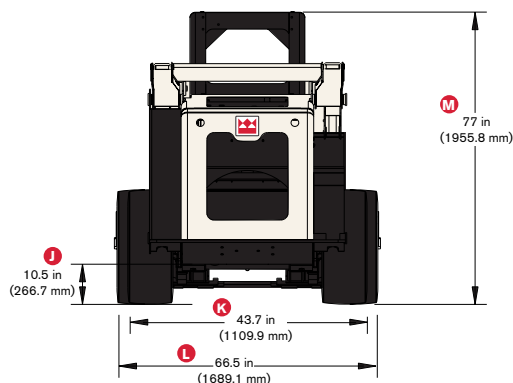
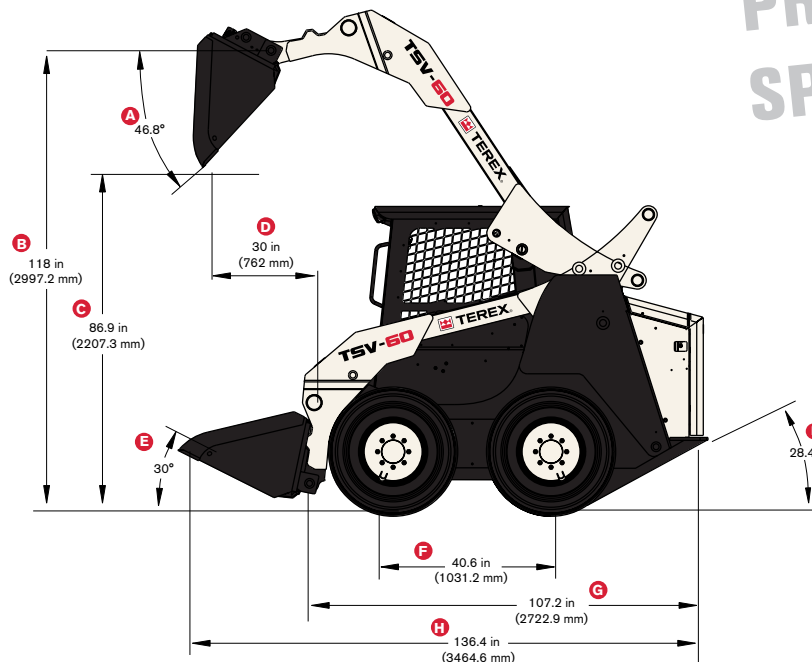
Seat: Standard seat with an optional adjustable suspension seat available.	
Loader Control: Right-hand pilot hydraulic joystick controls loader lift/tilt, with intermittent control of auxiliary hydraulics.	
Drive Control: Left-hand pilot hydraulic joystick controls machine speed and direction.	
Engine Speed Control	Foot Throttle
Indicators/Gauges	Fuel Tachometer Engine Temperature Hour Meter Battery Two speed Oil Level Hydraulic Temperature Water Temperature
ROPS/FOPS	Meets ISO 3471:2008 ISO6683:2005 ISO 3449:2005 Level 1
Illumination	2 Forward Facing Lights 2 Rear Facing Lights



TEREX®

DIMENSIONS: GENERAL PURPOSE BUCKET

PRELIMINARY
SPECS



MEASUREMENTS

A	Dump Angle	H	Overall Length with Bucket
B	Height to Hinge Pin	I	Rear Angle of Departure
C	Height to Bucket Discharge	J	Unloaded Ground Clearance [10 in (254 mm) Loaded]
D	Reach at Full Height	K	Width Between Tires with Rims Reversed
E	Bucket Rollback at Ground Level	L	Width Between Tires
F	Wheel Base	M	Overall Height to Top of ROPS
G	Overall Length without Bucket		

OPTIONAL EQUIPMENT

OPTIONAL ATTACHMENTS

Auger Drive And Bits	Brush Cutter, Rotary	Snow Blower
Backhoe	Dozer Blade	Stump Grinder
Broom, Rotary	Grapple Bucket	Trencher
Bucket, General Purpose	Pallet Forks	Vibratory Roller
Bucket, Light Material	Power Box Rake	Eliminator Rake
Bucket, Multi-Purpose	Snow Blade	

Additional attachments available upon request.

PRELIMINARY
SPECS

www.terex.com

Effective Date: January 2011. Product specifications and prices are subject to change without notice or obligation. The photographs and/or drawings in this document are for illustrative purposes only. Refer to the appropriate Operator's Manual for instructions on the proper use of this equipment. Failure to follow the appropriate Operator's Manual when using our equipment or to otherwise act irresponsibly may result in serious injury or death. The only warranty applicable to our equipment is the standard written warranty applicable to the particular product and sale and Terex makes no other warranty, express or implied. Products and services listed may be trademarks, service marks, or trade names of Terex Corporation and/or its subsidiaries in the USA and other countries. All rights are reserved. Terex is a registered trademark of Terex Corporation in the USA and many other countries. © 2011 Terex Corporation.

Terex Construction 8800 Rostin Road, Southaven, MS 38671 USA
Tel +1 (888) 90-TEREX www.terex.com



WORKS FOR YOU.™

TSV60 0111 PN 280230